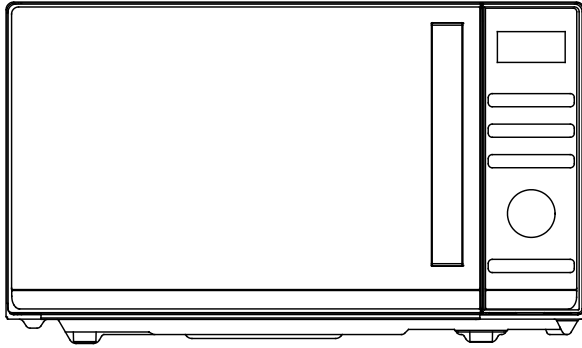


Microwave Oven Instructions



Model: CMGA25TNDB

Please read these instructions carefully before installing and operating the oven.

CONTENT

CONTENT	1
PRECAUTIONS TO AVOID POSSIBLE EXPOSURE TO EXCESSIVE MICROWAVE ENERGY	2
IMPORTANT SAFETY INSTRUCTIONS	2
INSTALLATION GUIDE	5
GROUNDING INSTRUCTIONS	5
RADIO INTERFERENCE	6
BEFORE CALLING FOR SERVICE	6
COOKING TECHNIQUES	7
COOKING UTENSILS GUIDE	7
SPECIFICATIONS	8
PRODUCT DIAGRAM	8
CONTROL PANEL	9
OPERATION INSTRUCTIONS	10
SETTING CLOCK TIME	10
EXPRESS COOKING.....	10
MICROWAVE COOKING.....	10
TIME DEFROST.....	11
WEIGHT DEFROST	11
GRILL	11
COMBINATION.....	12
AUTO CLEAN	12
CHILD LOCK.....	12
AUTO COOK	12
CLEANING AND CARE	15

PRECAUTIONS TO AVOID POSSIBLE EXPOSURE TO EXCESSIVE MICROWAVE ENERGY

1. Do not attempt to operate this oven with the door open since open-door operation can result in harmful exposure to microwave energy. It is important not to defeat or tamper with the safety interlocks.
2. Do not place any object between the oven front face and the door or allow soil or cleaner residue to accumulate on sealing surfaces.
3. Do not operate the oven if it is damaged. It is very important that the oven door close properly and that there is no damage to the
 - a) Door (including any bent),
 - b) Hinges and latches (broken or loosened),
 - c) Door seals and sealing surfaces.
4. The oven should not be adjusted or repaired by anyone except qualified service personnel.

IMPORTANT SAFETY INSTRUCTIONS

When using electrical appliance basic safety precautions should be followed, including the following:

WARNING!--To reduce the risk of burns, electric shock, fire, injury to persons or exposure to excessive microwave energy:

1. Read all instructions before using the appliance and keep for future reference.
2. Use this appliance only for its intended use as described in the manual. Do not use corrosive chemicals or vapors in this appliance. This type of oven is specifically designed to heat, cook or dry food. It is not designed for industrial or laboratory use.
3. Do not operate the oven when empty.
4. Do not operate this appliance if it has a damaged cord or plug, if it is not working properly, or if it has been damaged or dropped. If the supply cord is damaged, it must be replaced by the manufacturer or its service agent or a similarly qualified person in order to avoid a hazard.
5. **WARNING!**--Only allow children to use the oven without supervision when adequate instructions have been given so that the child is able to use the oven in a safe way and understands the hazards of improper use.

6. **WARNING!**--When the appliance is operated in the combination mode, children should only use the oven under adult supervision due to the temperatures generated
7. To reduce the risk of fire in the oven cavity:
 - When heating food in plastic or paper container, keep an eye on the oven due to the possibility of ignition.
 - Remove wire twist-ties from paper or plastic bags before placing bag in oven.
 - If smoke is observed, switch off or unplug the appliance and keep the door closed in order to stifle any flames.
 - Do not use the cavity for storage purposes. Do not leave paper products, cooking utensils, or food in the cavity when not in use.
 - The microwave oven is intended for heating food and beverages. Drying of clothing and heating of warming pads, slippers, sponges, damp cloth and similar may lead to risk of injury, ignition or fire.
8. **WARNING!**--Liquid or other food must not be heated in sealed containers since they are liable to explode.
9. Microwave heating of beverage can result in delayed eruptive boiling, therefore care has to be taken when handle the container.
10. Do not fry food in the oven. Hot oil can damage oven parts and utensils and even result in skin burns.
11. Eggs in their shell and whole hard-boiled eggs should not be heated in microwave ovens since they may explode even after microwave heating has ended.
12. Pierce foods with heavy skins such as potatoes, whole squashes, apples and chestnuts before cooking.
13. The contents of feeding bottles and baby jars should be stirred or shaken and the temperature should be checked before serving in order to avoid burns.
14. Cooking utensils may become hot because of heat transferred from the heated food. Potholders may be needed to handle the utensil.
15. Utensils should be checked to ensure that they are suitable for use in microwave oven.
16. **WARNING!**--It is hazardous for anyone other than a trained person to carry out any service or repair operation which involves the removal of any cover which gives protection against exposure to microwave energy.
17. This Microwave complies with EN 55011/CISPR 11, in this standard it belong to Class B Group 2 classification. Group 2 equipment: group 2 contains all ISM RF equipment in which radio-frequency energy in the frequency range 9 kHz to 400 GHz is intentionally generated and used or only used locally, in the form of electromagnetic radiation, inductive and/or capacitive coupling, for the treatment of

material, for inspection/analysis purposes, or for transfer of electromagnetic energy. Class B equipment is equipment suitable for use in locations in residential environments and in establishments directly connected to a low voltage power supply network which supplies buildings used for domestic purposes.

18. This appliance is not intended for use by persons (including children) with reduced physical, sensory or mental capabilities, or lack of experience and knowledge, unless they have been given supervision or instruction concerning use of the appliance by a person responsible for their safety.
19. Children should be supervised to ensure that they do not play with the appliance.
20. The microwave oven is only used in freestanding.
21. **WARNING!**--Do not install oven over a range cook top or other heat-producing appliance. if installed could be damaged and the warranty would be avoid .
22. The microwave oven shall not be placed in a cabinet.
23. The door or the outer surface may get hot when the appliance is operating.
24. **WARNING!**--Accessible parts may become hot during use. Young children should be kept away.
25. During use the appliances becomes hot. Care should be taken to avoid touching heating elements inside the oven, for cooking ranged and ovens.
26. The temperature of accessible surfaces may be high when the appliance is operating.
27. Appliance is not to be used by children or persons with reduced physical, sensory or mental capabilities, or lack of experience and knowledge, unless they have been given supervision or instruction.
28. **WARNING!**--If the door or door seals are damaged, the oven must not be operated until it has been repaired by a competent person.
29. The appliances are not intended to be operated by means of an external timer or separate remote-control system.
30. The microwave oven is for household use only and not for commercial use.
31. Never remove the distance holder in the back or on the sides, as it ensures a minimum distance from the wall for air circulation.
32. Please secure the turntable before you move the appliance to avoid damages.
33. **CAUTION!**--It is dangerous to repair or maintain the appliance by no other than a specialist because under these circumstances the cover have to be removed which assures protection against microwave radiation. This applies to changing the power cord or the lighting as well. Send the appliance in these cases to our service centre.
34. The microwave oven is intended for defrosting, cooking and steaming of food only.
35. Use gloves if you remove any heated food.
36. Caution! Steam will escape, when opening lids or wrapping foil.

37. This appliance can be used by children aged from 8 years and above and persons with reduced physical, sensory or mental capabilities or lack of experience and knowledge if they have been given supervision or instruction concerning use of the appliance in a safe way and understand the hazards involved. Children shall not play with the appliance. Cleaning and user maintenance shall not be made by children unless they are aged from 8 years and above and supervised.
38. If smoke is emitted, switch off or unplug the appliance and keep the door closed in order to stifle any flames.

INSTALLATION GUIDE

1. Make sure that all the packing materials are removed from the inside of the door.
2. **WARNING!**--Check the oven for any damage, such as misaligned or bent door, damaged door seals and sealing surface, broken or loose door hinges and latches and dents inside the cavity or on the door. If there is any damage, do not operate the oven and contact qualified service personnel.
3. This microwave oven must be placed on a flat, stable surface to hold its weight and the heaviest food likely to be cooked in the oven.
4. Do not place the oven where heat, moisture, or high humidity are generated, or near combustible materials.
5. For correct operation, the oven must have sufficient airflow. Allow minimum 20cm of free space necessary above the top surface of the oven and 5cm at both sides. The microwave oven rear plate must be placed close to the wall. Do not cover or block any openings on the appliance. Do not remove feet.
6. Do not operate the oven without glass tray, roller support, and shaft in their proper positions.
7. Make sure that the power supply cord is undamaged and does not run under the oven or over any hot or sharp surface.
8. The socket must be readily accessible so that it can be easily unplugged in an emergency.
9. Do not use the oven outdoors.

GROUNDING INSTRUCTIONS

This appliance must be grounded. This oven is equipped with a cord having a grounding wire with a grounding plug. It must be plugged into a wall receptacle that is properly installed and grounded. In the event of an electrical short circuit, grounding reduces risk of electric shock by providing an escape wire for the electric current. It is

recommended that a separate circuit serving only the oven be provided. Using a high voltage is dangerous and may result in a fire or other accident causing oven damage.

WARNING!--Improper use of the grounding plug can result in a risk of electric shock.

Note:

1. If you have any questions about the grounding or electrical instructions, consult a qualified electrician or service person.
2. Neither the manufacturer nor the dealer can accept any liability for damage to the oven or personal injury resulting from failure to observe the electrical connection procedures.

The wires in this cable main are colored in accordance with the following code:

Green and Yellow = EARTH

Blue = NEUTRAL

Brown = LIVE

RADIO INTERFERENCE

Operation of the microwave oven can cause interference to your radio, TV, or similar equipment. When there is interference, it may be reduced or eliminated by taking the following measures:

1. Clean door and sealing surface of the oven.
2. Reorient the receiving antenna of radio or television.
3. Relocate the microwave oven with respect to the receiver.
4. Move the microwave oven away from the receiver.
5. Plug the microwave oven into a different outlet so that microwave oven and receiver are on different branch circuits.

BEFORE CALLING FOR SERVICE

Before asking for service, please check each item below:

- Check to ensure the oven is plugged in securely. If not, remove the plug from the outlet, wait 10 seconds, and plug it in again securely.
- Check for a blown circuit fuse or a tripped main circuit breaker. If these seem to be operating properly, test the outlet with another appliance.
- Check to ensure the control panel is programmed correctly and the timer is set.
- Check to ensure the door is securely closed, engaging the door lock system. If the door is not properly closed, the microwave energy will not flow inside.

IF NONE OF THE ABOVE RECTIFIES THE SITUATION, THEN CONTACT A QUALIFIED TECHNICIAN. DO NOT TRY TO ADJUST OR REPAIR THE OVEN

COOKING TECHNIQUES

1. Arrange food carefully. Place thickest areas towards outside of dish.
2. Watch cooking time. Cook for the shortest amount of time indicated and add more as needed. Food severely overcooked can smoke or ignite.
3. Cover foods while cooking. Covers prevent spattering and help foods to cook evenly.
4. Turn foods over once during microwave cooking to speed cooking of such foods as chicken and hamburgers. Large items like roasts must be turned over at least once.
5. Rearrange foods such as meatballs halfway through cooking both from top to bottom and from the center of the dish to the outside.

COOKING UTENSILS GUIDE

1. Microwave cannot penetrate metal. Only use utensils that are suitable for use in microwave ovens. Metallic containers for food and beverages are not allowed during microwave cooking. This requirement is not applicable if the manufacturer specifies size and shape of metallic containers suitable for microwave cooking.
2. Microwave cannot penetrate metal, so metal utensils or dishes with metallic trim should not be used.
3. Do not use recycled paper products when microwave cooking, as they may contain small metal fragments which may cause sparks and/or fires.
4. Round /oval dishes rather than square/oblong ones are recommend, as food in corners tends to overcook.
5. Narrow strips of aluminum foil may be used to prevent overcooking of exposed areas. But be careful don't use too much and keep a distance of 1 inch (2.54cm) between foil and cavity.

The list below is a general guide to help you select the correct utensils.

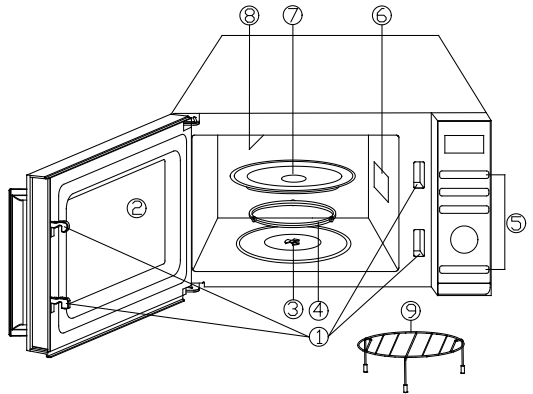
COOKWARE	MICROWAVE	GRILL	COMBINATION
Heat-Resistant Glass	Yes	Yes	Yes
Non Heat-Resistant Glass	No	No	No
Heat-Resistant Ceramics	Yes	Yes	Yes
Microwave-Safe Plastic Dish	Yes	No	No
Kitchen Paper	Yes	No	No
Metal Tray	No	Yes	No
Metal Rack	No	Yes	No
Aluminum Foil & Foil Containers	No	Yes	No

SPECIFICATIONS

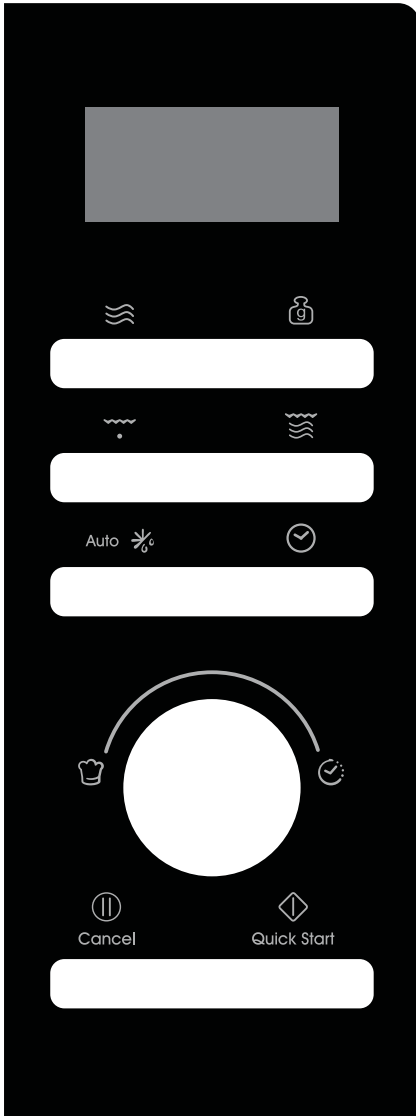
Power Consumption:	230-240V/50Hz, 1400W(Microwave)
	1000W(Grill)
Rated Microwave Power Output:	900W
Operation Frequency:	2450MHz
Outside Dimensions:	281mm(H)×483mm(W)×420mm(D)
Oven Cavity Dimensions:	220mm(H)×340mm(W)×344mm(D)
Oven Capacity:	25Litres
Net Weight:	Approx.14.1kg

PRODUCT DIAGRAM

1. Door Safety Lock System
2. Oven Window
3. Shaft
4. Roller Ring
5. Control Panel
6. Wave Guide
(Please do not remove the mica plate covering the wave guide)
7. Glass Tray
8. Grill Heater
9. Metal Rack



CONTROL PANEL



- **MENU ACTION SCREEN**

Cooking time, power, action indicators are displayed.

- **POWER** 

Press to set microwave cooking power level.

- **WEIGHT ADJUST** 

Press to set food weight or servings.

- **GRILL** 

Press to set grill cooking program.

- **COMBINATION** 

Press to set combination program.

- **AUTO DEFROST** Auto 

Press once to defrost food based on time.

Press twice to defrost food based on weight.

- **CLOCK** 

Press to set clock time.

- **MENU/TIME(dial)**  

Turn dial to set time.

Turn dial to select auto cooking menu.

- **PAUSE/CANCEL**  Cancel


Press once to temporarily stop cooking, or twice to cancel cooking altogether.

- **START/QUICK START**  Quick Start

Press to start cooking and defrosting programs.

Simply press it a number of times to set cooking time and cook immediately at full power level.

OPERATION INSTRUCTIONS

- When the oven first plugged in, a beep will sound and the display will show "1:01", .
- In the process of setting, broke about 25 seconds the oven will return to standby mode.
- During cooking, if press PAUSE/CANCEL button once, the program will be paused, then press START/QUICK START button to resume. But if press PAUSE/CANCEL button twice, the program will be cancelled.
- After cooking end, the display will show End and beep will sound every two minutes until user press PAUSE/CANCEL button or open the door.
- In the process of operation, press a valid button, the buzzer rings once, but if press a invalid button, the buzzer rings twice.

SETTING CLOCK TIME

This is a 12- and 24- hour clock, you can choose to set the clock time in 12- or 24- hour cycle by pressing CLOCK button in standby mode.

1. In standby mode, press CLOCK button repeatedly to choose 12- hour or 24- hour clock.
2. Turn MENU/TIME dial to set hour digit.
3. Press CLOCK button once.
4. Turn MENU/TIME dial to set minute digit.
5. Press CLOCK button once to confirm.

NOTE: During cooking, you can check the current clock time by pressing CLOCK button.

EXPRESS COOKING

Use this feature to program the oven to microwave food at 100% power conveniently. In standby mode, just press START/QUICK START button repeatedly to set cooking time (each press to increase 30 seconds, and up to 10 minutes), the oven starts working automatically at full power.

MICROWAVE COOKING

1. In standby mode, press POWER button repeatedly to select power level.
2. Turn MENU/TIME dial clockwise to set cooking time. The longest time is 95 minutes.
3. Press START/QUICK START button to confirm.

Press POWER button to select power level:

Press POWER button	Power (Display)	Press POWER button	Power (Display)
Once	100% (100)	7 times	40% (40)
Twice	90% (90)	8 times	30% (30)
3 times	80% (80)	9 times	20% (20)
4 times	70% (70)	10 times	10% (10)
5 times	60% (60)	11 times	0% (00)
6 times	50% (50)		

NOTE: During cooking, you can check the cooking power level by pressing POWER button.

TIME DEFROST

1. In standby mode, press AUTO DEFROST button once.
2. Turn MENU/TIME dial to set defrosting time. The longest time is 95 minutes.
3. Press START/QUICK START button to confirm.

NOTE: During defrosting, the system will pause and sound to remind user to turn food over, and then press START/QUICK START button to resume.

WEIGHT DEFROST

The defrosting time and power level are automatically set once the food weight is programmed. The frozen food weight ranges from 100 g to 1800 g.

1. In standby mode, press AUTO DEFROST button twice.
2. Press WEIGHT ADJUST button repeatedly to select food weight.
3. Press START/QUICK START button to confirm.

NOTE: During defrosting, the system will pause and sound to remind user to turn food over, and then press START/QUICK START button to resume.

GRILL

Grill cooking is particularly useful for thin slices of meat, steaks, chops, kebabs, sausages and pieces of chicken. It is also suitable for hot sandwiches and au gratin dishes

1. In standby mode, press GRILL button once.
2. Turn MENU/TIME dial to set cooking time. The longest time is 95 minutes.
3. Press START/QUICK START button to confirm.

COMBINATION

Grill works more time than microwave in combination 1 cooking mode, use for fish and au gratin. But microwave works more time than grill in combination 2 cooking mode, use for pudding, omelets, baked potatoes and poultry.

1. In standby mode, press COMBINATION button once or twice to select "Co-1" or "Co-2".
2. Turn MENU/TIME dial to set cooking time. The longest time is 95 minutes.
3. Press START/QUICK START button to confirm.

AUTO CLEAN

Put a bowl of 300 g water into the oven and close the door.

1. In standby mode, turn MENU/TIME dial anti-clockwise once, and then turn the dial until the display shows "CLE" and "AUTO".
2. Press WEIGHT ADJUST button once.
3. Press START/QUICK START button to start.

NOTE: The cleaning time is 10 minutes.

CHILD LOCK

Use to prevent unsupervised operation of the oven by children.

To enter child proof lock: In standby mode, if there is not any operation within one minute, the oven will auto enter child lock mode and the lock indicator light will turn on. In the lock state, all buttons are disabled.

To cancel: In child lock mode, open or close the oven door to cancel the program and the lock indicator light will come off.

AUTO COOK

For the following food or cooking mode, it is not necessary to program the time and the cooking power. It is sufficient to indicate the type of food that you want to cook as well as the weight or servings of this food.

1. In standby mode, turn MENU/TIME dial anti-clockwise to select food code.
2. Press WEIGHT ADJUST button repeatedly to select the food weight or servings.
3. Press START/QUICK START button to confirm.

Auto cook menus:

Code	Food	Weight/Quantity	Note
A-01	Milk/Coffee/Tea (200 ml/cup)	1 cup	The display will show the number of servings instead of food weight
		2 cup	
		3 cup	
A-02	Spaghetti	100g	
		200g	
		300g	
A-03	Potato	100g	
		200g	
		300g	
A-04	Auto Reheat	200g	
		300g	
		400g	
		500g	
		600g	
		700g	
		800g	
A-05	Fish	200g	
		300g	
		400g	
		500g	
		600g	
A-06	Popcorn	100g	
A-07	Chicken	800g	During cooking the oven will stop to remind user to turn food over, after that press START/QUICK START button to resume
		900g	
		1000g	
		1100g	
		1200g	
A-08	Beef/Mutton	200g	
		300g	
		400g	
		500g	
		600g	
A-09	Skewered Meat	100g	During cooking the oven will stop to remind user to turn food over, after that press START/QUICK START button to resume
		200g	
		300g	
		400g	
		500g	
A-10	Soup	200g	
		400g	
		600g	

A-11	Porridge	50g	
		100g	
		150g	
A-12	Fresh vegetable	200g	
		300g	
		400g	
		500g	
		600g	
A-13	Frozen vegetable	200g	
		300g	
		400g	
		500g	
		600g	
A-14	Rice	150g	
		300g	
		450g	
		600g	
A-15	Pizza	150g	
		300g	
		450g	
A-16	Grilled fish	200g	During cooking the oven will stop to remind user to turn food over, after that press START/QUICK START button to resume
		300g	
		400g	
		500g	
		600g	
A-17	Grilled bacon	100g	
		200g	
		300g	
A-18	Sausages	100g	During cooking the oven will stop to remind user to turn food over, after that press START/QUICK START button to resume
		200g	
		300g	
		400g	
		500g	
A-19	Autoclean/(performance would be the water drop full of the inside of the cavity)		

The result of auto cooking depends on factors such as the shape and the size of food, your personal preferences as to the doneness of certain foods and even how well you happen to place foods in the oven. If you find the result at any rate not quite satisfactory, please adjust the cooking time a little bit accordingly

CLEANING AND CARE

1. Turn off the oven and unplug the power cord from the wall when cleaning.
2. Keep the inside of the oven clean. When food splatters or spilled liquids adhere to oven walls, wipe with a damp cloth. Mild detergents may be used if the oven gets very dirty. Avoid using spray or other harsh cleaners. They may stain, streak or dull the door surface.
3. The outside of the oven should be cleaned with a damp cloth. To prevent damage to the operating parts inside the oven, water should not be allowed to seep into the ventilation openings.
4. Wipe the door and window on both sides, the door seals and adjacent parts frequently with a damp cloth to remove any spills or spatters. Do not use abrasive cleaner.
5. A steam cleaner is not be used.
6. Do not allow the control panel to become wet. Clean with a soft, damp cloth. When cleaning the control panel, leave oven door open to prevent oven from accidentally turning on.
7. If steam accumulates inside or around the outside of the oven door, wipe with a soft cloth. This may occur when the microwave oven is operated under high humidity condition. And it is normal.
8. It is occasionally necessary to remove the glass tray for cleaning. Wash the tray in warm sudsy water or in a dishwasher.
9. The roller ring and oven floor should be cleaned regularly to avoid excessive noise. Simply wipe the bottom surface of the oven with mild detergent. The roller ring may be washed in mild, soapy water or in a dishwasher. When removing the roller ring, be sure to replace it in the proper position.
10. Remove odors from your oven by combining a cup of water with the juice and skin of one lemon in a microwaveable bowl. Microwave for 5 minutes. Wipe thoroughly and dry with a soft cloth.
11. If the light bulb burns out, please contact customer service to have it replaced.
12. The oven should be cleaned regularly and any food deposits should be removed. Failure to maintain the oven in a clean condition could lead to deterioration of surface that could adversely affect the life of the unit and could possibly result in a hazardous situation.
13. Please do not dispose of this appliance into the domestic rubbish bin; it should be disposed to the particular disposal center provided by the municipalities.
14. When the microwave oven with grill function is first used, it may produce slight smoke and smell. This is a normal phenomenon, because the oven is made of a

steel plate coated with lubricating oil, and the new oven will produce fumes and odor generated by burning the lubricating oil. This phenomenon will disappear after a period of using.

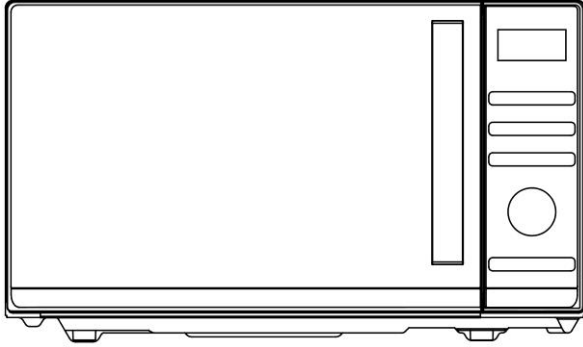


This appliance is labelled in accordance with European Directive 2012/19/EU on Waste Electrical and Electronic Equipment Regulations 2013 regarding electric and electronic appliances (WEEE). The WEEE contain both polluting substances (that can have a negative effect on the environment) and base elements (that can be reused). It is important that the WEEE undergo specific treatments to correctly remove and dispose of the pollutants and recover all the materials. Individuals can play an important role in ensuring that the WEEE do not become an environmental problem; it is essential to follow a few basic rules:

- the WEEE should not be treated as domestic waste;
- the WEEE should be taken to dedicated collection areas managed by the town council or a registered company.

In many countries, domestic collections may be available for large WEEEs. When you buy a new appliance, the old one can be returned to the vendor who must accept it free of charge as a one-off, as long as the appliance is of an equivalent type and has the same functions as the purchased appliance.

إرشادات استخدام فرن الميكروويف



الطراز: CMGA 25 TNDB

يُرجى قراءة هذه الإرشادات بعناية قبل تركيب وتشغيل الفرن.

المحتويات

9	ضبط الساعة الزمنية.....
9	الطهي السريع.....
9	الطهي بالميكروويف.....
9	وقت إزالة الصقيع.....
10	ثمانية إزالة الصقيع.....
10	الشواية.....
10	مجموعة.....
10	التوضيح التلقائي.....
10	قفل الأطفال.....
11	الطهي التلقائي.....

الاحتياطات المطلوبة لتجنب التعرض لطاقة ميكروويف مفرطة

1. الرجاء عدم محاولة تشغيل هذا الفرن وبابه مفتوح؛ لأن ذلك يمكن أن ينتج عنه التعرض لطاقة الموجات الدقيقة (الميكروويف) الضارة. ومن الأهمية عدم كسر أو العبث بأقفال الأمان التعشيقية.
2. الرجاء عدم وضع أي جسم بين الواجهة الأمامية (وجه) الفرن وبابه أو ترك الأوساخ أو بقايا المنظف لتتراكم على الأسطح المانعة للتسرب.
3. لا تقم بتشغيل الفرن في حالة تلفه. ومن المهم للغاية إغلاق باب الفرن على النحو الملائم وخلو الأجزاء التالية من جميع أوجه التلف
 - (a) الباب (بما في ذلك أي منحنى)،
 - (b) المفصلات والمزاليج (المكسورة أو المرتخية)،
 - (c) موانع تسرب الأبواب والأسطح العازلة.
4. يجب ألا يتولى أي شخص بخلاف فني خدمة مؤهل ضبط أو إصلاح الفرن.

إرشادات السلامة المهمة

- عند استخدام جهاز كهربائي، يجب اتباع احتياطات السلامة الأساسية، وتشمل ما يلي:
- تحذير!-!** لتقليل مخاطر الإصابة بحروق والتعرض لصدمة كهربائية أو نشوب حرائق أو إصابة الأشخاص أو التعرض لطاقة الميكروويف الزائدة:
1. اقرأ جميع الإرشادات قبل استخدام الجهاز واحتفظ بها للرجوع إليها في المستقبل.
 2. استخدم هذا الجهاز فقط في الغرض المخصص له وحسبما هو موصوف في هذا الدليل. لا تستخدم المواد الكيماوية أو الأبخرة المسببة للتآكل في هذا الجهاز. صُمم هذا النوع من الأفران خصيصًا لتسخين الطعام أو طهيهِ أو تجفيفهِ. وهو غير مصمم للاستخدام الصناعي أو المعلمي.
 3. لا تقم بتشغيل الفرن إذا كان فارغًا.
 4. لا تقم بتشغيل هذا الجهاز إذا كان سلك أو قابس الطاقة تالفًا، وإذا لم يكن يعمل بشكل صحيح أو تعرض للتلف أو الإسقاط. إذا تعرض كبل التيار الكهربائي للتلف، فيتحتم استبداله بمعرفة المُصنِّع، أو وكيل خدماته أو بمعرفة فني مؤهل؛ وذلك تفاديًا لأي مخاطر.
 5. اسمح للأطفال باستخدام الفرن من دون إشراف فقط بعد إعطائهم الإرشادات المناسبة، بحيث يتمكن الطفل من استخدام الفرن بطريقة آمنة ويفهم مخاطر الاستخدام غير الملائم.
 6. **تحذير!-!** عند تشغيل الجهاز في وضع الجمع، يجب على الأطفال استخدام الفرن فقط تحت إشراف البالغين بسبب درجات الحرارة المتولدة.
 7. لتقليل مخاطر نشوب حريق في تجويف الفرن:
 - عند تسخين الطعام في حاويات بلاستيكية أو ورقية يجب مراقبة الفرن بسبب إمكانية تعرضها للاشتعال.
 - انزع الأربطة الملتفة من الأكياس الورقية أو البلاستيكية قبل وضعها في الفرن.
 - إذا لوحظ انبعاث دخان، فيجب إيقاف تشغيل الفرن أو فصل كبله وترك الباب مغلقًا لخنق أي لهب.
 - يحظر استخدام التجويف لأغراض التخزين. لا تترك المنتجات الورقية أو أواني الطهي أو الطعام في التجويف أثناء عدم استخدام الفرن.
 - الاستخدام المقصود لفرن الميكروويف هو تسخين الأطعمة والمشروبات. وقد يؤدي تجفيف الملابس وتسخين ألياف التدفئة والشباشب والإسفنج والقماش المبلل والمواد المشابهة إلى خطر التعرض لإصابة أو الاشتعال أو نشوب حريق.
 8. **تحذير -** يجب عدم تسخين السوائل أو الأطعمة الأخرى في حاويات مختومة لأنها عرضة للانفجار.

9. يمكن أن يؤدي تسخين المشروبات في الميكروويف إلى غليان انفجاري متأخر، ولذلك يجب الحرص عند التعامل مع الحاوية.
10. لا تجفف الأطعمة في الفرن. قد يؤدي الزيت الساخن إلى إتلاف أجزاء الفرن والأواني وقد يتسبب أيضًا في حروق جلدية.
11. ينبغي عدم تسخين البيض بقشرته والبيض المسلوق في أفران الميكروويف؛ لأنه قد ينفجر، حتى بعد انتهاء التسخين بالميكروويف.
12. اصنع فتحات في الأطعمة ذات القشرة السمكية مثل البطاطس وحبات الكوسة الكاملة والتفاح والكستناء قبل طهيها.
13. يجب تقليب أو رج محتويات زجاجات الرضاعة أو برطمانات أطعمة الأطفال والتحقق من درجة الحرارة قبل الاستخدام، لتجنب التعرض لحروق.
14. قد تصبح أواني الطهي ساخنة بسبب انتقال الحرارة إليها من الأطعمة المُسخنة. وقد تقتضي الضرورة استخدام قطعة قماش للتعامل مع أواني الطهي الساخنة.
15. يجب فحص الأواني للتأكد من أنها مناسبة للاستخدام في فرن الميكروويف.
16. **تحذير!**-- إنه لمن الخطر على أي شخص غير مُدرّب إجراء أي أعمال خدمة أو إصلاح تتضمن إزالة أي غطاء يحمي من التعرض لطاقة الميكروويف.
17. يتوافق هذا الميكروويف مع التوجيه EN 55011/CISPR 11، وبموجب هذا المعيار فإنه ينتمي إلى تصنيف الفئة ب المجموعة 2. أجهزة المجموعة 2: تضم المجموعة 2 جميع الأجهزة الصناعية والعلمية الطبية التي تتولد بها طاقة الترددات اللاسلكية في نطاق يتراوح بين 9 كيلوهرتز و400 جيجاهرتز عمداً وتُستخدم فقط على نطاق محلي، على هيئة إشعاع كهرومغناطيسي و/أو حثي و/أو إقران سعوي بهدف علاج المواد أو لأغراض التفتيش/التحليل، أو لنقل الطاقة الكهرومغناطيسية. أما بالنسبة لأجهزة الفئة ب، فهي الأجهزة المناسبة للاستخدام في البيئات السكنية وفي المنشآت المتصلة مباشرةً بشبكة إمداد التيار الكهربائي منخفض الجهد التي تغذي المباني المستخدمة لأغراض منزلية.
18. هذا الجهاز غير مخصص للاستخدام من قبل الأشخاص (بما فيهم الأطفال) ذوي القدرات البدنية أو الحسية أو العقلية المحدودة أو الأشخاص عديمي الخبرة والمعرفة، إلا إذا تم الإشراف عليهم أو إعطاؤهم التعليمات بشأن استخدام الجهاز من شخص مسؤول عن سلامتهم.
19. ينبغي أن يخضع الأطفال للإشراف لضمان عدم استخدامهم لهذا الجهاز في اللعب.
20. يُستخدم فرن الميكروويف فقط بشكل مستقل.
21. **تحذير!**-- يجب عدم تركيب الفرن فوق موقد طهي أو جهاز آخر يُصدر حرارة. وإلا، فقد يتعرض للتلف ويتم إلغاء الضمان.
22. يجب عدم وضع فرن الميكروويف داخل خزانة.
23. فقد يصبح الباب أو السطح الخارجي ساخناً أثناء تشغيل الجهاز.
24. **تحذير!**-- قد تصبح الأجزاء التي يمكن الوصول إليها ساخنة أثناء الاستخدام. ينبغي إبعاد الأطفال الصغار.
25. تصبح الأجهزة ساخنة أثناء الاستخدام. فيجب توخي الحذر لتجنب لمس العناصر الساخنة بداخل الفرن، لمواقد الطهي والأفران.
26. ربما ترتفع درجة حرارة الأسطح القريبة من الجهاز أثناء تشغيل الجهاز.
27. هذا الجهاز غير مناسب للاستخدام من قبل الأطفال أو الأشخاص ذوي القدرات البدنية أو الحسية أو العقلية المحدودة، أو الأشخاص عديمي الخبرة والمعرفة، إلا إذا تم الإشراف عليهم أو إعطاؤهم التعليمات المناسبة.
28. **تحذير!**-- في حالة تلف الباب أو موانع تسرب الباب، يجب عدم تشغيل الفرن حتى يقوم شخص مختص بإصلاحه.
29. الأجهزة ليست مخصصة للاستخدام مع مؤقت خارجي أو نظام تحكم عن بُعد منفصل.
30. فرن الميكروويف مخصص للاستخدام المنزلي فقط ولا يصلح للاستخدام التجاري.
31. لا تعتمد مطلقاً لإزالة حاجز الفصل الموجود في الخلف أو على الجانبين، فهو يضمن وجود الحد الأدنى من المسافة بين الجهاز والحائط لتوفير التهوية الكافية.
32. يُرجى تثبيت القرص الدوار قبل نقل الجهاز لتجنب حدوث أي تلف.

33. تشبيه!--من الخطورة بمكان أن يتولى أي شخص غير متخصص إصلاح أو صيانة الجهاز؛ لأنه في هذه الحالة يتعين إزالة الغطاء الذي يضمن الحماية ضد إشعاع الميكروويف. وينطبق هذا أيضًا على تغيير سلك الطاقة أو مصابيح الإضاءة. أرسل الجهاز في هذه الحالات إلى مركز الخدمة الخاص بنا.
34. يعتبر فرن الميكروويف مخصصًا للاستخدام في أغراض إذابة تجميد الطعام وطهيهِ بالتسخين وعلى البخار فقط.
35. استخدم قفازات عند إخراج أي طعام تم تسخينه.
36. تحذير! سيتطاير البخار عند فتح الأغطية أو التغليف بالرقائق.
37. يمكن استخدام هذا الجهاز من جانب الأطفال من سن 8 سنوات فما أكبر ومن جانب الأشخاص من ذوي القدرات البدنية أو الحسية أو العقلية المحدودة أو الأشخاص عديمي الخبرة والمعرفة، وذلك في حالة الإشراف عليهم أو إعطائهم التعليمات بشأن استخدام الجهاز بطريقة آمنة وفهم المخاطر المتعلقة به. يجب ألا يعيبت الأطفال بالجهاز. كما يجب عدم تنظيف الأطفال لهذا الجهاز وعدم إجرائهم الصيانة التي يقوم بها المستخدم ما لم يكونوا بعمر 8 أعوام أو أكبر وتحت إشراف الكبار.
38. إذا انبعث دخان فيجب إيقاف تشغيل الفرن أو فصل كبله وترك الباب مغلقًا لخنق أي لهب.

دليل التحميل

1. تأكد من إزالة جميع مواد التغليف من الجزء الداخلي من الباب.
2. افحص الفرن للتأكد من خلوه من أي تلف، مثل سوء محاذاة الباب أو انثنائه، أو تلف موانع تسرب الباب والسطح العازل، أو مفصلات الباب والمزاليح المكسورة أو المرتخية والنقوش داخل التجويف أو على الباب. إذا وُجد أي تلف، فتجنب تشغيل الفرن واتصل بفني خدمة مؤهل.
3. يجب وضع فرن الميكروويف على سطح مستوي ومستقر يتحمل وزنه ووزن أثقل طعام من الممكن طهيهِ في الفرن.
4. لا تضع الفرن في مكان تصدر فيه الحرارة أو الرطوبة العالية، أو بالقرب من المواد القابلة للاحتراق.
5. للتشغيل الصحيح، يجب أن يحظى الفرن بتدفق الهواء الكافي. اترك مسافة 20 سم بحد أدنى فوق السطح العلوي للفرن ومسافة 5 سم على الجانبين. يجب وضع اللوحة الخلفية لفرن الميكروويف بالقرب من الحائط. لا تغطّ أو تسد أي فتحات على الجهاز. لا تنتزع القواعد.
6. لا تقم بتشغيل الفرن من دون وجود الصينية الدوارة ودعائم القرص الدوار العمود في مواضعها الصحيحة.
7. تأكد من عدم تلف سلك إمداد التيار الكهربائي وعدم امتداده أسفل الفرن أو فوق أي سطح ساخن أو حاد.
8. يجب أن يسهل الوصول إلى مقبس التيار الكهربائي حتى يسهل نزعهُ في حالات الطوارئ.
9. تجنب استخدام الفرن في الأماكن الخارجية.

إرشادات التأسيس

يجب تأسيس هذا الجهاز. هذا الفرن مزود بكابل يحتوي على سلك تأريض مع موصل تأريض. ويجب توصيل الموصل بمقبس مركب ومؤرض بالطرق السليمة. وفي حالة حدوث دائرة كهربائية قصيرة، يقلل التأريض من خطر التعرض لصدمة كهربية بتوفير سلك هروب للتيار الكهربائي. يوصى بتوفير دائرة منفصلة تزود الفرن فقط بالتيار الكهربائي. ويعتبر استخدام الجهد العالي خطيرًا وقد ينجم عنه نشوب حريق أو حادث آخر يسبب تلف الفرن. تحذير!--يمكن أن يؤدي الاستخدام غير الصحيح لقابس التأريض لخطر التعرض لصدمة كهربية. ملاحظة:

1. إذا كانت لديك أي أسئلة عن التأريض أو الإرشادات الكهربائية، فاستشر فني كهرباء أو صيانة مؤهل.
 2. لا يتحمل المُصنِّع أو البائع أي مسؤولية عن أي تلف يتعرض له الفرن أو أي إصابة شخصية تنجم عن عدم مراعاة إجراءات التوصيلات الكهربائية الصحيحة.
- تتخذ أسلاك كابل التيار الكهربائي الرئيسي ألوانًا مختلفة طبقًا للقاعدة التالية:

الأخضر والأصفر = أرضي

الأزرق = محايد

البنّي = مكهرب

التشويش اللاسلكي

قد يتسبب تشغيل فرن الميكروويف في تشويش على استقبال أجهزة الراديو والتلفزيون أو ما شابه. عند حدوث التشويش، يمكن تخفيفه أو التخلص منه باتباع الإجراءات التالية:

1. تنظيف الباب والسطح العازل للفرن.
2. إعادة توجيه هوائي الاستقبال الخاص بالراديو أو التلفزيون.
3. تغيير موضع فرن الميكروويف بالنسبة لجهاز الاستقبال.
4. نقل الميكروويف بعيداً عن جهاز الاستقبال.
5. توصيل فرن الميكروويف بأخذ تيار كهربائي مختلف بحيث يتصل فرن ميكروويف جهاز الاستقبال بدائرتين فرعيتين مختلفتين.

قبل الاتصال للحصول على الخدمة

قبل طلب إجراء الصيانة، يُرجى فحص كل عنصر فيما يلي:

- تحقق من اتصال الفرن بمصدر التيار الكهربائي بشكل آمن. وإلا، فانزع القابس من مأخذ التيار الكهربائي، وانتظر 10 ثوانٍ، ثم أعد توصيله بشكل آمن.
 - تحقق من وجود منصهر منفجر بالدائرة الكهربائية أو قاطع دائرة كهربائية متعثر. وإذا لم تكن هناك مشكلة في ذلك، فاختر مآخذ التيار الكهربائي بتوصيل جهاز آخر به.
 - تحقق من برمجة لوحة التحكم بشكل صحيح وضبط الموقت.
 - تحقق من إغلاق الباب بإحكام وتشغيق نظام قفل الباب. إذا لم يُغلق الباب بشكل صحيح، فلن تندفق طاقة الميكروويف داخل الفرن.
- إذا لم تؤدِّ الإجراءات السابقة لمعالجة المشكلة، فاتصل بفني مؤهل. ولا تحاول ضبط أو إصلاح الفرن بنفسك.

تقنيات الطهي

1. نظم الطعام بعناية. ضع الأجزاء الأكثر سُمكاً باتجاه الجزء الخارجي للطبق.
2. راقب مدة الطهي. قم بالطهي لأقصر مدة زمنية محددة وقم بزيادتها عند اللزوم. قد يؤدي الإفراط في طهي الطعام إلى إصدار الدخان أو الاشتعال.
3. قم بتغطية الطعام أثناء الطهي. حيث إن الأغذية تمنع التناثر وتساعد على الطهي بشكل متجانس.
4. اقلب الطعام مرة واحدة أثناء طهيها داخل الميكروويف لإنتاج بعض الأطعمة بشكل أسرع مثل الدجاج والبرجر.
5. يجب قلب القطع الكبيرة مثل اللحم المشوي مرة واحدة على الأقل.
5. أعد تنظيم الأطعمة مثل كرات اللحم في منتصف مدة الطهي من الأعلى إلى الأسفل ومن وسط الطبق إلى الخارج.

دليل أواني الطهي

1. لا يمكن لأشعة الميكروويف اختراق المعدن. يجب فقط استخدام أوانٍ مناسبة لأفران الميكروويف. غير مسموح باستخدام الحاويات المعدنية للأطعمة والمشروبات أثناء الطهي بالميكروويف. ولا ينطبق هذا الشرط إذا حددت جهة التصنيع حجم وشكل الحاويات المعدنية المناسبة للطهي في فرن الميكروويف.
2. لا يمكن لأشعة الميكروويف اختراق المعدن، ولذلك يجب عدم استخدام الأواني المعدنية أو الأطباق ذات الحواف المعدنية.
3. يجب عدم استخدام المنتجات الورقية المعاد تدويرها عند طهي الطعام في الميكروويف؛ لأنها تحتوي على شظايا معدنية صغيرة قد تسبب الشرر و/أو الحرائق.

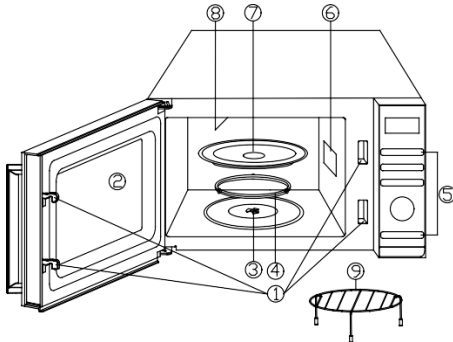
4. يوصى باستخدام الأطباق المستديرة/البيضاوية وليس المربعة/المستطيلة، حيث يتعرض الطعام في الأركان للطهي المفرط.
5. قد تُستخدم شرائط ضيقة من رقائق الألومنيوم لمنع الطهي المفرط للمناطق المكشوفة. ولكن احرص على عدم استخدامها بكميات زائدة واحتفظ بمسافة بوصة واحدة (2.54 سم) بين الرقائق والتجوف.
- تعتبر القائمة التالية دليلاً عاماً لمساعدتك على اختيار الأواني الصحيحة.

أواني الطهي	الميكروويف	الشواية	الجمع
الزجاج المقاوم للحرارة	نعم	نعم	نعم
الزجاج غير المقاوم للحرارة	لا	لا	لا
أواني السيراميك المقاومة للحرارة	نعم	نعم	نعم
الأطباق البلاستيكية الآمنة للاستخدام في الميكروويف	نعم	لا	لا
ورق المطبخ	نعم	لا	لا
صينية معدنية	لا	نعم	لا
رف معدني	لا	نعم	لا
رقائق الألومنيوم وحوايات الرقائق المعدنية	لا	نعم	لا

المواصفات

استهلاك الطاقة:	230-240 فولت/50 هرتز ، 1400 واط(ميكروويف)
	1000 واط(الشواية)
خرج قدرة الميكروويف المقرر:	900W
تردد التشغيل:	2450 ميغاهرتز
الأبعاد الخارجية:	281 مم(ارتفاع)×483 مم(عرض)×420 مم(عمق)
أبعاد تجوف الفرن:	220 مم(ارتفاع)×340 مم(عرض)×344 مم(عمق)
السعة الاستيعابية للفرن:	25 لترًا
الوزن الصافي:	حوالي 14.1 كجم

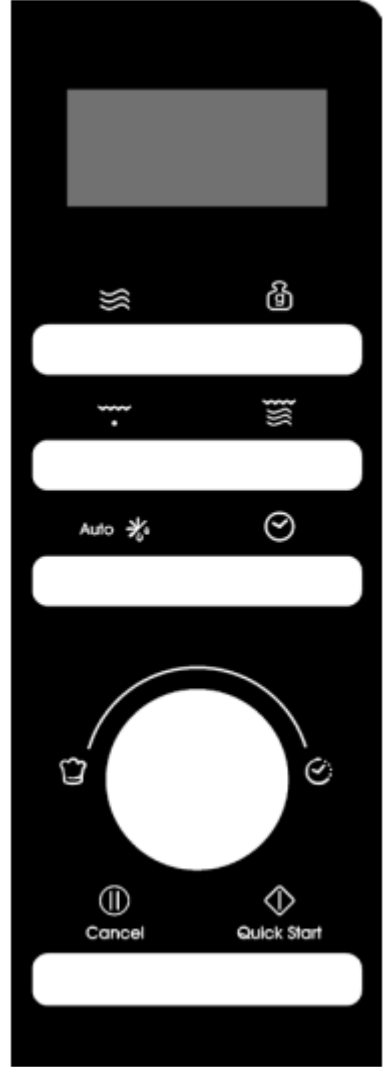
مخطط المنتج:



1. نظام قفل الأمان للباب
2. نافذة الفرن
3. العمود
4. حلقة الأسطوانة
5. لوحة التحكم
6. موجة الموجات (يرجى عدم إزالة لوح المياكا الذي يغطي موجة الموجة)
7. الصينية الزجاجية
8. سخان الشواية
9. رف معدني

لوحة التحكم

- شاشة قائمة الوظائف
يتم عرض وقت الطهي والطاقة ومؤشرات العمل.
- الطاقة الكهربائية
اضغط لضبط مستوى طاقة الطهي في الميكروويف.
- ضبط الوزن
اضغط على لتعيين وزن الطعام أو الوجبات.
- شواية
اضغط على لتعيين برنامج طهي الشواية.
- تركيبة
اضغط على لتعيين البرنامج المركب.
- إزالة التجميد التلقائية
اضغط مرة واحدة لتذويب الطعام حسب الوقت. اضغط مرتين لتذويب الطعام على أساس الوزن.
- الساعة
اضغط لضبط وقت الساعة.
- القائمة/الوقت (الطلب)
أدر القرص لضبط الوقت.
أدر الطلب لتحديد قائمة الطهي التلقائي.
- إيقاف مؤقت/الغاء
اضغط عليه مرة واحدة لإيقاف الطهي، أو مرتين لإلغاء عملية الطهي برمتها.
- البدء/البدء السريع
اضغط لبدء برامج الطهي وإزالة الصقيع.
اضغط عليه فقط عدة مرات لضبط مدة الطهي وقم بالطهي على الفور عند مستوى القدرة الكامل.



تعليمات التشغيل

- عند توصيل الفرن لأول مرة ، يصدر صوت صغير وتظهر الشاشة "1:01"، "".
- إذا توقفت عملية الضبط مدة 25 ثانية تقريبًا، سيعود الفرن إلى وضع الاستعداد.

- أثناء الطهي ، إذا تم الضغط على زر الإيقاف المؤقت/الإلغاء مرة واحدة ، فسيتم إيقاف البرنامج مؤقتًا ، ثم اضغط على زر START/QUICK START (بدء التشغيل/بدء التشغيل السريع) للاستئناف. ولكن في حالة الضغط على زر الإيقاف المؤقت/الإلغاء مرتين ، سيتم إلغاء البرنامج.
- بعد انتهاء الطهي ، ستظهر الشاشة END (نهائية) وستصدر صافرة كل دقيقتين حتى يضغط المستخدم على زر PAUSE/CANCEL (إيقاف مؤقت/إلغاء) أو يفتح الباب.
- أثناء التشغيل ، اضغط على زر صالح ، يرن الجرس مرة واحدة ، ولكن إذا ضغط على زر غير صالح ، يرن الجرس مرتين.

ضبط الساعة الزمنية

هذه هي ساعة 12 و 24 ساعة ، يمكنك اختيار تعيين وقت الساعة في دورة 12 أو 24 ساعة عن طريق الضغط على زر الساعة في وضع الاستعداد.

1. في وضع الاستعداد ، اضغط على زر الساعة بشكل متكرر لاختيار 12 ساعة أو 24 ساعة.
 2. أدر قائمة/وقت الطلب لتعيين رقم الساعة.
 3. اضغط على زر الساعة مرة واحدة.
 4. أدر قائمة/وقت الطلب لتعيين رقم الدقيقة.
 5. اضغط على زر الساعة مرة واحدة للتأكيد.
- ملاحظة: أثناء الطهي ، يمكنك التحقق من وقت الساعة الحالي عن طريق الضغط على زر الساعة.

الطهي السريع

استخدم هذه الميزة لبرمجة الفرن على طهي الطعام بالميكروويف بقدرة 100% سرعة الطهي. في وضع الاستعداد ، ما عليك سوى الضغط على زر START/QUICK START (بدء التشغيل/بدء التشغيل السريع) بشكل متكرر لضبط وقت الطهي (كل ضغط لزيادة 30 ثانية ، وحتى 10 دقائق) ، يبدأ الفرن في العمل تلقائيًا بكامل طاقته.

الطهي بالميكروويف

1. في وضع الاستعداد ، اضغط على زر الطاقة بشكل متكرر لتحديد مستوى الطاقة.
2. أدر قائمة/وقت الطلب في اتجاه عقارب الساعة لضبط وقت الطهي. وأقصى مدة هي 95 دقيقة.
3. اضغط على زر START/QUICK START (بدء/بدء سريع) للتأكيد.

اضغط على زر الطاقة لتحديد مستوى الطاقة:

القدرة (الشاشة)	اضغط على زر الطاقة	القدرة (الشاشة)	اضغط على زر الطاقة
40% (40)	7 مرات	100% (100)	مرة واحدة
30% (30)	8 مرات	90% (90)	مرتان
20% (20)	9 مرات	80% (80)	3 مرات
10% (10)	10 مرات	70% (70)	4 مرات
0% (00)	11 مرات	60% (60)	5 مرات
		50% (50)	6 مرات

ملاحظة: أثناء الطهي ، يمكنك التحقق من مستوى طاقة الطهي عن طريق الضغط على زر الطاقة.

وقت إزالة الصقيع

1. في وضع الاستعداد ، اضغط على زر إزالة الصقيع التلقائي مرة واحدة.
2. أدر قائمة/وقت الطلب لضبط وقت إزالة الصقيع. وأقصى مدة هي 95 دقيقة.

3. اضغط على زر START/QUICK START (بدء/بدء سريع) للتأكيد.
ملاحظة: أثناء إزالة الصقيع ، سيتوقف النظام مؤقتًا وسيصدر صوتًا لتذكير المستخدم بتحويل الطعام ، ثم اضغط على زر START/QUICK START (بدء/بدء سريع) للاستئناف.

ثمانية إزالة الصقيع

يتم ضبط وقت إزالة الصقيع ومستوى الطاقة تلقائيًا بمجرد برمجة وزن الطعام. يتراوح وزن الطعام المجمد من 100 جم إلى 1800 جم.

1. في وضع الاستعداد ، اضغط على زر إزالة الصقيع التلقائي مرتين.
 2. اضغط على زر ضبط الوزن بشكل متكرر لتحديد وزن الطعام.
 3. اضغط على زر START/QUICK START (بدء/بدء سريع) للتأكيد.
- ملاحظة: أثناء إزالة الصقيع ، سيتوقف النظام مؤقتًا وسيصدر صوتًا لتذكير المستخدم بتحويل الطعام ، ثم اضغط على زر START/QUICK START (بدء/بدء سريع) للاستئناف.

الشواية

يعد الطهي المشوي مفيدًا بشكل خاص لشرائح اللحم الرقيقة ، واللحوم ، والقطع ، والكباب ، والنقانق ، وقطع الدجاج. وهو مناسب أيضًا لإعداد الشطائر الساخنة وأطباق الغراتين.

1. في وضع الاستعداد ، اضغط على زر الشواية مرة واحدة.
2. أدر قائمة/وقت الطلب لضبط وقت الطهي. وأقصى مدة هي 95 دقيقة.
3. اضغط على زر START/QUICK START (بدء/بدء سريع) للتأكيد.

مجموعة

تعمل الشواية وقتًا أطول من الميكروويف في وضع الطهي 1 المركب ، وتستخدم للأسمك والجراتين. لكن الميكروويف يعمل لفترة أطول من الشواء في وضع الطهي المركب 2 ، ويستخدم للحلوى والعجة والبطاطس المخبوزة والدواجن.

1. في وضع الاستعداد ، اضغط على زر الجمع مرة أو مرتين لتحديد "Co -1" أو "Co -2".
2. أدر قائمة/وقت الطلب لضبط وقت الطهي. وأقصى مدة هي 95 دقيقة.
3. اضغط على زر START/QUICK START (بدء/بدء سريع) للتأكيد.

التوضيح التلقائي

ضع وعاء من 300 غرام من الماء في الفرن وأغلق الباب.

1. في وضع الاستعداد ، أدر القائمة/الطلب الزمني عكس اتجاه عقارب الساعة مرة واحدة ، ثم أدر القرص حتى تظهر الشاشة "CLE" و" AUTO".
2. اضغط على زر ضبط الوزن مرة واحدة.
3. اضغط على زر START/QUICK START (بدء/بدء سريع) لبدء الملاحظة: وقت التنظيف هو 10 دقائق.

قفل الأطفال

استخدمه لمنع تشغيل الأطفال للفرن دون مراقبة.

لإدخال قفل حماية الطفل: في وضع الاستعداد ، إذا لم يكن هناك أي تشغيل في غضون دقيقة واحدة ، سوف يدخل الفرن تلقائيًا في وضع قفل الطفل وسوف يضيء مصباح مؤشر القفل. في حالة القفل ، يتم تعطيل جميع الأزرار. للإلغاء: في وضع قفل الطفل ، افتح أو أغلق باب الفرن لإلغاء البرنامج وسوف ينطفئ ضوء مؤشر القفل.

الطهي التلقائي

بالنسبة لوضع الطعام أو الطهي التالي ، ليس من الضروري برمجة الوقت وقوة الطهي. ويكفي تحديد نوع الطعام الذي ترغب في طهيه إلى جانب وزن أو حصص الطعام.

1. في وضع الاستعداد ، أدر القائمة/الطلب الزمني عكس اتجاه عقارب الساعة لتحديد رمز الطعام.
2. اضغط على زر ضبط الوزن بشكل متكرر لتحديد وزن الطعام أو الوجبات.
3. اضغط على زر START/QUICK START (بدء/بدء سريع) للتأكيد.

قوائم الطهي التلقائي:

الرمز	الطعام	الوزن/الكمية	الملاحظات:
A-01	الحليب/القهوة/الشاي (200 مل/كوب)	1 كوب	ستعرض الشاشة عدد الوجبات بدلاً من وزن الطعام
		2 كوب	
		3 أكواب	
A-02	سباغتي	100 جم	
		200 ج	
		300 ج	
A-03	مثير للجدل	100 جم	
		200 ج	
		300 ج	
A-04	إعادة التسخين التلقائي	200 ج	
		300 ج	
		400 ج	
		500 جم	
		600 ج	
		700 غم	
		800 غم	
A-05	سمك	200 ج	
		300 ج	
		400 ج	
		500 جم	
		600 ج	
A-06	الفشار	100 جم	
A-07	دجاج	800 غم	أثناء الطهي ، سيتوقف الفرن لتذكير المستخدم بتحويل الطعام ، بعد ذلك
		900 جرام	
		1000 جم	

الرمز	الطعام	الوزن/الكمية	الملاحظات:
		1100 جم	اضغط على زر START/QUICK START (بدء التشغيل/بدء التشغيل السريع) للاستئناف
		1200 غرام	
A-08	لحم البقر/لحم الضأن	200 ج	
		300 ج	
		400 ج	
		500 جم	
		600 ج	
A-09	اللحوم المشوية	100 جم	أثناء الطهي ، سيتوقف الفرن لتذكير المستخدم بتحويل الطعام ، بعد ذلك اضغط على زر START/QUICK START (بدء التشغيل/بدء التشغيل السريع) للاستئناف
		200 ج	
		300 ج	
		400 ج	
		500 جم	
A-10	شورية	200 ج	
		400 ج	
		600 ج	
A-11	عصيدة – حريرة الشعير	50 غ	
		100 جم	
		150 جم	
A-12	الخضروات الطازجة	200 ج	
		300 ج	
		400 ج	
		500 جم	
		600 ج	
A-13	خضروات مجمدة	200 ج	
		300 ج	
		400 ج	
		500 جم	
		600 ج	
A-14	أرز	150 جم	
		300 ج	
		450 ج	
		600 ج	
A-15	بينزا	150 جم	
		300 ج	

الرمز	الطعام	الوزن/الكمية	الملاحظات:
		450 ج	
A-16	أشوى السمك	200 ج	أثناء الطهي ، سيتوقف الفرن لتذكير المستخدم بتحويل الطعام ، بعد ذلك اضغط على زر START/QUICK START (بدء التشغيل/بدء التشغيل السريع) للاستئناف
		300 ج	
		400 ج	
		500 جم	
		600 ج	
A-17	لحم مشوي	100 جم	
		200 ج	
		300 ج	
A-18	السجق	100 جم	أثناء الطهي ، سيتوقف الفرن لتذكير المستخدم بتحويل الطعام ، بعد ذلك اضغط على زر START/QUICK START (بدء التشغيل/بدء التشغيل السريع) للاستئناف
		200 ج	
		300 ج	
		400 ج	
		500 جم	
A-19	التنظيف التلقائي/(سيكون الأداء عبارة عن قطرة ماء ممتلئة من داخل التجويف)		

تعتمد نتيجة الطهي التلقائي على عدة عوامل مثل شكل وحجم الطعام، وتفضيلاتك الشخصية المتعلقة بدرجة نُضج أطعمة معينة وحتى وضع الطعام بشكل جيد بداخل الفرن. إذا لم تجد النتائج على أي حال مُرضية بما يكفي، فیرجى ضبط مده الطهي بمقدار ضئيل لمعالجة ذلك.

التنظيف والعناية

1. أوقف تشغيل الفرن وافصل سلك التيار الكهربائي عن مقبس الجدار عند التنظيف.
2. حافظ على نظافة الجزء الداخلي للفرن. عندما يتناثر الطعام أو تنسكب السوائل وتلتصق بجدران الفرن، امسحها بقطعة قماش مبللة. ويمكن استخدام المنظفات الخفيفة إذا كان الفرن شديد الاتساخ. تجنب استخدام الرذاذ أو المنظفات الأخرى القوية. فقد تسبب البقع أو العلامات أو تؤدي إلى بهتان لون سطح الباب.
3. ويجب تنظيف الأسطح الخارجية للفرن بقطعة قماش مبللة. لمنع تلف أجزاء التشغيل بداخل الفرن، يجب عدم السماح بتسرب الماء إلى داخل فتحات التهوية.
4. امسح كلا جانبي الباب والنافذة، وموانع تسرب الباب والأجزاء المجاورة بشكل متكرر باستخدام قطعة قماش مبللة لإزالة أي بقايا طعام أو سوائل منسكبة. ولا تستخدم مادة تنظيف كاشطة.
5. يجب عدم استخدام منظف بالبخار.
6. لا تسمح بوصول الماء إلى لوحة التحكم. ونظفها بقطعة قماش ناعمة ومبللة. عند تنظيف لوحة التحكم، اترك باب الفرن مفتوحًا لمنع تشغيله من دون قصد.
7. إذا تراكم البخار بداخل باب الفرن أو حول الجزء الداخلي له، فامسحها بقطعة قماش ناعمة. فقد يحدث ذلك إذا تم تشغيل فرن الميكروويف في درجات رطوبة عالية. وهذا أمر طبيعي.
8. من الضروري إزالة الصينية الزجاجية من حين لآخر لتنظيفها. اغسل الصينية في ماء رغوي دافئ أو في غسالة الأطباق.

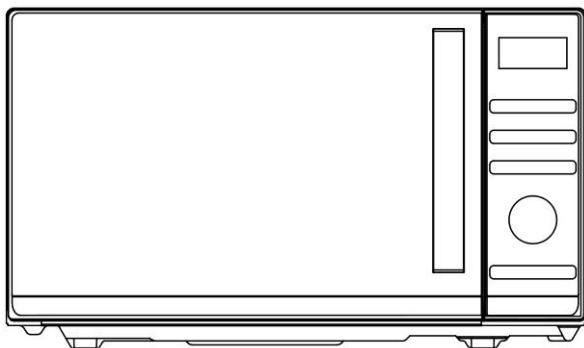
9. يجب تنظيف حلقة الأسطوانة وقاعدة الفرن بصفة منتظمة لتجنب الضوضاء الزائدة. امسح فقط السطح السفلي للفرن بمنظف خفيف. يمكن غسل حلقة الأسطوانة بماء فاتر وصابون أو في غسالة الأطباق. عند إزالة الأسطوانة الدائرية، احرص على إعادتها إلى وضعها الصحيح.
10. قم بإزالة الروائح من الفرن بمزج كوب ماء مع عصير وقشر ليمونة واحدة في وعاء صغير يمكن استخدامه داخل الميكروويف. ثم قم بتشغيل الميكروويف مدة 5 دقائق. وبعد ذلك امسح جميع أجزائه وجففها بقطعة قماش ناعمة.
11. إذا احترق مصباح الإضاءة، فيرجى الاتصال بخدمة العملاء لاستبداله.
12. ينبغي تنظيف الفرن بانتظام وإزالة أي رواسب للأطعمة. يمكن أن يؤدي الفشل في المحافظة على الفرن في حالة نظافة جيدة إلى تدهور السطح الذي يمكن أن يؤثر سلبيًا على العمر الافتراضي للجهاز وربما ينطوي على خطورة.
13. يُرجى عدم التخلص من هذا الجهاز في حاوية النفايات المنزلية، حيث يجب التخلص منه في مركز التخلص من الأجهزة المعني الذي تحدده البلديات.
14. عند استخدام فرن الميكروويف المزود بوظيفة الشواية لأول مرة، فقد ينبعث بعض الدخان والرائحة. وهذا أمر طبيعي؛ لأن الفرن مصنوع من لوح فولاذي مطلي بزيت التشحيم، وسيصدر الفرن الجديد أدخنة ورائحة تنتج عن حرق زيت التشحيم. وسيختفي ذلك بعد مدة من الاستخدام.

تم وسم هذا الجهاز وفقًا للتوجيه الأوروبي EU/19/2012 بشأن لوائح نفايات المعدات الكهربائية والإلكترونية لعام 2013 المتعلقة بالأجهزة الكهربائية والإلكترونية (WEEE). تحتوي نفايات المعدات الكهربائية والإلكترونية على كل من مواد ملوثة (تؤثر بشكل سلبي على البيئة) وعناصر أساسية (يمكن إعادة استخدامها). من المهم أن نتعرض نفايات المعدات الكهربائية والإلكترونية لعمليات معالجة محددة لإزالة الملوثات والتخلص منها بشكل صحيح واستعادة جميع المواد. يلعب الأفراد دورًا مهمًا لضمان ألا تتسبب نفايات المعدات الكهربائية والإلكترونية في مشكلة بيئية، ومن الضروري اتباع بعض القواعد الأساسية:



- يحظر التعامل مع نفايات المعدات الكهربائية والإلكترونية كنفايات منزلية؛
 - يتعين أخذ نفايات المعدات الكهربائية والإلكترونية إلى مناطق التجميع المخصصة التي يديرها مجلس المدينة أو شركة مسجلة.
- في العديد من الدول، قد تتاح مراكز محلية لتجميع نفايات المعدات الكهربائية والإلكترونية الضخمة. عندما تشتري جهازًا جديدًا، يمكن إعادة الجهاز القديم إلى البائع الذي يجب عليه قبوله دون مقابل كإجراء لمرة واحدة، طالما كان الجهاز من ذات النوع ولديه ذات وظائف الجهاز الذي تم شراؤه.

Návod k obsluze mikrovlnné trouby



Model: CMGA25TNDB

Před instalací a obsluhou trouby si pečlivě přečtěte tento návod.

OBSAH

NASTAVENÍ ČASU HODIN	11
EXPRESNÍ VAŘENÍ.....	11
MIKROVLNNÉ VAŘENÍ.....	11
ČAS ROZMRAZOVÁNÍ.....	12
ODMRAZOVÁNÍ HMOTNOSTI.....	12
GRIL.....	13
KOMBINOVANÉ VAŘENÍ.....	13
DĚTSKÁ POJISTKA.....	13
AUTOMATICKÉ VAŘENÍ	13

OPATŘENÍ K ZABRÁNĚNÍ MOŽNÉMU VYSTAVENÍ NADMĚRNÉ MIKROVLNNÉ ENERGII

1. Nepokoušejte se používat tuto troubu s otevřenými dvířky, protože provoz s otevřenými dvířky může mít za následek škodlivé vystavení mikrovlnné energii. Je důležité, abyste neporazili bezpečnostní zámky ani s nimi nemanipulovali.
2. Mezi přední stěnu trouby a dvířka neumisťujte žádné předměty, ani nedovolte, aby se na těsnících plochách hromadila špína nebo zbytky čistícího prostředku.
3. Pokud je trouba poškozená, nepoužívejte ji. Je velmi důležité, aby se dvířka trouby správně zavírala a aby nedošlo k poškození
 - a) Dvířka (včetně jakýchkoli ohnutých),
 - b) Závěsy a západky (prasklé nebo uvolněné),
 - c) Těsnění dvířek a těsnící plochy.
4. Roura by neměla být seřizována ani opravována nikým jiným než kvalifikovaným servisním personálem.

DŮLEŽITÉ BEZPEČNOSTNÍ POKYNY

Při používání elektrického spotřebiče je třeba dodržovat základní bezpečnostní opatření, včetně následujících:

UPOZORNĚNÍ! Pro snížení rizika popálenin, úrazu elektrickým proudem, požáru, zranění osob nebo vystavení nadměrné mikrovlnné energii:

1. Před použitím spotřebiče si přečtěte celý návod a uschovejte jej pro budoucí použití.
2. Tento spotřebič používejte pouze pro zamýšlené použití, jak je popsáno v návodu. V tomto spotřebiči nepoužívejte korozivní chemikálie ani páry. Tento typ trouby je speciálně určen k ohřevu, vaření nebo sušení potravin. Není určen pro průmyslové nebo laboratorní použití.
3. Neprovozujte troubu, pokud je prázdná.
4. Nepoužívejte tento spotřebič, pokud má poškozený kabel nebo zástrčku, pokud nepracuje správně nebo pokud byl poškozen nebo spadl. Pokud je napájecí kabel poškozen, musí být vyměněn výrobcem, jeho servisním technikem nebo podobně kvalifikovanou osobou, aby se zabránilo nebezpečí.
5. **UPOZORNĚNÍ!** Děti smí používat troubu bez dozoru pouze tehdy, pokud jim byly poskytnuty odpovídající pokyny, aby mohly troubu používat bezpečným způsobem a pochopily nebezpečí spojené s nesprávným použitím.

6. **UPOZORNĚNÍ!** Pokud je spotřebič provozován v kombinovaném režimu, děti by vzhledem k generovaným teplotám měly používat troubu pouze pod dohledem dospělých.
7. Pro snížení rizika požáru uvnitř trouby:
 - Při ohřívání potravin v plastových nebo papírových nádobách sledujte troubu kvůli možnosti vznícení.
 - Před vložením sáčku do trouby odstraňte z papíru nebo plastových sáčků drátěné uzávěry.
 - Pokud se vyskytne kouř, ihned vypněte spotřebič a zástrčku vytáhněte ze zásuvky, dvířka nechte otevřená a případný oheň uhasťte.
 - Nepoužívejte vnitřní prostor trouby pro skladování. Nenechávejte uvnitř papírové výrobky, kuchyňské náčiní nebo potraviny, pokud nejsou používány.
 - Mikrovlnná trouba je určena k ohřevu jídla a nápojů. Sušení oděvů a ohřívání zahřívacích podložek, pantoflí, hub, vlhkých hadrů a podobných předmětů může způsobit poranění, vznícení či požár.
8. **UPOZORNĚNÍ!** Tekutiny nebo jiné potraviny nesmí být zahřívány v uzavřených nádobách, protože mohou explodovat.
9. Mikrovlnné ohřívání nápojů může vést k jejich opožděnému bublajícímu vaření, proto při manipulaci s těmito nápoji dbejte zvýšené opatrnosti.
10. Jídlo v troubě nesmažte. Horký olej může poškodit části trouby a kuchyňské potřeby a dokonce může způsobit popáleniny kůže.
11. Vajíčka ve skořápce a vajíčka vařená natvrdo by se neměla ve spotřebiči ohřívát, protože mohou explodovat i po dokončení mikrovlnného ohřevu.
12. Potraviny s tvrdou kůrou před vařením propíchněte, např. brambory, dýně, jablka a kaštany.
13. Obsah kojeneckých lahví a lahvíček s dětskou výživou je třeba před použitím promíchat nebo s nimi zatřepat, abyste tak předešli popáleninám.
14. Náčiní na vaření se mohou zahřát v důsledku tepla přenášeného z ohřívání jídla. Pro manipulaci s náčiním mohou být zapotřebí kuchyňské čňapky.
15. Kuchyňské náčiní je třeba zkontrolovat, aby se zajistilo, že je vhodné k použití v mikrovlnných troubách.
16. **UPOZORNĚNÍ!** Je nebezpečné pro kohokoli jiného než kvalifikovaného opraváře provádět jakýkoli servis nebo opravy, které zahrnují demontáž krytu, který ochraňuje proti expozici mikrovlnné energii.
17. Tato mikrovlnná trouba je v souladu s normou EN 55011/CISPR 11, v této normě patří do třídy B skupiny 2. Zařízení skupiny 2: skupina 2 obsahuje všechna radiofrekvenční zařízení ISM, ve kterých se úmyslně vyrábí a používá radiofrekvenční energie ve frekvenčním rozsahu 9 kHz až 400 GHz, nebo se používá pouze lokálně ve formě elektromagnetického záření, indukčního a/nebo kapacitního spojení na úpravu materiálu, na účely inspekce/analýzy nebo pro přenos elektromagnetické energie. Zařízení třídy B je zařízení vhodné pro použití v obytných prostorách a v zařízeních přímo napojených na nízkonapěťovou elektrickou síť, která napájí budovy používané pro domácí účely.
18. Tento spotřebič nesmí používat osoby (včetně dětí) se sníženými fyzickými, smyslovými nebo duševními schopnostmi nebo nedostatečnými zkušenostmi a znalostmi, pokud nejsou pod dohledem osoby odpovědné za jejich bezpečnost nebo nebyly touto osobou poučeny ohledně používání spotřebiče.
19. Děti by měly být dohledem, aby se zajistilo, že si se spotřebičem nebudou hrát.

20. Mikrovlnná trouba se používá pouze jako volně stojící.
21. **UPOZORNĚNÍ!** Neinstalujte troubu na horní panel sporáku ani jiné zařízení vydávající teplo. Pokud byla nainstalována, mohla by se poškodit a záruka by byla zrušena.
22. Mikrovlnná trouba nesmí být umístěna ve skříni.
23. Dvířka nebo vnější povrch se mohou při provozu spotřebiče zahřát.
24. **UPOZORNĚNÍ!** Přístupné části se mohou během používání zahřát. Malé děti by měly být drženy v dostatečné vzdálenosti.
25. Během používání se spotřebiče zahřejí. Dávejte pozor, abyste se nedotkli topných prvků ploténky a na pečení uvnitř trouby.
26. Teplota přístupných povrchů může být při provozu spotřebiče vysoká.
27. Spotřebič nesmí používat děti nebo osoby se sníženými fyzickými, smyslovými nebo duševními schopnostmi nebo s nedostatkem zkušeností a znalostí, pokud nebyly pod dohledem nebo poučeny.
28. **UPOZORNĚNÍ!** Pokud jsou dvířka nebo těsnění dvířek poškozena, trouba nesmí být v provozu, dokud ji neopraví kvalifikovaná osoba.
29. Spotřebiče nejsou určeny k ovládnání pomocí externího časovače nebo samostatného systému dálkového ovládnání.
30. Mikrovlnná trouba je určena pouze pro použití v domácnosti a ne pro komerční použití.
31. Nikdy neodstraňujte distanční lištu, která se nachází zezadu a na stranách, protože zajišťuje minimální vzdálenost od stěny pro cirkulaci vzduchu.
32. Před přesunem spotřebiče zajistěte otočný talíř, abyste předešli jeho poškození.
33. **POZOR!** Je nebezpečné, jestliže spotřebič opravuje nebo servisuje osoba, která není specialistou, protože za těchto okolností je třeba odstranit kryt, který zajišťuje ochranu před mikrovlnným zářením. To platí i pro výměnu napájecího kabelu nebo osvětlení. Spotřebič v těchto případech odešlete do našeho servisního střediska.
34. Mikrovlnná trouba je určena pouze k rozmrazování, vaření a vaření v páře.
35. Při vybírání jakéhokoli zahřátého jídla používejte rukavice.
36. Pozor! Při otevírání víček nebo balicí fólie unikne pára.
37. Tento spotřebič smějí používat děti starší 8 let a osoby se sníženými fyzickými, smyslovými nebo duševními schopnostmi nebo bez patřičných zkušeností a znalostí, pokud jsou pod dohledem osoby odpovědné za jejich bezpečnost, případně byly poučeny o bezpečném používání spotřebiče a rozumějí možným nebezpečím. Děti si se spotřebičem nesmějí hrát. Čištění a údržbu uživatele nesmějí provádět děti, pokud nejsou starší 8 let a nejsou pod dohledem.
38. Pokud ze spotřebiče vychází kouř, vypněte nebo odpojte jej a nechte dvířka zavřená, aby se případné plameny uhasily.

INSTALAČNÍ PŘÍRUČKA

1. Ujistěte se, že jste z vnitřního prostoru trouby vyjmuli veškerý obalový materiál.
2. **UPOZORNĚNÍ!** Zkontrolujte, zda není trouba nějakým způsobem poškozená, například zda nejsou nevyrovnaná nebo zkřivená dvířka, poškozené nebo uvolněné dveřní závěsy, západky a ozuby uvnitř trouby nebo na dvířkách. Pokud dojde k poškození, troubu nepoužívejte a kontaktujte kvalifikovaný servisní personál.
3. Tato mikrovlnná trouba musí být umístěna na rovném, stabilním povrchu, aby udržela svou hmotnost a nejtěžší potraviny, které mohou být v troubě vařeny.
4. Neumísťujte troubu blízko tepelných zdrojů, na místa se zvýšenou vlhkostí nebo v blízkosti hořlavých materiálů.
5. Pro správnou funkci musí mít trouba dostatečný průtok vzduchu. Ponechte minimálně 20 cm volného prostoru nad horním povrchem trouby a 5 cm na obou stranách. Zadní plech mikrovlnné trouby musí být umístěna blízko stěny. Nezakrývejte ani neblokujte žádné otvory na spotřebiči. Neodstraňujte nožky.
6. Nepoužívejte troubu, jestliže skleněný talíř, válečkový prstenec, podpěra a hřídel nejsou na svém řádném místě.
7. Ujistěte se, že napájecí kabel není poškozený a není umístěn pod troubou ani na horkém nebo ostrém povrchu.
8. Zásuvka musí být snadno přístupná, aby ji bylo možné v případě nouze snadno odpojit.
9. Nepoužívejte troubu venku.

POKYNY K UZEMNĚNÍ

Tento spotřebič musí být uzemněn. Tato trouba je vybavena kabelem se zemnicím vodičem se zemnicí zástrčkou. Musí být zapojen do zásuvky, která je správně nainstalována a uzemněna. V případě elektrického zkratu snižuje uzemnění riziko úderu elektrickým proudem poskytnutím drátu, po kterém může odtéci elektrický proud. Doporučuje se, aby byl zajištěn samostatný okruh sloužící pouze troubě. Použití vysokého napětí je nebezpečné a může mít za následek požár nebo jinou nehodu způsobující poškození trouby. **UPOZORNĚNÍ!** Nesprávné použití uzemňovací zástrčky může vést k riziku úrazu elektrickým proudem. Poznámka:

1. Máte-li jakékoli dotazy týkající se uzemnění nebo elektrických pokynů, poradte se s kvalifikovaným elektrikářem nebo servisním technikem.
2. Výrobce ani prodejce nemohou nést žádnou odpovědnost za poškození trouby nebo zranění osob v důsledku nedodržení postupů elektrického připojení.

Dráty v tomto hlavním kabelu jsou barevné podle následujícího kódu:

Zelená a žlutá = UZEMNĚNÍ

Modrá = NEUTRÁL

Hnědá = FÁZE

RÁDIOVÉ RUŠENÍ

Provoz mikrovlnné trouby může způsobit rušení rádia, televize nebo podobného zařízení. Pokud dojde k rušení, může být sníženo nebo eliminováno následujícími opatřeními:

1. Vyčistěte dvířka a těsnící povrch trouby.
2. Přesměrujte přijímací anténu rádia nebo televize.
3. Přemístěte mikrovlnnou troubu s ohledem na přijímač.
4. Přesuňte mikrovlnnou troubu od přijímače.
5. Zapojte napájecí kabel počítače do jiné zásuvky tak, aby počítač a přijímač byly připojeny k různým větvím obvodu.

PŘED VYŽÁDÁNÍM SLUŽBY

Než požádáte o servis, zkontrolujte každou položku níže:

- Zkontrolujte, zda je trouba bezpečně zapojena. Pokud ne, vytáhněte zástrčku ze zásuvky, počkejte 10 sekund a znovu ji bezpečně zapojte.
- Zkontrolujte, zda není spálená pojistka obvodu nebo zda není vypnutý hlavní jistič. Pokud se zdá, že fungují správně, otestujte zásuvku jiným spotřebičem.
- Zkontrolujte, zda je ovládací panel správně naprogramován a časovač je nastaven.
- Zkontrolujte, zda jsou dvířka bezpečně zavřená s použitím systému zámku dvířek. Pokud nejsou dvířka správně zavřená, mikrovlnná energie nebude uvnitř proudit.

POKUD NIC Z VÝŠE UVEDENÉHO NEVYŘEŠÍ PROBLÉM, OBRAŤTE SE NA KVALIFIKOVANÉHO TECHNIKA. NESNAŽTE SE TROUBU UPRAVOVAT ANI OPRAVOVAT SAMI.

TECHNIKY VAŘENÍ

1. Opatrně připravte jídlo. Nejsilnější oblasti umístěte směrem k vnější straně nádoby.
2. Sledujte dobu přípravy pokrmu. Vařte co nejkratší dobu a podle potřeby přidejte další. Hodně převařené jídlo může kouřit nebo se i vznítit.
3. Během vaření zakryjte jídlo. Kryty zabraňují stříkání a pomáhají rovnoměrnému vaření jídla.
4. Během vaření s mikrovlnami jídlo jako kuře a hamburgery ke zrychlení vaření obraťte. Velké kusy, jako jsou pečeně, musí být otočeny alespoň jednou.
5. Jídlo jako masové kuličky uprostřed vaření promíchejte tak, aby se kuličky zdola dostaly nahoru a kuličky ze středu talíře na okraj.

PRŮVODCE KUCHYŇSKÝM NÁČINÍM

1. Mikrovlny nemohou procházet kovem. Používejte pouze nádobí vhodné pro použití v mikrovlnných troubách. Pro přípravu pokrmů a nápojů v mikrovlnné troubě nesmí být použity kovové nádoby. Tento požadavek neplatí, pokud výrobce uvede velikost a tvar kovových nádob vhodných pro vaření v mikrovlnné troubě.
2. Mikrovlny nemohou procházet kovem, nepoužívejte proto kovové nádoby nebo talíře s kovovým okrajem.
3. Při vaření s mikrovlnami nepoužívejte výrobky z recyklovaného papíru, mohou totiž obsahovat malé úlomky kovu, které by mohly při použití v troubě způsobit jiskření i požár.
4. Doporučujeme zvolit raději kulaté nebo oválné nádoby, protože ve čtvercových nebo obdélníkových se může jídlo v rozích přehřívat.
5. Úzké pásy hliníkové fólie lze použít k zabránění přehřátí exponovaných ploch. Ale buďte opatrní, nepoužívejte příliš mnoho a udržujte vzdálenost 2,54 cm mezi fólií a stěnou.

Níže uvedený seznam je obecným návodem, který vám pomůže vybrat správné nádobí.

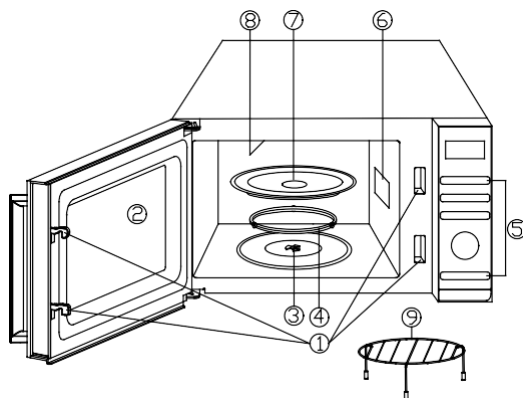
NÁDOBÍ	MIKROVLNÝ	GRIL	KOMBINOVANÉ VAŘENÍ
Tepelně odolné sklo	Ano	Ano	Ano
Sklo, které není tepelně odolné	Ne	Ne	Ne
Tepelně odolná keramika	Ano	Ano	Ano
Plastové nádobí bezpečné pro mikrovlnnou troubu	Ano	Ne	Ne
Kuchyňský papír	Ano	Ne	Ne
Kovový talíř	Ne	Ano	Ne
Kovový stojan	Ne	Ano	Ne
Hliníkové fólie a fóliové obaly	Ne	Ano	Ne

SPECIFIKACE

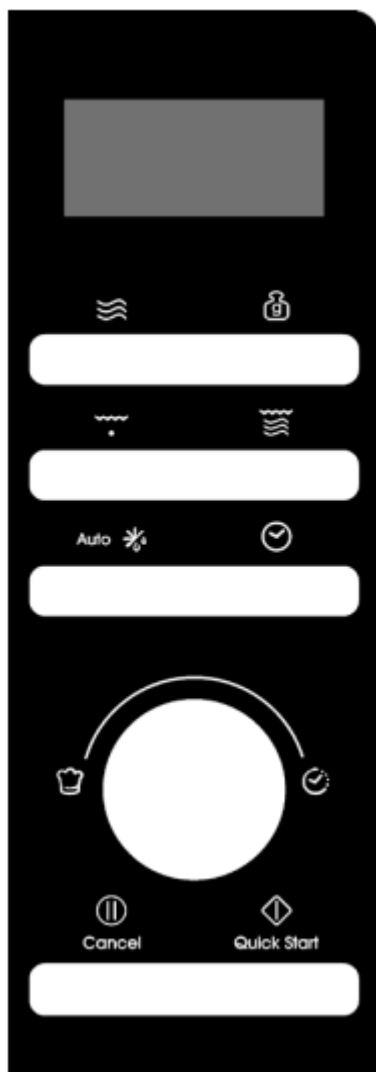
Spotřeba:	230-240 V/50 Hz, 1400 W (mikrovlnná trouba)
	1000 W (gril)
Jmenovitý výkon mikrovlnné trouby:	900 W
Provozní frekvence:	2450 MHz
Vnější rozměry:	281 mm (V) × 483 mm (Š) × 420 mm (H)
Rozměry vnitřní části trouby:	220 mm (V) × 340 mm (Š) × 344 mm (H)
Objem trouby:	25 litrů
Čistá hmotnost:	Přibližně 14,1 kg

DIAGRAM PRODUKTU

1. Systém bezpečnostního zámku dvířek
2. OKÉNKO TROUBY
3. Hřídél
4. Válečkový prsteneč
5. Ovládací panel
6. Průvodce vlnami (Neodstraňujte slídovou destičku zakrývající vlnovod)
7. Skleněný talíř
8. Ohřívač grilu
9. Kovový stojan



OVLÁDACÍ PANEL



● OBRAZOVKA AKCE MENU

Zobrazují se ukazatele času vaření, výkonu a akce.

● POWER

Stisknutím nastavíte úroveň výkonu mikrovlnné příprava pokrmů.

● NASTAVENÍ HMOTNOSTI

Stisknutím tlačítka nastavíte hmotnost jídla nebo porce.

● GRIL

Stisknutím tlačítka nastavíte program grilování.

● KOMBINACE

Stisknutím tlačítka nastavíte kombinovaný program.

● AUTOMATICKÉ ODMRAZOVÁNÍ Auto

Jedním stisknutím rozmrazíte potraviny podle času. Dvakrát stiskněte tlačítko pro rozmrazení potravin podle hmotnosti.

● CLOCK

Stisknutím nastavíte čas hodin.

● MENU/ČAS (vytáčení)

Otočením voliče nastavte čas. Otáčením voliče vyberte nabídku automatického vaření.

● PAUZA/ZRUŠIT Cancel


Jednou stiskněte pro dočasné zastavení vaření nebo dvakrát pro úplné zrušení vaření.

● START/RYCHLÝ START Quick Start

Stisknutím tlačítka spustíte programy vaření a rozmrazování.

Jednoduše jej několikrát stiskněte, abyste nastavili dobu přípravy pokrmu a vařili okamžitě na plné úrovni výkonu.

PROVOZNÍ POKYNY

- Při prvním zapojení trouby zazní zvukový signál a na displeji se zobrazí "1:01", .
- Během nastavování přerušeno na asi 25 sekund se trouba vrátí do pohotovostního režimu.
- Pokud během vaření jednou stisknete tlačítko PAUZA/ZRUŠIT, program se pozastaví, poté stiskněte tlačítko START/QUICK START pro pokračování. Pokud však dvakrát stisknete tlačítko PAUSE/CANCEL, program se zruší.
- Po skončení vaření se na displeji zobrazí End a každé dvě minuty zazní zvukový signál, dokud uživatel nestiskne tlačítko PAUSE/CANCEL nebo neotevře dvířka.
- Při provozu stiskněte platné tlačítko, bzučák zazvoní jednou, ale pokud stisknete neplatné tlačítko, bzučák zazvoní dvakrát.

NASTAVENÍ ČASU HODIN

Jedná se o 12- a 24hodinové hodiny, stisknutím tlačítka CLOCK v pohotovostním režimu můžete nastavit čas ve 12- nebo 24hodinovém cyklu.

1. V pohotovostním režimu opakovaným stisknutím tlačítka CLOCK zvolte 12hodinové nebo 24hodinové hodiny.
2. Otočením voliče MENU/ČAS nastavte číslici hodiny.
3. Stiskněte jednou tlačítko CLOCK.
4. Otočením voliče MENU/ČAS nastavte číslici minuty.
5. Jednou stiskněte tlačítko CLOCK pro potvrzení.

POZNÁMKA: Během vaření můžete zkontrolovat aktuální čas stisknutím tlačítka CLOCK.

EXPRESNÍ VAŘENÍ

Pomocí této funkce můžete troubu pohodlně naprogramovat na mikrovlnné ohřevy při 100% výkonu. V pohotovostním režimu stačí opakovaně stisknout tlačítko START/QUICK START a nastavit dobu pečení (každé stisknutí prodlouží dobu pečení o 30 sekund až na 10 minut), trouba začne automaticky pracovat na plný výkon.

MIKROVLNNÉ VAŘENÍ

1. V pohotovostním režimu opakovaným stisknutím tlačítka POWER zvolte úroveň výkonu.
2. Otočením voliče MENU/ČAS nastavte dobu vaření ve směru hodinových ručiček. Nejdelší doba je 95 minut.
3. Pro potvrzení stiskněte tlačítko START/Rychlý START.

Stisknutím tlačítka POWER zvolte úroveň výkonu:

Stiskněte tlačítko POWER	Výkon (displej)	Stiskněte tlačítko POWER	Výkon (displej)
Jen jednou	100% (100)	7krát	40% (40)
Dvakrát	90% (90)	8krát	30% (30)
3krát	80% (80)	9krát	20% (20)
4krát	70% (70)	10 krát	10% (10)
5krát	60% (60)	11krát	0% (00)
6krát	50% (50)		

POZNÁMKA: Během vaření můžete zkontrolovat úroveň výkonu vaření stisknutím tlačítka POWER.

ČAS ROZMRAZOVÁNÍ

1. V pohotovostním režimu stiskněte jednou tlačítko AUTOMATICKÉ ODMRAZOVÁNÍ.
2. Otočením voliče MENU/ČAS nastavte dobu rozmrazování. Nejdelší doba je 95 minut.
3. Pro potvrzení stiskněte tlačítko START/Rychlý start.

POZNÁMKA: Během rozmrazovacího programu se systém zastaví a zazní zvukový signál, aby uživateli připomněl otočení jídla, a poté stiskněte tlačítko START/Rychlý start pro pokračování.

ODMRAZOVÁNÍ HMOTNOSTI

Po naprogramování hmotnosti potravin se automaticky nastaví doba rozmrazování a úroveň výkonu. Hmotnost zmrazených potravin se pohybuje od 100 g do 1800 g.

1. V pohotovostním režimu stiskněte dvakrát tlačítko AUTOMATICKÉ ODMRAZOVÁNÍ.
2. Opakovaným stisknutím tlačítka WEIGHT ADJUST zvolte hmotnost potravin.
3. Pro potvrzení stiskněte tlačítko START/Rychlý start.

POZNÁMKA: Během rozmrazování se systém pozastaví a zvukovým signálem připomene uživateli, aby potraviny otočil a poté stisknutím tlačítka START/Quick start pokračovat.

GRIL

Grilování je zvlášť vhodné pro tenké plátky masa, bifteky, řízky, kebaby, uzeniny a kousky kuřete. Je také vhodné pro teplé sendviče a gratinovaná jídla.

1. V pohotovostním režimu stiskněte jednou tlačítko GRIL.
2. Otočením voliče MENU/ČAS nastavte dobu vaření. Nejdelší doba je 95 minut.
3. Pro potvrzení stiskněte tlačítko START/Rychlý Start.

KOMBINOVANÉ VAŘENÍ

Gril funguje déle než mikrovlnná trouba v režimu přípravy pokrmu kombinované vaření 1, použití pro ryby a gratinování. Ale mikrovlnná trouba funguje déle než gril v režimu přípravy pokrmu kombinované vaření 2, použití pro pudink, omelety, pečené brambory a drůbež.

1. V pohotovostním režimu stiskněte jednou nebo dvakrát tlačítko COMBINATION a vyberte "Co-1" nebo "Co-2".
2. Otočením voliče MENU/ČAS nastavte dobu vaření. Nejdelší doba je 95 minut.
3. Pro potvrzení stiskněte tlačítko START/Rychlý Start.

AUTOMATICKÉ ČIŠTĚNÍ

Do trouby vložte misku s 300 g vody a zavřete dvířka.

4. V pohotovostním režimu otočte jednou voličem MENU/TIME proti směru hodinových ručiček a poté jím otáčejte, dokud se na displeji nezobrazí „CLE“ a „AUTO“.
5. Jednou stiskněte tlačítko WEIGHT ADJUST.
6. Stiskněte tlačítko START/QUICK Start pro spuštění.

POZNÁMKY: Doba čištění je 10 minut.

DĚTSKÁ POJISTKA

Používejte tak, abyste zabránili dětem v obsluze trouby bez dozoru.

Vstup do dětské pojistky: Pokud v pohotovostním režimu neprovedete do jedné minuty žádnou operaci, trouba automaticky přejde do režimu dětské pojistky a rozsvítí se kontrolka pojistky. Ve stavu dětské pojistky jsou všechna tlačítka deaktivována.

Zrušení: V režimu dětské pojistky otevřete nebo zavřete dvířka trouby, abyste program zrušili, a kontrolka pojistky zhasne.

AUTOMATICKÉ VAŘENÍ

Pro následující jídlo nebo režim vaření není nutné programovat čas a výkon vaření. Stačí uvést druh pokrmu, které chcete vařit, a také hmotnost nebo porce pokrmu.

1. V pohotovostním režimu otočte voličem MENU/ČAS proti směru hodinových ručiček a zvolte kód jídla.

2. Opakovaným stisknutím tlačítka WEIGHT ADJUST zvolte hmotnost jídla nebo porce.
3. Pro potvrzení stiskněte tlačítko START/RYCHLÝ START.

Nabídky automatického vaření:

Kód	Pokrm	Hmotnost/ Množství	Poznámka
A-01	Mléko/káva/čaj (200 ml/šálek)	1 šálek	Na displeji se místo hmotnosti potraviny zobrazí počet porcí
		2 šálky	
		3 šálky	
A-02	špagety	100 g	
		200 g	
		300 g	
A-03	Brambor	100 g	
		200 g	
		300 g	
A-04	Automatický ohřev	200 g	
		300 g	
		400 g	
		500 g	
		600 g	
		700 g	
		800 g	
A-05	Ryby	200 g	
		300 g	
		400 g	
		500 g	
		600 g	
A-06	pražená kukuřice	100 g	
A-07	Kuře	800 g	Během pečení se trouba zastaví, aby uživatel připomněla, že má jídlo otočit, a poté
		900 g	
		1000 g	
		1100 g	

Kód	Pokrm	Hmotnost/ Množství	Poznámka
		1200 g	stiskněte tlačítko START/QUICK START pro pokračování v pečení
A-08	Hovězí/maso	200 kg	
		300 g	
		400 g	
		500 g	
		600 g	
A-09	Maso na špízu	100 kg	Během pečení se trouba zastaví, aby uživateli připomněla, že má jídlo otočit, a poté stiskněte tlačítko START/QUICK START pro pokračování v pečení
		200 kg	
		300 g	
		400 g	
		500 g	
A-10	Polévka	200 kg	
		400 g	
		600 g	
A-11	Kaše	50 kg	
		100 g	
		150 g	
A-12	Čerstvá zelenina	200 kg	
		300 g	
		400 g	
		500 g	
		600 g	
A-13	Mražená zelenina	200 kg	
		300 g	
		400 g	
		500 g	

Kód	Pokrm	Hmotnost/ Množství	Poznámka
		600 g	
A-14	Rýže	150 kg	
		300 g	
		450 g	
		600 g	
A-15	Pizza	150 kg	
		300 g	
		450 g	
A-16	Grilovaná ryba *	200 kg	Během pečení se trouba zastaví, aby uživateli připomněla, že má jídlo otočit, a poté stisknete tlačítko START/QUICK START pro pokračování v pečení
		300 kg	
		400 g	
		500 g	
		600 g	
A-17	Grilovaná slanina	100 kg	
		200 g	
		300 g	
A-18	Uzenky	100 kg	Během pečení se trouba zastaví, aby uživateli připomněla, že má jídlo otočit, a poté stisknete tlačítko START/QUICK START pro pokračování v pečení
		200 kg	
		300 g	
		400 g	
		500 g	
A-19	Autoclean/(výkon by byl kapka vody plná vnitřku dutiny)		

Výsledek automatického vaření závisí na tvaru a velikosti jídla, na tom, jak chcete, aby byla některá jídla důkladně propečena a dokonce i na tom, jak dobře umístíte jídlo do trouby. Pokud shledáte, že výsledek není v žádném případě zcela uspokojivý, jemně upravte dobu přípravy pokrmu odpovídajícím způsobem.

ČIŠTĚNÍ A PÉČE

1. Vypněte troubu a při čištění odpojte napájecí kabel ze zásuvky.
2. Udržujte vnitřek trouby čistý. Vystříknuté jídlo nebo rozlité tekutiny stačí setřít vlhkým hadříkem. Pokud je trouba velmi znečištěna, je možné použít i jemný čisticí prostředek. Nepoužívejte sprej ani jiné silné čisticí prostředky. Mohou zanechat na povrchu dvířek skvrny, šmouhy nebo ho mohou zmatnit.
3. Vnější povrch trouby by měl být vyčištěn vlhkým hadříkem. Aby nedošlo k poškození vnitřních stěn mikrovlnné trouby, dbejte na to, aby se do průduchů nedostala voda.
4. Vlhkým hadříkem často otírejte dvířka a okénko po obou stranách, těsnění dvířek a přilehlé části, abyste odstranili všechny stříkance a rozlití jídel. Nepoužívejte abrazivní čisticí prostředek.
5. Parní čistič se nepoužívá.
6. Nedovolte, aby se ovládací panel namočil. Vyčistěte měkkým, vlhkým hadříkem. Při čištění ovládacího panelu nechte otevřená dvířka trouby, aby nedošlo k náhodnému zapnutí trouby.
7. Pokud se pára nahromadí uvnitř nebo kolem dvířek trouby, otřete ji měkkým hadříkem. K tomu může dojít, pokud je mikrovlnná trouba provozována při vysoké vlhkosti. Je to běžný jev.
8. Občas je nutné vyjmout skleněný talíř a vyčistit jej. Umyjte talíř v teplé mýdlové vodě nebo v myčce.
9. Válečkový prstenec a dno trouby je třeba pravidelně čistit, aby nedocházelo k nadměrnému hluku. Jednoduše otřete dno trouby jemným čisticím prostředkem. Válečkový prstenec lze umýt v jemné mýdlové vodě nebo v myčce. Při demontáži válečkového prstence jej nezapomeňte nasadit ve správné poloze.
10. Zápach z trouby odstraníte kombinací šálky vody se šťávou a kůží jednoho citronu v misce do mikrovlnné trouby. Zapněte mikrovlnnou troubu na 5 minut. Důkladně ji otřete a vysušte měkkým hadříkem.
11. Pokud se vypálí žárovka, požádejte zákaznický servis o její výměnu.
12. Trouba by měla být pravidelně čištěna a veškeré zbytky potravin by měly být odstraněny. Neudržování trouby v čistém stavu může vést k poškození povrchu, které by mohlo nepříznivě ovlivnit životnost zařízení a způsobit nebezpečí.
13. Tento spotřebič nevyhazujte do domácího odpadu. Měl by být zlikvidován ve speciálním sběrném dvoře, který zřídila obec.
14. Při prvním použití mikrovlnné trouby s funkcí grilu se může vytvořit mírný kouř a zápach. Je to běžný jev, protože trouba je vyrobena z ocelového plechu potaženého mazacím olejem a nová trouba bude produkovat výpary a zápach, který vzniká spalováním mazacího oleje. Tento jev zmizí po určité době používání.

Tento spotřebič je označen v souladu s Evropskou směrnicí 2012/19/EU o odpadních elektrických a elektronických zařízeních z roku 2013, která se týká elektrických a

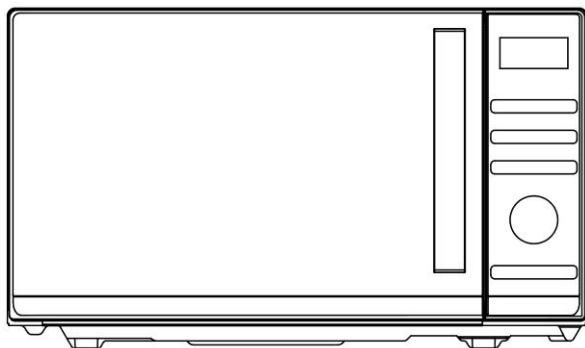


elektronických zařízení (OEEZ). OEEZ obsahuje znečišťující látky (které mohou mít negativní dopad na životní prostředí) i základní prvky (které lze znovu použít). Je důležité, aby OEEZ prošel specifickými úpravami, a znečišťující látky tak byly správně odstraněny a zlikvidovány, a aby byly obnoveny všechny materiály. Jednotlivci mohou hrát důležitou roli při zajišťování toho, aby se OEEZ nestal zátěží pro životní prostředí. Je nezbytné dodržovat několik základních pravidel:

- OEEZ se nesmí likvidovat jako domovní odpad;
- OEEZ by měl být odvezen do vyhrazených sběrných oblastí spravovaných městskou radou nebo registrovanou společností.

V případě objemného OEEZ mohou být v mnoha zemích k dispozici sběry z domácností. Při zakoupení nového spotřebiče lze vrátit starý spotřebič prodejci, který je povinen jej jednorázově bezplatně přijmout, pokud je spotřebič obdobného typu a má stejné funkce jako zakoupený spotřebič.

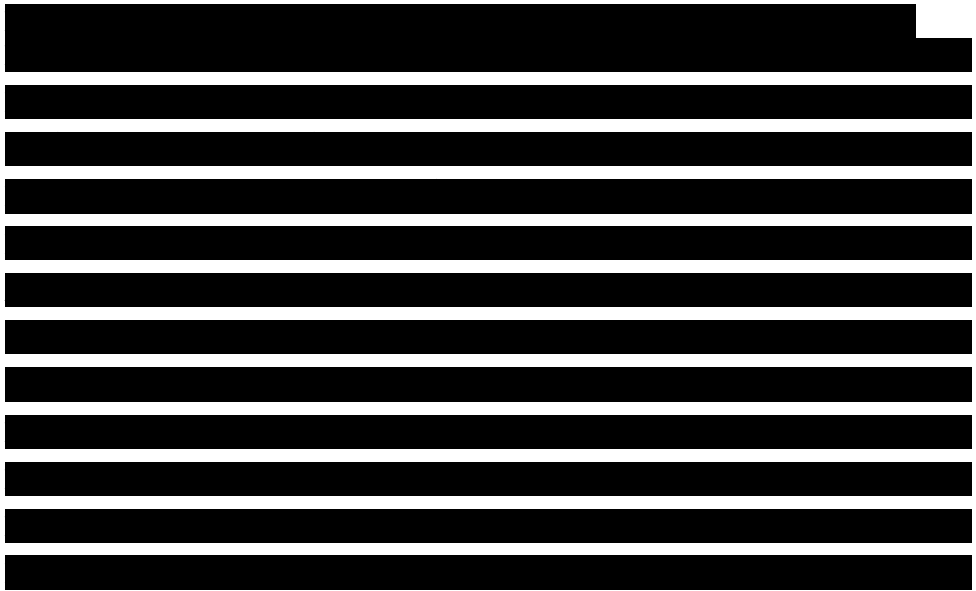
Instrucciones para el horno de microondas



Modelo: CMGA25TNDB

Lea estas instrucciones con mucha atención antes de instalar y utilizar el horno.

CONTENIDO



AJUSTE DE LA HORA DEL RELOJ	12
COCINA EXPRÉS	12
COCCIÓN CON MICROONDAS.....	12
DESCONGELAR POR TIEMPO	13
DESCONGELACIÓN POR PESO	13
GRILL	14
COMBINADO	14
LIMPIEZA AUTOMÁTICA	14
BLOQUEO INFANTIL.....	14
COCCIÓN AUTOMÁTICA	15



PRECAUCIONES PARA EVITAR POSIBLES EXPOSICIONES A UN EXCESO DE ENERGÍA DE MICROONDAS

1. Evite utilizar este horno con la puerta abierta, ya que ello podría exponerle a un nivel perjudicial de energía de microondas. Es sumamente importante no intentar evitar ni forzar los enclavamientos de seguridad.
2. No ponga ningún objeto entre la cara frontal del horno y la puerta, ni deje que se acumule suciedad ni residuos de limpiador sobre las superficies de las juntas.
3. No utilice el horno si está dañado. Es muy importante que la puerta del horno se cierre correctamente y que no se dañen
 - a) Puerta (incluyendo si curvada),
 - b) Bisagras y enclavamientos (no deben romperse ni aflojarse),
 - c) Juntas de las puertas y de otras superficies.
4. El horno no debe ser ajustado o reparado por nadie excepto por personal de servicio cualificado.

INSTRUCCIONES DE SEGURIDAD IMPORTANTES

Al utilizar electrodomésticos, deben observarse algunas precauciones básicas de seguridad como las siguientes:

¡ADVERTENCIA!- Para reducir el riesgo de quemaduras, descargas eléctricas, incendios, lesiones a personas o exposición a una excesiva energía de microondas:

1. Lea todas las instrucciones antes de utilizar el horno y consérvelas para consultarlas en caso necesario en el futuro.
2. Utilice este electrodoméstico sólo para el uso previsto, tal como se describe en el manual. No emplee vapores ni productos químicos corrosivos con este electrodoméstico. Este tipo de horno está específicamente diseñado para calentar, cocinar o secar comida. No está diseñado para uso industrial o en laboratorios.
3. No ponga en marcha el horno si está vacío.
4. No utilice este electrodoméstico si el cable o el conector están dañados, si no funciona correctamente o si se ha caído al suelo o ha sufrido cualquier tipo de daño. Para evitar riesgos, será necesario cambiar cualquier cable de alimentación que esté dañado. Esta operación deberán llevarla a cabo el fabricante, su representante de servicio o cualquier otra persona cualificada.

5. **¡ADVERTENCIA!**- Sólo permita que los niños usen el horno sin supervisión cuando se hayan dado las instrucciones adecuadas para que el niño pueda usar el horno de forma segura y entienda los peligros de un uso inadecuado.
6. **¡ADVERTENCIA!**- Cuando el electrodoméstico funciona en modo combinado, los niños sólo deben utilizar el horno bajo la supervisión de un adulto debido a las temperaturas generadas
7. Para limitar al mínimo el riesgo de fuego en el interior del horno:
 - Al calentar alimentos que vengan en un envase de plástico o papel, siempre hay riesgo de que dicho envase prenda fuego, por lo que deberá tener vigilar el horno en todo momento.
 - Antes de poner una bolsa de papel o plástico en el horno, quite de ella cualquier alambre de cierre que pueda tener.
 - Si observa algún tipo de humo, apague o desenchufe el aparato y deje cerrada la puerta para contener cualquier posible llama.
 - No utilice el interior del horno como espacio de almacenamiento. No deje papeles, utensilios de cocina ni alimentos en el interior del horno cuando no lo esté utilizando.
 - El horno microondas está pensado para calentar comida y bebida. Si lo utiliza para secar ropa o calentar almohadillas, zapatillas, esponjas, paños húmedos u otros objetos similares, existe el riesgo de que se produzcan incendios y lesiones.
8. **¡ADVERTENCIA!**- Los líquidos u otros alimentos no deben calentarse en recipientes sellados ya que pueden explotar.
9. Al calentar bebidas en microondas, es posible que, incluso después de detener el aparato, el líquido siga hirviendo de forma viva y, como consecuencia, se derrame parte de él. Por este motivo, se recomienda el máximo cuidado al manipular el recipiente.
10. No fría comida en el horno. El aceite caliente puede dañar los utensilios y las piezas del horno e incluso provocar quemaduras en la piel.
11. No se deben calentar huevos enteros ni huevos duros en el horno microondas, ya que podrían explotar incluso después de que el microondas se haya parado.
12. Antes de cocinar alimentos de cáscara gruesa (patatas, calabazas enteras, manzanas, castañas...), se recomienda practicar incisiones en dicha cáscara.
13. Al calentar, biberones y potitos, deberá agitarse o removerse el contenido y comprobarse la temperatura antes de servir para evitar posibles quemaduras.
14. Es posible que el calor de la comida calentada pase a los utensilios de cocina. Se recomienda utilizar paños para manejar el utensilio.
15. Además, habrá que comprobar que cada utensilio empleado sea apto para microondas.
16. **¡ADVERTENCIA!**- Las operaciones de reparación o mantenimiento que impliquen retirar una cubierta protectora contra energía de microondas debe realizarlas siempre personal cualificado. De lo contrario, dichas operaciones supondrían un riesgo.
17. Este microondas cumple con la norma EN 55011/CISPR 11, en esta norma pertenece a la clase B Grupo 2. Equipo del grupo 2: el grupo 2 contiene todos los equipos de radiofrecuencia ISM en los que la energía de radiofrecuencia en la gama de frecuencias de 9 kHz a 400 GHz se genera y utiliza intencionadamente o sólo se utiliza localmente, en forma de radiación electromagnética, acoplamiento inductivo y/o capacitivo, para el tratamiento de material, para fines de inspección/análisis o para la transferencia de energía electromagnética. El equipo de clase B es un

- equipo adecuado para su uso en lugares de entornos residenciales y en establecimientos conectados directamente a una red de suministro de energía de baja tensión que abastece a los edificios utilizados para fines domésticos.
18. Este aparato no está pensado para que lo utilicen personas (incluidos niños) con capacidades físicas, sensoriales o mentales reducidas, o con falta de experiencia y conocimiento, a menos que hayan sido supervisados o formados sobre el uso del dispositivo por parte de una persona responsable de su seguridad.
 19. Es necesario vigilar a los niños para asegurarse de que no jueguen con el electrodoméstico.
 20. El horno microondas deberá instalarse de manera que quede patente, sin elementos a su alrededor.
 21. **¡ADVERTENCIA!**- No instale el horno sobre hornillas u otros aparatos que generen calor. De hacerlo, podría sufrir daños y la garantía quedaría anulada.
 22. El horno microondas no deberá instalarse en un armario.
 23. Al utilizar el aparato, la puerta y otras superficies podrían calentarse bastante.
 24. **¡ADVERTENCIA!**- Las partes accesibles podría calentarse bastante al utilizar el electrodoméstico. Evite que los/as niños/as pequeños/as se acerquen a él.
 25. Los electrodomésticos, al utilizarlos, suelen calentarse bastante. Tanto en hornillas como en hornos, hay que tener cuidado de no tocar los elementos que generan calor.
 26. Al utilizar el aparato, las superficies accesibles podrían alcanzar temperaturas bastante elevadas.
 27. El aparato no deben utilizarlo niños/as ni personas con discapacidades físicas, sensoriales o mentales, ni tampoco aquellas que no tengan la debida experiencia y conocimientos, a menos que hayan recibido las instrucciones necesarias para ello o cuenten con la supervisión de otras personas.
 28. **¡ADVERTENCIA!**- Si la puerta o las juntas de esta sufren daños, no se deberá utilizar el horno hasta que la avería haya sido reparada por una persona competente.
 29. El aparato no están destinado a un funcionamiento por medio de un temporizador externo o de un sistema de control remoto independiente.
 30. El horno microondas es para uso estrictamente doméstico, no comercial.
 31. No desmonte el tope distanciador de la parte trasera o de los laterales; es esencial, ya que sirve para garantizar una distancia mínima respecto a la pared para que circule el aire.
 32. Para evitar daños, fije el plato giratorio antes de mover el aparato.
 33. **¡CUIDADO!**- Las tareas de reparación o mantenimiento del electrodoméstico debe llevarlas siempre a cabo un especialista, ya que es necesario retirar la cubierta que garantiza la protección contra la radiación de microondas, lo cual supone un riesgo. Lo mismo cabe decir para las actuaciones sobre el cable de alimentación o las luces. En estos casos, es obligatorio enviar el aparato a nuestro de centro de servicio técnico.
 34. El horno microondas está diseñado únicamente para descongelar y cocinar comida.
 35. Al sacar la comida ya calentada, utilice siempre manoplas.
 36. **¡Precaución!** Es posible que, al abrir tapas o retirar papel de aluminio, salga vapor.

37. Pueden utilizarlo niños a partir de 8 años de edad y personas con facultades físicas, sensoriales o mentales reducidas, o con falta de experiencia y conocimiento, si lo emplean bajo supervisión o se les instruye acerca de la seguridad del producto y entienden los riesgos que comporta. Los niños no deben jugar con el electrodoméstico. Las tareas de limpieza y mantenimiento no deben llevarlas a cabo niños/as, a menos que tengan al menos 8 años y cuenten con la supervisión de una persona adulta.
38. Si observa algún tipo de humo, apague o desenchufe el aparato y deje cerrada la puerta para contener cualquier posible llama.

GUÍA DE INSTALACIÓN

1. Asegúrese de quitar todos los materiales de empaquetado del interior de la puerta.
2. **¡ADVERTENCIA!**- Compruebe si el horno presenta algún tipo de daños. Por ejemplo, si la puerta está curvada o mal alineada, si las juntas de las puertas y de otras superficies están dañadas, si las bisagras y enclavamientos de la puerta están sueltos o rotos y si hay golpes o abolladuras en la puerta o en el interior del horno. En caso de detectarse algún daño, evite utilizar el horno y póngase en contacto con un técnico cualificado.
3. Este horno microondas debe colocarse sobre una superficie plana y estable y que aguante su peso y el de las comidas más pesadas que se prevea cocinar en el horno.
4. Evite colocar el horno en lugares donde se genere calor o altos niveles de humedad, así como cerca de materiales combustibles.
5. Para funcionar correctamente, es necesario que haya suficiente ventilación alrededor del horno. Deje un mínimo de 20 cm de espacio libre encima del horno y 5 cm a ambos lados. La placa trasera del horno microondas debe colocarse cerca de la pared. Evite cubrir o bloquear las aberturas del aparato. No quite las patas.
6. Antes de utilizar el horno, asegúrese de haber instalado en su lugar correcto el plato de vidrio, el soporte de rodillos y el eje.
7. Compruebe que el cable de alimentación no presente daños y que no quede colocado bajo el horno ni encima de ninguna superficie caliente o cortante.
8. La toma de corriente debe ser fácilmente accesible para poder desconectar rápidamente el apartado en caso de emergencia.
9. No utilice el horno en espacios al aire libre.

INSTRUCCIONES DE CONEXIÓN A TIERRA

Este aparato tiene que conectarse a tierra. El cable de alimentación cuenta con cable de tierra y conector con tierra. Debe enchufarse a una toma de pared debidamente instalada y puesta a tierra. En caso de cortocircuito, la conexión a tierra reduce el riesgo de descarga eléctrica, ya que se crea una vía de escape para la corriente eléctrica. Se recomienda utilizar un circuito aparte solo para el horno. El uso de circuitos de alta tensión es peligroso y puede provocar incendios y otros accidentes, incluidos daños en el horno. ¡**ADVERTENCIA!**- Un uso incorrecto del enchufe con toma de tierra puede dar lugar a un riesgo de descarga eléctrica. Nota:

1. Si tiene alguna duda sobre las instrucciones de conexión eléctrica o a tierra, consulte con un electricista o técnico cualificado.
2. El fabricante y el distribuidor al que se adquiera el producto declinan cualquier posible responsabilidad derivada de daños sufridos por el horno o daños personales derivados de no observar las instrucciones de conexión eléctrica.

Los hilos del cable llevan colores que corresponden a lo siguiente:

Verde y amarillo = TIERRA

Azul = NEUTRAL

Marrón = CORRIENTE

INTERFERENCIAS DE RADIO

El horno microondas puede interferir en los equipos de radio, TV y otros similares. Tales interferencias, en caso de producirse, pueden limitarse o eliminarse adoptando las siguientes medidas:

1. Limpiar la puerta y las juntas del horno.
2. Reorientar la antena receptora de radio o televisión.
3. Cambiar de sitio el horno microondas con respecto al receptor.
4. Alejar el horno microondas del receptor.
5. Enchufar el horno microondas a una toma diferente de manera que el horno y el receptor estén en circuitos diferentes.

ANTES DE LLAMAR AL SERVICIO

Antes de llamar el servicio, por favor, compruebe cada elemento de abajo:

- Compruebe que el horno esté bien conectado. De lo contrario, quite el enchufe de la toma de corriente, espere 10 segundos y vuelva a enchufarlo con seguridad.
- Compruebe si ha saltado algún fusible, térmico o disyuntor del circuito eléctrico. Si dichos elementos funcionan correctamente, compruebe si esa toma está en buen estado conectando otro aparato.
- Compruebe que el panel de control está programado correctamente y que el temporizador está ajustado.
- Compruebe que la puerta esté bien cerrada, activando el sistema de bloqueo de la puerta. Si la puerta no está bien cerrada, la energía de las microondas no fluirá hacia el interior.

SI EL PROBLEMA NO SE SOLUCIONA CON LAS ACCIONES ANTERIORES, PÓNGASE EN CONTACTO CON UN TÉCNICO CUALIFICADO. NO INTENTE AJUSTAR NI REPARAR EL HORNO POR SU CUENTA.

TÉCNICAS DE COCCIÓN

1. Prepare la comida de manera organizada. Ponga los alimentos de mayor grosor en torno a los bordes del plato.
2. Observe con atención el tiempo de cocción. Cocine la comida durante el menor tiempo posible; así podrá añadir más tiempo si hace falta. La comida, si se cocina demasiado, puede echar humo o incluso entrar en combustión.
3. Cubra los alimentos cuando vaya a cocinarlos. Así evitará posibles salpicaduras y todo se cocinará de manera más uniforme.
4. Cuando vaya a cocinar, por ejemplo, pollo o hamburguesas con microondas, deles la vuelta una vez para acelerar la cocción. Si va a cocinar algo de gran tamaño (por ejemplo, una pieza de carne para asado), deberá darle la vuelta al menos una vez.
5. Si va a cocinar alimentos como albóndigas, a mitad de la cocción muévelo todo de abajo arriba y del centro del plato hacia el exterior.

GUÍA DE UTENSILIOS DE COCINA

1. La energía de microondas no puede penetrar en el metal. Utilice siempre utensilios aptos para hornos microondas. Los recipientes metálicos para comida y bebida no son aptos para cocinar en microondas. Esta norma no será aplicable si el fabricante especifica que son aptos para microondas recipientes metálicos de determinado tamaño y forma.
2. La energía de microondas no puede penetrar en el metal, por lo que no se deben utilizar utensilios ni platos metálicos, ni que tengan decoraciones metálicas.
3. Al cocinar con microondas, evite utilizar productos fabricados con papel reciclado, ya que pueden contener pequeños fragmentos metálicos que, a su vez, podrían generar chispas o provocar incendios.
4. Se recomienda utilizar platos redondos u ovalados antes que cuadrados o con puntas, ya que la comida que quede en las esquinas tiende a cocinarse demasiado.
5. Pueden aplicarse tiras de papel de aluminio para evitar que las áreas expuestas se cocinen en exceso. Eso sí, deberá utilizar el mínimo posible y tener mucho cuidado de dejar un espacio de 2,54 cm entre el papel de aluminio y las paredes del interior del horno.

A continuación figura una guía de carácter general que le ayudará a utilizar los utensilios correctos.

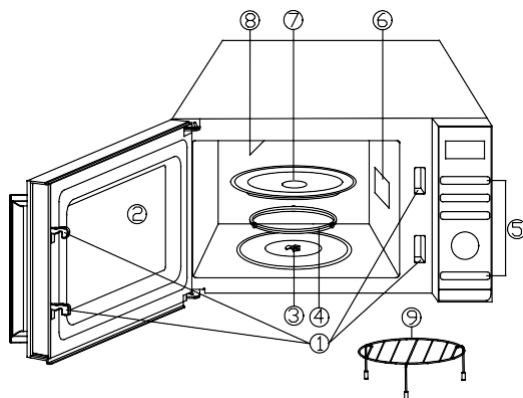
UTENSILIOS DE COCINA	MICROONDAS	GRILL	COMBINADO
Vidrio refractario	Sí	Sí	Sí
Vidrio no refractario	No	No	No
Cerámica refractaria	Sí	Sí	Sí
Plato de plástico apto para microondas	Sí	No	No
Papel de cocina	Sí	No	No
Bandeja metálica	No	Sí	No
Rejilla metálica	No	Sí	No
Papel de aluminio o recipientes de dicho material	No	Sí	No

ESPECIFICACIONES

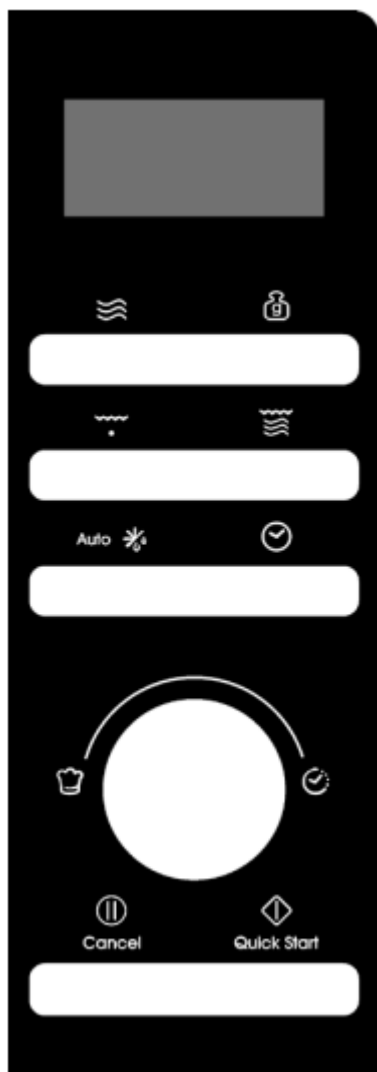
Consumo de energía:	230-240 V/50 Hz, 1400 W (microondas) 1000 W (Grill)
Potencia nominal de salida de microondas:	900 W
Frecuencia durante el funcionamiento:	2450 MHz
Dimensiones exteriores:	281 mm (Al) x 483 mm (An) x 420 mm (Pr)
Dimensiones del interior del horno:	220 mm (Al) x 340 mm (An) x 344 mm (Pr)
Capacidad del horno:	25 litros
Peso neto:	Aproximadamente 14,1 kg

ESQUEMA DEL PRODUCTO

1. Sistema de bloqueo de seguridad de la puerta
2. Ventana del horno
3. Eje
4. Anillo de rodillo
5. Panel de control
6. guía-ondas
7. Plato de vidrio
8. Calentador de grill
9. Rejilla metálica



PANEL DE CONTROL



● PANTALLA DE MENÚ Y ACCIONES

Se muestran los indicadores de tiempo de cocción, potencia y acción.

● POWER

Pulse para establecer el nivel de potencia de cocción del microondas.

● AJUSTE DE PESO

Pulse para ajustar el peso de los alimentos o las porciones.


● GRILL

Pulse para establecer el programa de cocción con el grill.

● COMBINACIÓN

Pulse para fijar el programa de combinación.

● DESCONGELACIÓN AUTOMÁTICA

Auto 

Pulse una vez para descongelar los alimentos en función del tiempo. Pulse dos veces para descongelar los alimentos en función del peso.

● RELOJ

Pulse para ajustar la hora del reloj.

● MENU/TIME (dial)

Gire el dial para ajustar la hora.

Gire el dial para seleccionar el menú de cocción automática.

● PAUSA/CANCELACIÓN Cancel |


Si se pulsa una vez, se detendrá la cocción temporalmente; si se pulsa dos veces, se cancelará el proceso de cocción.

● INICIO/ARRANQUE RÁPIDO Quick Start

Pulse para iniciar los programas de cocción y descongelación.

Sólo tienes que pulsarlo varias veces para ajustar el tiempo de cocción y cocinar inmediatamente a máxima potencia.

INSTRUCCIONES DE USO

- Cuando el horno se enchufe por primera vez, sonará un pitido y la pantalla mostrará "1:01", .
- En el proceso de ajuste, con una interrupción de unos 25 segundos el horno volverá al modo de espera.
- Durante la cocción, si se pulsa una vez el botón PAUSE/CANCEL, el programa se pondrá en pausa, y luego se pulsará el botón START/QUICK START para reanudarlo. Pero si se pulsa dos veces el botón PAUSE/CANCEL, el programa se cancelará.
- Una vez finalizada la cocción, la pantalla mostrará Fin y sonará un pitido cada dos minutos hasta que el usuario pulse el botón PAUSA/CANCELAR o abra la puerta.
- En el proceso de funcionamiento, si se pulsa un botón válido, el zumbador suena una vez, pero si se pulsa un botón no válido, el zumbador suena dos veces.

AJUSTE DE LA HORA DEL RELOJ

Este es un reloj de 12 y 24 horas, puede elegir ajustar la hora del reloj en un ciclo de 12 o 24 horas pulsando el botón CLOCK en el modo de espera.

1. En el modo de espera, pulse repetidamente el botón CLOCK para elegir el reloj de 12 o 24 horas.
2. Gire el dial MENU/TIME para ajustar el dígito de la hora.
3. Pulse el botón CLOCK una vez.
4. Gire el dial MENU/TIME para ajustar el dígito de los minutos.
5. Pulse el botón CLOCK una vez para confirmar.

NOTA: Durante la cocción, puede comprobar la hora actual del reloj pulsando el botón CLOCK.

COCINA EXPRÉS

Utilice esta función para programar el horno para calentar los alimentos en el microondas al 100% de potencia de forma conveniente. En el modo de espera, basta con pulsar repetidamente el botón START/QUICK START para ajustar el tiempo de cocción (cada pulsación para aumentar 30 segundos, y hasta 10 minutos), el horno empieza a funcionar automáticamente a plena potencia.

COCCIÓN CON MICROONDAS

1. En el modo de espera, pulse el botón POWER repetidamente para seleccionar el nivel de potencia.
2. Gire el dial MENU/TIME en el sentido de las agujas del reloj para ajustar el tiempo de cocción. El tiempo más largo es de 95 minutos.
3. Pulse el botón ARRANQUE/INICIO RÁPIDO para confirmar.

Pulse el botón POWER para seleccionar el nivel de potencia:

PULSAR BOTÓN POWER	Potencia (Pantalla)	PULSAR BOTÓN POWER	Potencia (Pantalla)
Una vez	100% (100)	Siete veces	40%(40)
Dos veces	90% (90)	8 veces	30% (30)
Tres veces	80% (80)	9 veces	20% (20)
Cuatro veces	70%(70)	10 veces	10% (10)
Cinco veces	60% (60)	11 veces	0% (00)
Seis veces	50% (50)		

NOTA: Durante la cocción, puede comprobar el nivel de potencia de cocción pulsando el botón POWER.

DECONGELAR POR TIEMPO

1. En el modo de espera, pulse el botón AUTO DEFROST una vez.
2. Gire el dial MENU/TIME para ajustar el tiempo de descongelación. El tiempo más largo es de 95 minutos.
3. Pulse el botón ARRANQUE/INICIO RÁPIDO para confirmar.

NOTA: Durante el programa de descongelamiento, el sistema se pondrá en pausa y se emitirán unos pitidos para avisar al usuario de que debe darle la vuelta a los alimentos; a continuación, pulse ARRANQUE/INICIO RÁPIDO para reanudar.

DESCONGELACIÓN POR PESO

El tiempo de descongelación y el nivel de potencia se ajustan automáticamente una vez programado el peso de los alimentos. El peso de los alimentos congelados oscila entre 100 g y 1800 g.

1. En el modo de espera, pulse dos veces el botón AUTO DEFROST.
2. Pulse el botón de AJUSTE DE PESO repetidamente para seleccionar el peso del alimento.
3. Pulse el botón ARRANQUE/INICIO RÁPIDO para confirmar.

NOTA: Durante la descongelación, el sistema hará una pausa y emitirá un sonido para recordar al usuario que debe dar la vuelta a los alimentos y, a continuación, pulsar el botón START/QUICK START para reanudar.

GRILL

La cocción con grill es particularmente útil para las rebanadas finas de carne, filetes, chuletas, brochetas, chorizos y trozos de pollo. También es adecuada para sándwiches calientes y platos gratinados.

1. En el modo de espera, pulse el botón GRILL una vez.
2. Gire el dial MENU/TIME para ajustar el tiempo de cocción. El tiempo más largo es de 95 minutos.
3. Pulse el botón ARRANQUE/INICIO RÁPIDO para confirmar.

COMBINADO

El grill funciona más tiempo que el microondas en el modo de cocción combinada 1, usado para el pescado y el gratinado. Pero el microondas funciona más tiempo que el grill en el modo de cocción combinada 2, que se usa para el pudín, las tortillas, las patatas asadas y el pollo.

1. En el modo de espera, pulse el botón COMBINACIÓN una o dos veces para seleccionar "Co-1" o "Co-2".
2. Gire el dial MENU/TIME para ajustar el tiempo de cocción. El tiempo más largo es de 95 minutos.
3. Pulse el botón ARRANQUE/INICIO RÁPIDO para confirmar.

LIMPIEZA AUTOMÁTICA

Ponga un recipiente de 300 g de agua en el horno y cierre la puerta.

1. En el modo de espera, gire el dial de MENÚ/HORA en sentido antihorario una vez y luego gire el dial hasta que la pantalla muestre "CLE" y "AUTO".
2. Pulse el botón de AJUSTE DE PESO una vez.
3. Pulse el botón INICIO/INICIO RÁPIDO para iniciar

NOTA: El tiempo de limpieza es de 10 minutos.

BLOQUEO INFANTIL

Utilícelo para evitar que los niños manejen el horno sin supervisión.

Para entrar en el bloqueo a prueba de niños: En el modo de espera, si no hay ninguna operación en un minuto, el horno entrará automáticamente en el modo de bloqueo para niños y la luz indicadora de bloqueo se encenderá. En el estado de bloqueo, todos los botones están desactivados.

Para cancelar: En el modo de bloqueo para niños, abra o cierre la puerta del horno para cancelar el programa y la luz indicadora de bloqueo se apagará.

COCCIÓN AUTOMÁTICA

Para el siguiente alimento o modo de cocción, no es necesario programar el tiempo y la potencia de cocción. Basta con indicar el tipo de alimentos que se quiere cocer, así como el peso o las porciones de alimentos.

1. En el modo de espera, gire el dial MENU/TIME en sentido contrario a las agujas del reloj para seleccionar el código de alimentos.
2. Pulse el botón AJUSTE DE PESO repetidamente para seleccionar el peso de los alimentos o las porciones.
3. Pulse el botón ARRANQUE/INICIO RÁPIDO para confirmar.

Menús de cocción automática:

Código	Alimentos	Peso/cantidad	Nota
A-01	Leche/Café/Té (200 ml/taza)	1 taza	La pantalla mostrará el número de porciones en lugar del peso del alimento
		2 tazas	
		3 tazas	
A-02	Espaguetis	100 g	
		200 g	
		300 g	
A-03	Patata	100 g	
		200 g	
		300 g	
A-04	Recalentamiento automático	200 g	
		300 g	
		400 g	
		500 g	
		600 g	
		700 g	
		800 g	
A-05	Pescado	200 g	
		300 g	
		400 g	
		500 g	
		600 g	
A-06	Palomitas de maíz	100 g	
A-07	Carne de pollo	800 g	Durante la cocción, el horno se
		900 g	

Código	Alimentos	Peso/cantidad	Nota
		1000 g	detendrá para recordar al usuario que debe dar la vuelta a los alimentos, después de lo cual pulse el botón START/QUICK START para reanudar la cocción
		1100 g	
		1200 g	

Código	Alimentos	Peso/cantidad	Nota
A-08	Carne de vacuno/carne de cordero	200 g	
		300 g	
		400 g	
		500 g	
		600 g	
A-09	Brochetas de carne	100 g	Durante la cocción, el horno se detendrá para recordar al usuario que debe dar la vuelta a los alimentos, tras lo cual deberá pulsar el botón START/QUICK START para reanudar la cocción
		200 g	
		300 g	
		400 g	
		500 g	
A-10	la sopa	200 g	
		400 g	
		600 g	
A-11	la gacha	50 g	
		100 g	
		150 g	
A-12	hortaliza en estado natural	200 g	
		300 g	
		400 g	
		500 g	
		600 g	
A-13	Verduras congeladas	200 g	
		300 g	
		400 g	
		500 g	
		600 g	
A-14	Arroz	150 g	
		300 g	
		450 g	
		600 g	

Código	Alimentos	Peso/cantidad	Nota
A-15	Pizza	150 g	
		300 g	
		450 g	
A-16	Pescado asado	200 g	Durante la cocción, el horno se detendrá para recordar al usuario que debe dar la vuelta a los alimentos, tras lo cual deberá pulsar el botón START/QUICK START para reanudar la cocción
		300 g	
		400 g	
		500 g	
		600 g	
A-17	tocino asado	100 g	
		200 g	
		300 g	
A-18	Salchichas y embutidos	100 g	Durante la cocción, el horno se detendrá para recordar al usuario que debe dar la vuelta a los alimentos, tras lo cual deberá pulsar el botón START/QUICK START para reanudar la cocción
		200 g	
		300 g	
		400 g	
		500 g	
A-19	Autoclean/(el rendimiento sería la gota de agua llena del interior de la cavidad)		

El resultado de la cocción automática depende de factores como la forma y el tamaño de los alimentos, sus preferencias personales en cuanto a la cocción de ciertos alimentos e incluso la forma en que se colocan los alimentos en el horno. Si el resultado no es satisfactorio, por favor ajuste el tiempo de cocción un poco.

LIMPIEZA Y MANTENIMIENTO

1. Antes de limpiar el horno, apáguelo y desenchufe el cable de alimentación de la pared.
2. El interior del horno deberá estar siempre limpio. Si se salpican alimentos o se derraman líquidos y se adhieren a las paredes del horno, límpielos con un paño húmedo. Si el horno está muy sucio, puede utilizar un detergente no agresivo. Evite el uso de aerosoles u otros limpiadores fuertes. Pueden manchar, rayar o embotar la superficie de la puerta.
3. Las superficies exteriores del horno deben limpiarse con un paño humedecido. Para evitar daños en los mecanismos interiores del horno, hay que evitar que entre agua en las aberturas de ventilación.
4. Limpie frecuentemente con un paño humedecido las posibles salpicaduras que queden sobre la puerta y la ventana, las juntas de la puerta y las piezas adyacentes. No utilice limpiadores abrasivos.
5. No utilice limpiadores a vapor.
6. Evite que se moje el panel de control. Limpie el electrodoméstico con un paño suave y levemente humedecido. Al limpiar el panel de control, deje abierta la puerta del horno para evitar que este pueda ponerse en marcha accidentalmente.
7. En caso de acumularse vapor dentro o fuera de la puerta del horno, límpielo con un paño suave. Esta situación puede presentarse al utilizar el horno microondas en situaciones de alta humedad ambiental. Es totalmente normal.
8. En ocasiones, es necesario sacar el plato de vidrio para limpiarlo. Limpie el plato de vidrio en agua templada con jabón, o en el lavavajillas.
9. El anillo de rodillo y el fondo del horno deben limpiarse con regularidad para evitar ruidos excesivos. Basta con pasar por la superficie del suelo del horno un paño humedecido en un detergente no abrasivo. El anillo de rodillo puede lavarse en agua templada con jabón, o en el lavavajillas. Al sacar el anillo de rodillo para limpiarlo, asegúrese después de colocarlo siempre en la posición correcta.
10. Para evitar olores en el horno, recomendamos poner un vaso de agua, el jugo y la piel de un limón en un recipiente hondo apto para microondas. Poner en el microondas durante 5 minutos. Limpie bien y seque con un paño seco.
11. Si la bombilla se quema, por favor contacte con el servicio de atención al cliente para que la cambien.
12. El horno debe limpiarse con regularidad, con especial atención a los posibles restos de alimentos. Si el horno no se mantiene en buenas condiciones de limpieza, podría deteriorarse la superficie, lo cual, a su vez, podría afectar negativamente a la vida útil del electrodoméstico e incluso crear situaciones de riesgo.
13. No deseche este electrodoméstico con el resto de los residuos domésticos. Debe llevarlo al centro de reciclaje más cercano en el municipio.
14. La primera vez que se utilice el horno microondas con la función *grill*, es posible que se note un poco de humo y cierto olor. Se trata de una incidencia normal, ya que el horno está hecho de una placa de acero con aceite lubricante; un horno nuevo generará cierto olor al quemar el aceite lubricante. Este problema desaparecerá después de un tiempo de utilizar el electrodoméstico.



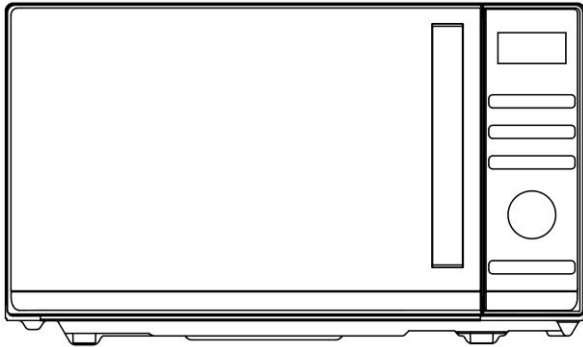
Este electrodoméstico está certificado conforme a la Directiva Europea 2012/19/UE sobre residuos de aparatos eléctricos y electrónicos (RAEE) y regulaciones de 2013. Los dispositivos RAEE contienen sustancias contaminantes (que pueden tener consecuencias negativas para el medio ambiente) y componentes básicos (que pueden reutilizarse). Es importante que dichos dispositivos estén sujetos a tratamientos específicos para eliminar y desechar correctamente todos los

contaminantes y recuperar todos los materiales. Cada individuo puede desempeñar un papel importante a la hora de garantizar que los dispositivos RAEE no se conviertan en un problema medioambiental; para ello, es fundamental seguir algunas reglas básicas:

- los dispositivos RAEE no deben tratarse como residuos domésticos;
- los dispositivos RAEE deben llevarse a los puntos de recogida específicos gestionados por el ayuntamiento o por una empresa registrada.

En muchos países, puede haber disponible un servicio de recogida a domicilio de los RAEE de gran tamaño. Cuando se compra un nuevo aparato, el viejo puede entregarse al vendedor, que debe adquirirlo gratuitamente siempre que el aparato sea de tipo equivalente y tenga las mismas funciones que el que se ha adquirido.

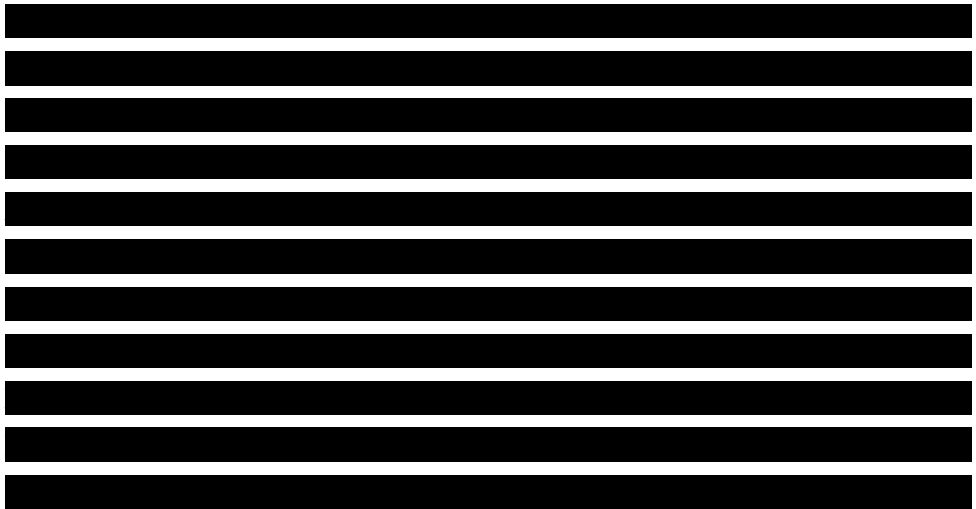
Mode d'emploi du micro-ondes



Modèle : CMGA25TNDB

Veillez lire attentivement ces instructions avant d'installer et d'utiliser le four.

SOMMAIRE



REGLAGE DE L'HEURE DE L'HORLOGE	12
CUISSON EXPRESS.....	12
CUISSON AU MICRO-ONDES.....	12
DECONGELATION MINUTEE.....	13
DEGIVRAGE DU POIDS	13
GRILL.....	14
COMBINAISON.....	14
VERROUILLAGE ENFANT.....	14
CUISSON AUTOMATIQUE	15



LES PRÉCAUTIONS À PRENDRE POUR ÉVITER UN EXCÈS D'EXPOSITION AUX MICRO-ONDES

1. N'essayez pas de faire fonctionner le four avec la porte ouverte, car le fonctionnement avec la porte ouverte peut entraîner une exposition dangereuse aux micro-ondes. Il est important de ne pas forcer ou altérer les dispositifs de verrouillage de sécurité.
2. Ne placez aucun objet entre la face avant du four et la porte et ne laissez pas la saleté ou les résidus de nettoyage s'accumuler sur les surfaces d'étanchéité.
3. Ne faites pas fonctionner le four s'il est endommagé. Il est très important que la porte du four ferme correctement et qu'il n'y ait pas de dommages à la
 - a) Porte (y compris toute partie pliée),
 - b) aux charnières et aux loquets (cassés ou desserrés),
 - c) aux joints d'étanchéité de la porte et aux surfaces d'étanchéité.
4. Le four ne doit être réglé ou réparé que par du personnel d'entretien qualifié.

CONSIGNES DE SÉCURITÉ IMPORTANTES

Lors de l'utilisation d'appareils électriques, des précautions de base doivent être prises, notamment les suivantes :

AVERTISSEMENT ! Pour réduire les risques de brûlures, de chocs électriques, d'incendie, de blessures ou d'excès d'exposition aux micro-ondes :

1. Lisez toutes les instructions avant d'utiliser l'appareil et conservez-les pour pouvoir les consulter par la suite.
2. N'utilisez cet appareil que pour l'usage auquel il est destiné, tel que décrit dans le manuel. N'utilisez pas de produits chimiques ou de vapeurs corrosives dans cet appareil. Ce type de four est spécialement conçu pour chauffer, cuire ou sécher des aliments. Il n'est pas conçu pour une utilisation industrielle ou de laboratoire.
3. Ne faites pas fonctionner le four lorsqu'il est vide.
4. N'utilisez pas cet appareil si son cordon ou sa fiche est endommagé, s'il ne fonctionne pas correctement ou s'il a été endommagé ou fait tomber. Si le câble d'alimentation est endommagé, il doit être remplacé par le fabricant, son agent d'entretien ou des personnes possédant le même type de qualification, afin d'éviter tout danger.
5. **ATTENTION !** --Ne permettez aux enfants d'utiliser le four sans surveillance que lorsque des instructions adéquates leur ont été dispensées de sorte que ces enfants

soient capables d'utiliser le four de manière sûre et qu'ils aient compris les dangers impliqués par une utilisation non appropriée.

6. **AVERTISSEMENT !** Lorsque l'appareil fonctionne en mode combiné, les enfants ne doivent utiliser le four que sous la surveillance d'un adulte en raison des températures générées
7. Pour réduire le risque d'incendie dans la cavité du four :
 - Lorsque vous faites chauffer des aliments dans un récipient en plastique ou en papier, gardez un œil sur le four en raison du risque d'inflammation.
 - Retirez les attaches métalliques des sacs en papier ou en plastique avant de placer ces derniers dans le four.
 - Si vous remarquez de la fumée, éteignez ou débranchez l'appareil et garder la porte fermée afin d'étouffer toute flamme.
 - N'utilisez pas la cavité à des fins de stockage. Ne laissez pas de produits en papier, d'ustensiles de cuisine ou d'aliments dans la cavité lorsque le four n'est pas utilisé.
 - Le four à micro-ondes est destiné à chauffer des aliments et des boissons. Le séchage des vêtements et le réchauffement des coussins chauffants, pantoufles, éponges, tissus humides et autres peuvent entraîner un risque de blessure, d'ignition ou d'incendie.
8. **ATTENTION !**--Les liquides ou autres nourritures ne doivent pas être chauffés dans des récipients fermés, car ils risqueraient d'exploser.
9. Le réchauffement au micro-ondes de boissons peut entraîner une forte ébullition, soyez donc prudent au moment de la manipulation du récipient.
10. Ne faites pas frire d'aliments dans le four. L'huile chaude peut endommager les pièces du four et les ustensiles de cuisine, ou même provoquer des brûlures sur la peau.
11. Les œufs dans leur coquille et les œufs durs entiers ne doivent pas être chauffés dans le four à micro-ondes, car ils risqueraient d'exploser, même après que le micro-ondes se soit éteint.
12. Percez les aliments à peau épaisse comme les pommes de terre, les courges entières, les pommes et les châtaignes avant de les faire cuire.
13. Le contenu des biberons et des pots pour bébé doit être remué ou agité et la température de l'aliment doit être vérifiée avant de servir, afin d'éviter toute brûlure.
14. Les ustensiles de cuisson peuvent devenir très chauds à cause du transfert de chaleur des aliments chauffés. Des gants de cuisine peuvent être nécessaires pour manipuler l'ustensile.
15. Les ustensiles doivent être vérifiés pour contrôler qu'ils sont adaptés à l'utilisation au four à micro-ondes.
16. **AVERTISSEMENT !** Il est dangereux pour toute personne autre qu'une personne formée d'effectuer des interventions de service ou de réparation qui impliquent le retrait du couvercle de protection contre l'exposition aux micro-ondes.
17. Ce micro-ondes est conforme à la norme EN 55011/CISPR 11, dans laquelle il appartient à la classe B du groupe 2. Équipements du groupe 2 : le groupe 2 comprend tous les équipements ISM RF dans lesquels de l'énergie radio-électrique dans la gamme de fréquences de 9 kHz à 400 GHz est intentionnellement générée et utilisée, ou seulement utilisée localement, sous forme de rayonnement électromagnétique, de couplage inductif et/ou capacitif, pour le traitement de matériaux, à des fins d'inspection ou d'analyse ou pour le transfert d'énergie électromagnétique. Les équipements de classe B sont des équipements adaptés à

- une utilisation dans des lieux d'habitation et dans des établissements directement connectés à un réseau d'alimentation électrique basse tension, qui alimente des bâtiments à usage domestique.
18. L'utilisation de cet appareil est interdite à toute personne (y compris les enfants) aux capacités physiques et mentales réduites, ou dépourvues d'expérience dans l'utilisation d'appareillages électriques, à moins qu'elles ne soient surveillées ou instruites par des personnes adultes et responsables pour leur sécurité.
 19. Surveillez les enfants afin qu'ils ne jouent pas avec l'appareil.
 20. Le four à micro-ondes n'est utilisé que de manière autonome.
 21. **ATTENTION !**--N'installez pas le four au-dessus d'une table de cuisson ou d'un autre appareil produisant de la chaleur. Dans le cas contraire, il risquerait d'être endommagé et la garantie serait annulée.
 22. Le four à micro-ondes ne doit pas être installé dans une armoire.
 23. La porte ou la surface externe peut devenir très chaude lorsque l'appareil fonctionne.
 24. **AVERTISSEMENT !**--Les pièces accessibles peuvent devenir très chaudes pendant l'utilisation. Les jeunes enfants doivent être tenus à l'écart.
 25. Pendant l'utilisation, les appareils deviennent chauds. Il faut veiller à éviter de toucher les éléments chauffants à l'intérieur du four, pour les cuisinières et les fours .
 26. La température des surfaces accessibles peut monter très haut lorsque l'appareil fonctionne.
 27. L'appareil ne doit pas être utilisé par des enfants ou des personnes ayant des capacités physiques, sensorielles ou mentales réduites, ou manquant d'expérience et de connaissances, sauf s'ils sont surveillés ou qu'ils ont été instruits sur le fonctionnement de l'appareil.
 28. **AVERTISSEMENT !**--Si la porte ou les joints de porte sont endommagés, le four ne doit pas être utilisé tant qu'il n'a pas été réparé par une personne qualifiée.
 29. Les appareils ne sont pas destinés à être utilisés au moyen d'une minuterie externe ou d'un système de commande à distance séparé.
 30. Le four à micro-ondes est réservé à un usage domestique et non à un usage commercial.
 31. Ne jamais retirer le calage d'écartement du mur à l'arrière ou sur les côtés, car il assure un minimum de circulation de l'air.
 32. Veuillez sécuriser le plateau tournant avant de déplacer l'appareil pour éviter d'abîmer l'appareil .
 33. **ATTENTION !**--Il est dangereux de faire réparer ou d'entretenir l'appareil par une personne non qualifiée ou non experte, car dans ces circonstances, il faut retirer le couvercle qui assure la protection contre les radiations micro-ondes. Cela s'applique également au changement du cordon d'alimentation ou de l'éclairage. Dans ce cas, envoyez l'appareil à notre centre d'assistance.
 34. Le four à micro-ondes est uniquement destiné à la décongélation, à la cuisson et à la cuisson à la vapeur d'aliments.
 35. Utilisez des gants de cuisine si vous devez retirer des aliments chauds.
 36. Attention ! De la vapeur s'échappe lorsque vous retirez le couvercle ou le film du récipient.

37. Cet appareil peut être utilisé par des enfants âgés de 8 ans et plus, par des personnes dont les capacités physiques, sensorielles ou mentales sont réduites ou par des personnes dénuées d'expérience et de connaissances, mais qui ont été informées sur la manière d'utiliser l'appareil en toute sécurité, si elles comprennent les risques impliqués. Les enfants ne doivent pas jouer avec l'appareil. Le nettoyage et l'entretien par l'utilisateur ne doivent pas être effectués par des enfants, sauf s'ils sont âgés de 8 ans et plus et qu'ils sont surveillés.
38. Si de la fumée est émise, éteignez ou débranchez l'appareil et gardez la porte fermée afin d'étouffer les flammes.

GUIDE D'INSTALLATION

1. Veillez à ce que tous les matériaux d'emballage soient extraits de l'intérieur de la porte.
2. **AVERTISSEMENT !**--Vérifiez que le four n'est pas endommagé, par exemple que la porte n'est pas mal alignée ou déformée, que les joints de porte et la surface d'étanchéité ne soient pas endommagés, que les charnières et les loquets de la porte ne soient pas cassés ou desserrés et que l'intérieur de la cavité ou la porte ne soient pas bosselés. En cas de dommage, ne faites pas fonctionner le four et contactez le personnel qualifié du service après-vente.
3. Ce four à micro-ondes doit être installé sur une surface plane et stable qui supporte son poids et les aliments les plus lourds susceptibles d'être cuits à l'intérieur.
4. N'installez pas le four dans un emplacement où de la chaleur et de l'humidité sont susceptibles d'être générées, ni près de matériaux combustibles.
5. Pour un fonctionnement correct, le four doit avoir un débit d'air suffisant. Prévoyez au minimum 20 cm d'espace libre au-dessus de la surface supérieure du four et 5 cm des deux côtés. La plaque arrière du four à micro-ondes doit être placée près du mur. Ne couvrez ni ne bloquez aucune ouverture de l'appareil. Ne démontez pas les pieds de l'appareil.
6. Ne faites pas fonctionner le four si le plateau en verre, le support tournant et l'arbre ne sont pas en bonne position.
7. Assurez-vous que le cordon d'alimentation n'est pas endommagé et qu'il ne passe pas sous le four ou sur une surface chaude ou coupante.
8. La prise doit être facilement accessible afin de pouvoir débrancher l'appareil en cas d'urgence.
9. N'utilisez pas le four à l'extérieur.

INSTRUCTIONS DE MISE À LA TERRE

Cet appareil doit être mis à la terre. Ce four est équipé d'un cordon ayant un fil de terre avec une prise de terre. Il doit être branché dans une prise murale correctement installée et avec mise à la terre. En cas de court-circuit électrique, la mise à la terre réduit le risque de choc électrique en fournissant un fil de fuite pour le courant électrique. Il est recommandé de prévoir un circuit séparé ne desservant que le four. L'utilisation d'un courant de haute tension est dangereuse et peut entraîner un incendie ou un autre accident provoquant des dommages au four. **AVERTISSEMENT !** Une utilisation incorrecte de la prise de terre peut entraîner un risque de choc électrique. Remarque :

1. Si vous avez des questions concernant la mise à la terre ou les instructions électriques, consultez un électricien qualifié ou une personne du service d'assistance.
2. Ni le fabricant ni le revendeur ne peuvent être tenus pour responsables des dommages causés au four ou des blessures corporelles résultant du non-respect des procédures de raccordement électrique.

Les fils de ce câble principal sont colorés selon le code suivant :

Vert et jaune = TERRE

Bleu = NEUTRE

Marron = SOUS TENSION

INTERFERENCES RADIO

Le fonctionnement du four à micro-ondes peut provoquer des interférences avec votre radio, votre télévision ou tout autre équipement semblable. Lorsqu'il y a interférence, elle peut être réduite ou éliminée en prenant les mesures suivantes :

1. Nettoyez la porte et la surface d'étanchéité du four.
2. Réorientez l'antenne de réception de la radio ou de la télévision.
3. Déplacez le four à micro-ondes par rapport au récepteur.
4. Éloignez le four à micro-ondes du récepteur.
5. Branchez le four à micro-ondes dans une prise différente de sorte que le four à micro-ondes et le récepteur soient sur des circuits différents.

AVANT D'APPELER LE SERVICE APRES-VENTE

Avant de vous adresser au service d'assistance, veuillez vérifier les points suivants :

- Vérifiez que le four est bien branché. Si ce n'est pas le cas, débranchez la fiche de la prise, attendez 10 secondes, et rebranchez-la en toute sécurité.
- Vérifiez si un fusible ou le disjoncteur principal a sauté. S'ils semblent fonctionner correctement, testez la prise avec un autre appareil.
- Vérifiez que le panneau de commande est correctement programmé et que la minuterie est réglée.
- Vérifiez que la porte est bien fermée, après avoir engagé le système de verrouillage de la porte. Si la porte n'est pas correctement fermée, l'énergie des micro-ondes ne circulera pas à l'intérieur.

SI AUCUN DES ÉLÉMENTS CI-DESSUS NE PERMET DE CORRIGER LA SITUATION, ALORS CONTACTEZ UN TECHNICIEN QUALIFIÉ. N'ESSAYEZ PAS DE RÉGLER OU DE RÉPARER LE FOUR PAR VOUS-MÊME.

TECHNIQUES DE CUISSON

1. Disposez la nourriture avec soin. Placez les morceaux les plus épais vers l'extérieur du plat.
2. Regardez le temps de cuisson. Cuisinez pendant la durée la plus courte indiquée et prolongez si nécessaire. Les aliments excessivement cuits peuvent faire de la fumée ou s'enflammer.
3. Couvrez les aliments pendant la cuisson. Les couvercles empêchent les éclaboussures et aident les aliments à cuire uniformément.
4. Retournez les aliments une fois pendant la cuisson au micro-ondes, pour en accélérer la cuisson s'il s'agit d'aliments tels que du poulet ou des hamburgers. Les gros aliments comme les rôtis doivent être retournés au moins une fois .
5. Réorganisez les aliments, tels que les boulettes de viande, à mi-cuisson, en plaçant les morceaux du dessous dessus et vice versa et les morceaux du centre du plat vers l'extérieur et vice versa.

GUIDE DES USTENSILES DE CUISINE

1. Les micro-ondes ne peuvent pas contenir de métal. N'utilisez que des ustensiles adaptés aux fours à micro-ondes. Les récipients métalliques pour les aliments et les boissons ne sont pas autorisés pendant la cuisson au micro-ondes. Cette exigence n'est pas applicable si le producteur précise la taille et la forme des récipients métalliques adaptés à la cuisson au micro-ondes.
2. Le micro-ondes ne peut pas pénétrer dans le métal, c'est pourquoi les ustensiles en métal ou les plats avec des garnitures métalliques ne doivent pas être utilisés.
3. N'utilisez pas de produits en papier recyclé pour la cuisson au micro-ondes, car ils peuvent contenir de petits fragments de métal qui peuvent provoquer des étincelles et/ou des incendies.
4. Les plats ronds ou ovales plutôt que carrés ou oblongs sont préférés, car dans les coins la nourriture a tendance à trop cuire.
5. Des bandes étroites de papier d'aluminium peuvent être utilisées pour éviter la cuisson excessive des morceaux les plus exposés. Mais attention, n'en utilisez pas trop et gardez une distance de 2,5 cm entre la feuille et la paroi de la cavité.

La liste ci-dessous est un guide général pour vous aider à choisir les bons ustensiles.

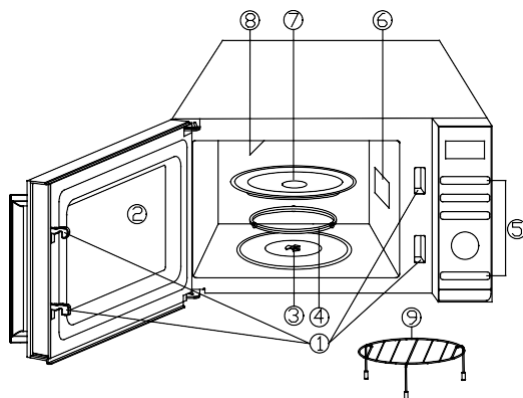
USTENSILES DE CUISINE	FOUR À MICRO-ONDES	GRILL	COMBINÉ
Verre résistant à la chaleur	Oui	Oui	Oui
Verre non résistant à la chaleur	Non	Non	Non
Céramiques résistantes à la chaleur	Oui	Oui	Oui
Plat en plastique pour micro-ondes	Oui	Non	Non
Papier de cuisine	Oui	Non	Non
Plateau en métal	Non	Oui	Non
Étagère en métal	Non	Oui	Non
Feuilles et récipients en aluminium	Non	Oui	Non

CARACTÉRISTIQUES

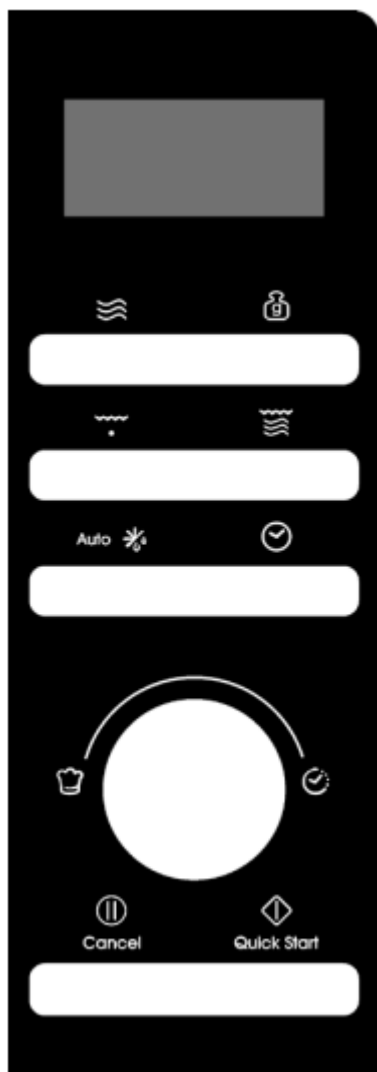
Consommation d'énergie :	230-240 V/50 Hz, 1400 W (micro-ondes)
	1000W (Grill)
Puissance nominale de sortie du micro-ondes :	900 W
Fréquence de fonctionnement :	2450MHz
Dimensions extérieures :	281mm(H)×483mm(W)×420mm(D)
Dimensions de la cavité du four :	220mm(H)×340mm(W)×344mm(D)
Capacité du four :	25 Litres
Poids net	Environ 14,1 kg

DIAGRAMME DU PRODUIT

1. Système de verrouillage de sécurité de la porte
2. Fenêtre du four
3. Arbre
4. Anneau tournant
5. Panneau de commande
6. guide à ondes
(Veuillez ne pas retirer la plaque de mica qui recouvre le guide d'ondes)
7. Plateau en verre
8. Résistance du grill
9. Étagère en métal



PANNEAU DE CONTRÔLE



● ÉCRAN D'ACTION MENU

Les indicateurs de temps de cuisson, de puissance et d'action sont affichés.

● PUISSANCE

Appuyez sur cette touche pour régler le niveau de puissance de cuisson au micro-ondes.

● RÉGLAGE DU POIDS

Appuyez pour régler le poids des aliments ou les portions.

● GRILL

Appuyez pour régler le programme de cuisson sur le gril.

● COMBINAISON

Appuyez sur pour régler le programme de combinaison.

● DÉCONGÉLATION AUTOMATIQUE

Appuyez une fois pour décongeler les aliments en fonction du temps. Appuyez deux fois sur cette touche pour décongeler les aliments en fonction de leur poids.

● CLOCK

Appuyez sur cette touche pour régler l'heure.

● MENU/TIME (cadran)

Tournez le cadran pour régler l'heure. Tournez la molette pour sélectionner le menu de cuisson automatique.

● PAUSE/CANCEL Cancel

Appuyez une fois pour arrêter temporairement la cuisson, ou deux fois pour l'annuler complètement.


● DÉMARRAGE/ DÉMARRAGE

RAPIDE Quick Start

Appuyez sur cette touche pour lancer les programmes de cuisson et de décongélation.

Il suffit d'appuyer plusieurs fois sur ce bouton pour régler le temps de cuisson et cuire immédiatement à pleine puissance.

INSTRUCTIONS D'EXPLOITATION

- Lorsque le four est branché pour la première fois, un signal sonore retentit et l'écran affiche "1:01", "".
- En cours de réglage, en cas d'arrêt d'au moins 25 secondes, le four revient en mode veille.
- Pendant la cuisson, si vous appuyez une fois sur la touche PAUSE/CANCEL, le programme sera mis en pause, puis appuyez sur la touche START/QUICK START pour reprendre. Mais si vous appuyez deux fois sur le bouton PAUSE/CANCEL, le programme sera annulé.
- Une fois la cuisson terminée, l'écran affiche End et un signal sonore retentit toutes les deux minutes jusqu'à ce que l'utilisateur appuie sur la touche PAUSE/CANCEL ou ouvre la porte.
- En cours de fonctionnement, si vous appuyez sur un bouton valide, le buzzer sonne une fois, mais si vous appuyez sur un bouton invalide, le buzzer sonne deux fois.

REGLAGE DE L'HEURE DE L'HORLOGE

Il s'agit d'une horloge de 12 et 24 heures, vous pouvez choisir de régler l'heure de l'horloge sur un cycle de 12 ou 24 heures en appuyant sur le bouton CLOCK en mode veille.

1. En mode veille, appuyez plusieurs fois sur la touche CLOCK pour choisir l'horloge 12 heures ou 24 heures.
2. Tournez le bouton MENU/TIME pour régler le chiffre des heures.
3. Appuyez une fois sur le bouton CLOCK.
4. Tournez le bouton MENU/TIME pour régler le chiffre des minutes.
5. Appuyez une fois sur la touche CLOCK pour confirmer.

REMARQUE : Pendant la cuisson, vous pouvez vérifier l'heure actuelle en appuyant sur la touche CLOCK.

CUISSON EXPRESS

Utilisez cette fonction pour programmer le four de façon à ce que les aliments soient cuits au micro-ondes à 100 % de leur puissance. En mode veille, il suffit d'appuyer plusieurs fois sur la touche START/QUICK START pour régler le temps de cuisson (chaque pression augmente de 30 secondes, et jusqu'à 10 minutes), le four commence à fonctionner automatiquement à pleine puissance.

CUISSON AU MICRO-ONDES

1. En mode veille, appuyez plusieurs fois sur la touche POWER pour sélectionner le niveau de puissance.

2. Tournez la molette MENU/TIME dans le sens des aiguilles d'une montre pour régler le temps de cuisson. La durée la plus longue est 95 minutes.
3. Appuyez sur le bouton MISE EN MARCHÉ/MISE EN MARCHÉ RAPIDE pour confirmer .

Appuyez sur la touche POWER pour sélectionner le niveau de puissance :

Appuyez sur le bouton d'alimentation	Puissance (Écran)	Appuyez sur le bouton d'alimentation	Puissance (Écran)
Une fois	100% (100)	7 fois	40% (40)
Deux fois	90% (90)	8 fois	30% (30)
3 fois	80% (80)	9 fois	20% (20)
4 fois	70% (70)	10 fois	10% (10)
5 fois	60% (60)	11 fois	0% (00)
6 fois	50% (50)		

REMARQUE : Pendant la cuisson, vous pouvez vérifier le niveau de puissance de cuisson en appuyant sur la touche POWER.

DECONGELATION MINUTEE

1. En mode veille, appuyez une fois sur la touche AUTO DEFROST.
2. Tournez la molette MENU/TIME pour régler le temps de dégivrage. La durée la plus longue est 95 minutes.
3. Appuyez sur le bouton MISE EN MARCHÉ/MISE EN MARCHÉ RAPIDE pour confirmer .

REMARQUE : Pendant le programme de décongélation, le système fait une pause et émet un son pour rappeler à l'utilisateur de retourner les aliments. Ensuite, appuyez sur la touche MISE EN MARCHÉ/MISE EN MARCHÉ RAPIDE pour reprendre la cuisson.

DEGIVRAGE DU POIDS

Le temps de décongélation et le niveau de puissance sont automatiquement réglés une fois que le poids des aliments est programmé. Le poids des aliments congelés varie de 100 g à 1800 g.

1. En mode veille, appuyez deux fois sur le bouton AUTO DEFROST.
2. Appuyez sur la touche WEIGHT ADJUST à plusieurs reprises pour sélectionner le poids de l'aliment.
3. Appuyez sur le bouton MISE EN MARCHÉ/MISE EN MARCHÉ RAPIDE pour confirmer.

REMARQUE : Pendant le dégivrage, le système fait une pause et émet un son pour rappeler à l'utilisateur de retourner les aliments de retourner les aliments, puis d'appuyer sur la touche START/QUICK START pour reprendre.

GRILL

La cuisson sur le grill est particulièrement utile pour les fines tranches de viande, les steaks, les côtelettes, les brochettes, les saucisses et les morceaux de poulet. Il convient également aux sandwichs chauds et aux plats gratinés.

1. En mode veille, appuyez une fois sur la touche GRILL.
2. Tournez la molette MENU/TIME pour régler le temps de cuisson. La durée la plus longue est 95 minutes.
3. Appuyez sur le bouton MISE EN MARCHÉ/MISE EN MARCHÉ RAPIDE pour confirmer .

COMBINAISON

Le grill fonctionne plus longtemps que le micro-ondes en mode de cuisson combinée 1, à utiliser pour le poisson et le gratin. Mais le micro-ondes fonctionne plus longtemps que le grill en mode de cuisson combiné 2, à utiliser pour le pudding, les omelettes, les pommes de terre au four et la volaille.

1. En mode veille, appuyez une ou deux fois sur la touche COMBINATION pour sélectionner "Co-1" ou "Co-2".
2. Tournez la molette MENU/TIME pour régler le temps de cuisson. La durée la plus longue est 95 minutes.
3. Appuyez sur le bouton MISE EN MARCHÉ/MISE EN MARCHÉ RAPIDE pour confirmer .

NETTOYAGE AUTOMATIQUE

Mettez un bol de 300 g d'eau dans le four et fermez la porte.

4. En mode veille, tournez la molette MENU/TIME une fois dans le sens inverse des aiguilles d'une montre, puis tournez la molette jusqu'à ce que l'écran affiche « CLE » et « AUTO ».
5. Appuyez une fois sur le bouton WEIGHT ADJUST.
6. Appuyez sur la touche START/QUICK START pour commencer.

REMARQUE : Le temps de nettoyage est de 10 minutes.

VERROUILLAGE ENFANT

Utilisez-le pour empêcher les enfants d'utiliser le four sans surveillance.

Pour entrer dans la sécurité enfant : En mode veille, si aucune opération n'est effectuée dans un délai d'une minute, le four passe automatiquement en mode sécurité enfants et le témoin de verrouillage s'allume. À l'état verrouillé, tous les boutons sont désactivés.

Pour annuler : En mode de verrouillage enfant, ouvrez ou fermez la porte du four pour annuler le programme et le voyant de verrouillage s'éteint.

CUISSON AUTOMATIQUE

Pour l'aliment ou le mode de cuisson suivant, il n'est pas nécessaire de programmer le temps et la puissance de cuisson. Il suffit d'indiquer le type d'aliments que vous souhaitez cuisiner, ainsi que le poids ou les portions de cet aliment.

1. En mode veille, tournez le bouton MENU/TIME dans le sens inverse des aiguilles d'une montre pour sélectionner le code alimentaire.
2. Appuyez sur la touche WEIGHT ADJUST à plusieurs reprises pour sélectionner le poids de l'aliment ou les portions.
3. Appuyez sur le bouton MISE EN MARCHÉ/MISE EN MARCHÉ RAPIDE pour confirmer.

Menus de cuisson automatique :

Code	Aliment	Poids/Quantité	Remarques
A-01	Lait/Café/Thé (200 ml/tasse)	1 tasse	L'écran affiche le nombre de portions au lieu du poids de l'aliment
		2 tasses	
		3 tasses	
A-02	Pâtes	100 g	
		200 g	
		300 g	
A-03	Pomme de terre	100 g	
		200 g	
		300 g	
A-04	RÉCHAUFFAGE AUTOMATIQUE	200 g	
		300 g	
		400 g	
		500 g	
		600 g	
		700 g	
		800 g	
A-05	Poisson	200 g	
		300 g	
		400 g	
		500 g	
		600 g	
A-06	Popcorns	100 g	
A-07	Poulet	800 g	Pendant la cuisson, le four s'arrête pour
		900 g	

Code	Aliment	Poids/Quantité	Remarques
		1000 g	rappeler à l'utilisateur de retourner les aliments, puis il appuie sur la touche START/QUICK START pour reprendre la cuisson
		1100 g	
		1200 g	
A-08	Bœuf/Mouton	200 g	
		300 g	
		400 g	
		500 g	
		600 g	
A-09	Brochettes de viande	100 g	Pendant la cuisson, le four s'arrête pour rappeler à l'utilisateur de retourner les aliments, puis il appuie sur la touche START/QUICK START pour reprendre la cuisson
		200 g	
		300 g	
		400 g	
		500 g	
A-10	Soupe	200 g	
		400 g	
		600 g	
A-11	Porridge	50 g	
		100 g	
		150 g	
A-12	Légumes frais	200 g	
		300 g	
		400 g	
		500 g	
		600 g	
A-13	Légumes congelés	200 g	
		300 g	
		400 g	
		500 g	
		600 g	
A-14	Riz	150 g	
		300 g	
		450 g	

Code	Aliment	Poids/Quantité	Remarques
		600 g	
A-15	Pizza	150 g	
		300 g	
		450 g	
A-16	Parillada de poissons	200 g	Pendant la cuisson, le four s'arrête pour rappeler à l'utilisateur de retourner les aliments, puis il appuie sur la touche START/QUICK START pour reprendre la cuisson
		300 g	
		400 g	
		500 g	
		600 g	
A-17	Bacon grillé	100 g	
		200 g	
		300 g	
A-18	Saucisses et saucissons	100 g	Pendant la cuisson, le four s'arrête pour rappeler à l'utilisateur de retourner les aliments, puis il appuie sur la touche START/QUICK START pour reprendre la cuisson
		200 g	
		300 g	
		400 g	
		500 g	
A-19	Autoclean/(la performance serait la goutte d'eau remplissant l'intérieur de la cavité)		

Le résultat de la cuisson automatique dépend de facteurs tels que la forme et la taille de l'aliment, de votre préférence personnelle quant à la cuisson de certains aliments, ainsi que de la façon dont vous avez placé les aliments dans le four. Si vous trouvez que de toute façon le résultat n'est pas parfaitement satisfaisant, veuillez régler la durée de cuisson en conséquence.

NETTOYAGE ET ENTRETIEN

1. Éteignez le four et débranchez son cordon d'alimentation du mur lors du nettoyage du four.
2. Gardez l'intérieur du four propre. Lorsque des éclaboussures d'aliments ou des liquides renversés adhèrent aux parois du four, essuyez-les avec un chiffon humide. Utilisez un détergent doux si le four est très sale. Évitez d'utiliser des sprays ou d'autres nettoyeurs agressifs. Ils risquent de tacher, de laisser des traces ou de ternir la surface de la porte.
3. L'extérieur du four doit être nettoyé avec un chiffon humide. Pour éviter d'endommager les pièces de fonctionnement à l'intérieur du four, il ne faut pas laisser l'eau s'infiltrer dans les ouvertures de ventilation.
4. Essuyez fréquemment la porte et la fenêtre des deux côtés, les joints de la porte et les parties adjacentes avec un chiffon humide pour éliminer tout déversement ou éclaboussure. N'utilisez pas de nettoyeur abrasif.
5. Les nettoyeurs à vapeur ne doivent pas être utilisés.
6. Ne laissez pas le panneau de commande mouillé. Nettoyez-le avec un chiffon doux et humide. Lorsque vous nettoyez le panneau de commande, laissez la porte du four ouverte, pour éviter que le four ne s'allume accidentellement.
7. Si de la vapeur s'accumule à l'intérieur ou à l'extérieur de la porte du four, essuyez-la avec un chiffon doux. Cela peut se produire lorsque le four à micro-ondes est utilisé dans des conditions d'humidité élevée. Et c'est normal.
8. Il est parfois utile de retirer le plateau en verre pour le nettoyer. Lavez le plateau dans de l'eau chaude et savonneuse ou dans un lave-vaisselle.
9. L'anneau tournant et le bas de la cavité du four doivent être nettoyés régulièrement pour éviter tout bruit excessif. Il suffit d'essuyer la surface inférieure du four avec un détergent doux. L'anneau tournant peut être lavé dans de l'eau douce et savonneuse ou dans un lave-vaisselle. Après avoir retiré l'anneau tournant, veillez à le réinstaller dans la bonne position.
10. Éliminez les odeurs de votre four en posant une tasse d'eau mélangée au jus et à la peau d'un citron dans le micro-ondes. Faites fonctionner votre micro-ondes pendant 5 minutes. Essuyez et séchez avec un chiffon doux.
11. Si l'ampoule grille, veuillez contacter le service client pour la faire remplacer.
12. Le four doit être nettoyé régulièrement et tout dépôt de nourriture doit être éliminé. Si le four n'est pas maintenu propre, cela peut détériorer les surfaces de l'appareil, nuire à sa durée de vie et éventuellement créer une situation dangereuse.
13. Veuillez ne pas jeter cet appareil dans les ordures ménagères ; il doit être déposé dans un centre de tri spécialement prévu par votre municipalité.
14. Lorsque le four à micro-ondes avec fonction grill est utilisé pour la première fois, il peut produire une légère fumée et une légère odeur. Cela est normal, car le four est constitué d'une plaque en acier recouverte d'une huile lubrifiante, et que le four neuf produit de la fumée et une odeur générées par la combustion de cette huile lubrifiante. Ce phénomène disparaîtra au bout d'une période d'utilisation.

Cet appareil est conforme à la directive Européenne 2012/19/UE relative aux règlements 2013 sur les Déchets d'équipements électriques et électroniques (DEEE) (Waste Electrical

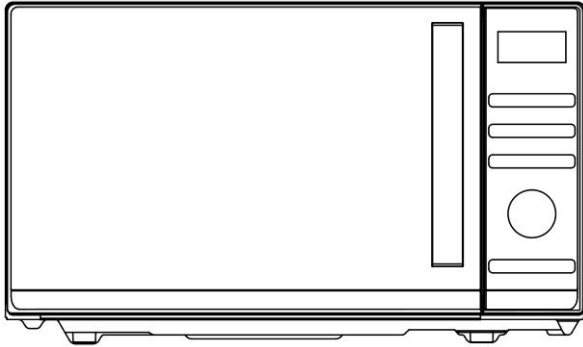


and Electronic Equipment - WEEE). La catégorie DEEE recouvre à la fois les substances polluantes (pouvant avoir des retombées négatives sur l'environnement) et les composants de base (pouvant être réutilisés). Il est important que les DEEE subissent des traitements spécifiques pour éliminer et jeter correctement les polluants et récupérer tous les matériaux. Chaque individu peut jouer un rôle important en veillant à ce que les produits DEEE ne deviennent pas un problème pour l'environnement. Pour cela, il est essentiel de suivre quelques règles de base :

- les DEEE ne doivent pas être traités comme des déchets ménagers ;
- les DEEE doivent être amenés à des zones de collecte spécifiques gérées par le conseil municipal ou une société dûment enregistrée.

Dans de nombreux pays, des décharges domestiques peuvent être disponibles pour de grands DEEE. Lorsque vous achetez un nouvel appareil, l'ancien peut être retourné au détaillant qui est en devoir de le récupérer sans frais, à titre exceptionnel, tant que l'équipement est de type équivalent et a les mêmes fonctions que l'équipement fourni.

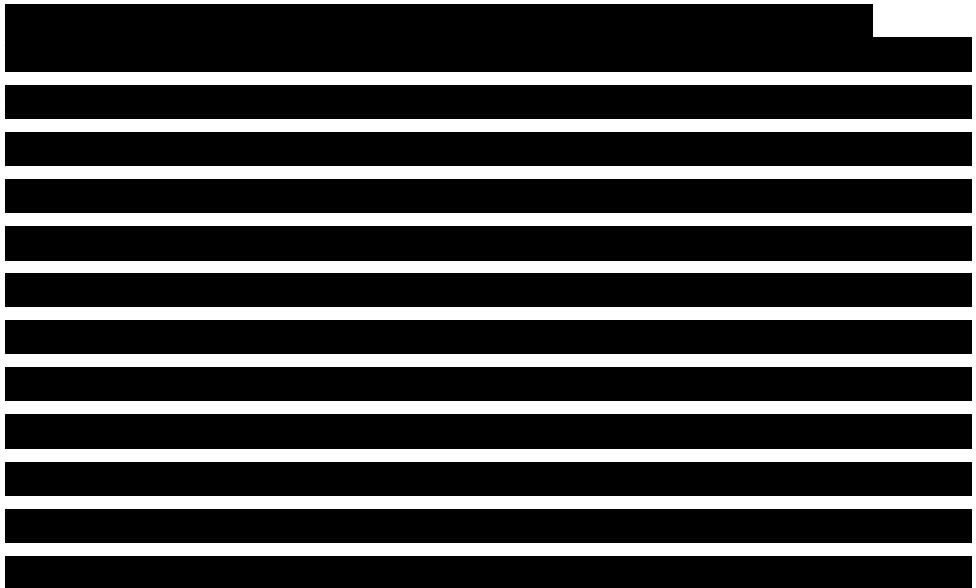
Οδηγίες φούρνου μικροκυμάτων



Μοντέλο: CMGA25TNDB

Διαβάστε προσεκτικά αυτές τις οδηγίες πριν από την εγκατάσταση
και τη λειτουργία του φούρνου.

ΠΕΡΙΕΧΟΜΕΝΑ



ΡΥΘΜΙΣΗ ΩΡΑΣ ΡΟΛΟΓΙΟΥ	12
ΜΑΓΕΙΡΕΜΑ ΕΞΠΡΕΣ	12
ΜΑΓΕΙΡΕΜΑ ΜΙΚΡΟΚΥΜΑΤΩΝ	12
ΧΡΟΝΟΣ ΑΠΟΦΥΞΗΣ	13
ΑΠΟΦΥΞΗ ΒΑΡΟΥΣ	13
ΓΚΡΙΛ	14
ΣΥΝΔΥΑΣΜΟΣ	14
ΑΥΤΟΜΑΤΟΣ ΚΑΘΑΡΙΣΜΟΣ.....	14
ΠΑΙΔΙΚΗ ΑΣΦΑΛΕΙΑ	14
ΑΥΤΟΜΑΤΟ ΜΑΓΕΙΡΕΜΑ.....	15



ΠΡΟΦΥΛΑΞΕΙΣ ΓΙΑ ΤΗΝ ΑΠΟΦΥΓΗ ΠΙΘΑΝΗΣ ΕΚΘΕΣΗΣ ΣΕ ΥΠΕΡΒΟΛΙΚΗ ΕΝΕΡΓΕΙΑ ΜΙΚΡΟΚΥΜΑΤΩΝ

1. Μην επιχειρήσετε να λειτουργήσετε αυτό το φούρνο με την πόρτα ανοιχτή, καθώς η λειτουργία με ανοικτή την πόρτα μπορεί να έχει ως αποτέλεσμα επιβλαβή έκθεση στην ενέργεια μικροκυμάτων. Είναι σημαντικό να μην καταστρέψετε ή να μην επεμβαίνετε στις κλειδαριές ασφαλείας.
2. Μην τοποθετείτε αντικείμενα μεταξύ της πρόσοψης του φούρνου και της πόρτας και μην αφήνετε να συσσωρευούνται βρωμιά ή υπολείμματα καθαριστικών στις επιφάνειες σφράγισης.
3. Μην χρησιμοποιείτε το φούρνο εάν έχει υποστεί ζημιά. Είναι πολύ σημαντικό η πόρτα του φούρνου να κλείνει σωστά και να μην υπάρχει ζημιά στην
 - a) Πόρτα (συμπεριλαμβανομένης οποιασδήποτε λυγισμένης πόρτας),
 - b) Μεντεσέδες και μάνδαλα (σπασμένα ή χαλαρά),
 - c) Τσιμούχες θυρών και επιφάνειες σφράγισης.
4. Ο φούρνος δεν πρέπει να ρυθμίζεται ή να επισκευάζεται από κανέναν εκτός από εξειδικευμένο προσωπικό τεχνικής εξυπηρέτησης.

ΣΗΜΑΝΤΙΚΕΣ ΟΔΗΓΙΕΣ ΑΣΦΑΛΕΙΑΣ

Κατά τη χρήση ηλεκτρικών συσκευών πρέπει να τηρούνται οι βασικές προφυλάξεις ασφαλείας, συμπεριλαμβανομένων των ακόλουθων:

ΠΡΟΕΙΔΟΠΟΙΗΣΗ!--Για να μειώσετε τον κίνδυνο εγκαυμάτων, ηλεκτροπληξίας, πυρκαγιάς, τραυματισμών ή έκθεσης σε υπερβολική ενέργεια μικροκυμάτων:

1. Διαβάστε όλες τις οδηγίες πριν χρησιμοποιήσετε τη συσκευή και φυλάξτε τις για μελλοντική αναφορά.
2. Χρησιμοποιήστε αυτή τη συσκευή μόνο για τη χρήση για την οποία προορίζεται, όπως περιγράφεται στο εγχειρίδιο. Μην χρησιμοποιείτε διαβρωτικές χημικές ουσίες ή ατμούς σε αυτή τη συσκευή. Αυτός ο τύπος φούρνου έχει σχεδιαστεί ειδικά για να θερμαίνει, να μαγειρεύει ή να στεγνώνει τρόφιμα. Δεν έχει σχεδιαστεί για βιομηχανική ή εργαστηριακή χρήση.
3. Μην λειτουργείτε το φούρνο όταν είναι άδειος.
4. Μην χρησιμοποιείτε τη συσκευή εάν έχει φθαρεί το καλώδιο ή το βύσμα, εάν δεν λειτουργεί σωστά ή εάν έχει υποστεί ζημιά ή έχει πέσει. Εάν έχει προκληθεί ζημιά στο καλώδιο τροφοδοσίας, πρέπει να αντικατασταθεί από τον κατασκευαστή ή από

- τον εξουσιοδοτημένο τεχνικό του ή άτομο με παρόμοια τεχνική κατάρτιση έτσι ώστε να αποφευχθεί οποιοσδήποτε κίνδυνος.
5. **ΠΡΟΕΙΔΟΠΟΙΗΣΗ!**--Να επιτρέπεται στα παιδιά να χρησιμοποιούν το φούρνο χωρίς επίβλεψη μόνο όταν έχουν δοθεί επαρκείς οδηγίες έτσι ώστε το παιδί να μπορεί να χρησιμοποιεί το φούρνο με ασφαλή τρόπο και να κατανοεί τους κινδύνους ακατάλληλης χρήσης.
 6. **ΠΡΟΕΙΔΟΠΟΙΗΣΗ!**--Όταν η συσκευή λειτουργεί σε λειτουργία συνδυασμού, τα παιδιά πρέπει να χρησιμοποιούν το φούρνο μόνο υπό την επίβλεψη ενηλίκου λόγω των θερμοκρασιών που παράγονται
 7. Για να μειωθεί ο κίνδυνος πυρκαγιάς μέσα στην κοιλότητα του φούρνου:
 - Όταν ζεσταίνετε τρόφιμα σε πλαστικό ή χάρτινο δοχείο, να παρακολουθείτε το φούρνο λόγω της πιθανότητας ανάφλεξης.
 - Αφαιρέστε τις συστροφές σύρματος από χάρτινες ή πλαστικές σακούλες πριν τοποθετήσετε τη σακούλα στο φούρνο.
 - Εάν παρατηρηθεί καπνός, απενεργοποιήστε ή αποσυνδέστε τη συσκευή και κρατήστε την πόρτα κλειστή για να καταπνίξετε τυχόν φλόγες.
 - Μη χρησιμοποιείτε τον θάλαμο για σκοπούς φύλαξης. Μην αφήνετε προϊόντα χαρτιού, μαγειρικά σκεύη ή τρόφιμα στην κοιλότητα όταν δεν χρησιμοποιούνται.
 - Ο φούρνος μικροκυμάτων προορίζεται για τη θέρμανση τροφίμων και ποτών. Το στέγνωμα των ρούχων και η θέρμανση των θερμαντικών επιθεμάτων, των παντελονιών, των σπόγγων, των νωπών υφασμάτων και παρόμοιων ειδών μπορεί να οδηγήσει σε κίνδυνο τραυματισμού, ανάφλεξης ή πυρκαγιάς.
 8. **ΠΡΟΕΙΔΟΠΟΙΗΣΗ!**--Τα υγρά ή άλλα τρόφιμα δεν πρέπει να θερμαίνονται σε σφραγισμένα δοχεία, καθώς υπάρχει κίνδυνος έκρηξης.
 9. Η θέρμανση του αναψυκτικού με μικροκύματα μπορεί να έχει ως αποτέλεσμα καθυστερημένο εκρηκτικό βρασμό, επομένως απαιτείται προσοχή κατά το χειρισμό του δοχείου.
 10. Μην τηγανίζετε φαγητό στο φούρνο. Το καυτό λάδι μπορεί να βλάψει τα μέρη του φούρνου και τα σκεύη, ακόμη και να προκαλέσει εγκαύματα στο δέρμα.
 11. Τα αυγά με το κέλυφός τους και τα ολόκληρα βρασμένα αυγά δεν πρέπει να θερμαίνονται σε φούρνους μικροκυμάτων, δεδομένου ότι ενδέχεται να εκραγούν ακόμη και μετά το τέλος της θέρμανσης με μικροκύματα.
 12. Τρυπήστε τρόφιμα με βαριά δέρματα όπως πατάτες, ολόκληρα κολοκύθια, μήλα και κάστανα πριν από το μαγείρεμα.
 13. Το περιεχόμενο των φιαλών σίτισης και των δοχείων για βρέφη θα πρέπει να ανακατεύεται ή να ανακινείται και η θερμοκρασία θα πρέπει να ελέγχεται πριν από το σερβίρισμα προκειμένου να αποφεύγονται εγκαύματα.
 14. Τα μαγειρικά σκεύη μπορεί να θερμανθούν λόγω της θερμότητας που μεταφέρεται από τα θερμαινόμενα τρόφιμα. Μπορεί να χρειαστούν ποτηροθήκες για το χειρισμό των σκευών.
 15. Τα εξαρτήματα θα πρέπει να ελέγχονται για να διασφαλίζεται ότι είναι κατάλληλα για χρήση σε φούρνο μικροκυμάτων.
 16. **ΠΡΟΕΙΔΟΠΟΙΗΣΗ!**--Είναι επικίνδυνο για οποιονδήποτε εκτός από ένα εκπαιδευμένο άτομο να εκτελεί οποιαδήποτε εργασία συντήρησης ή επισκευής που περιλαμβάνει την αφαίρεση οποιουδήποτε καλύμματος που παρέχει προστασία από την έκθεση σε ενέργεια μικροκυμάτων.
 17. Αυτός ο φούρνος μικροκυμάτων συμμορφώνεται με το πρότυπο EN 55011/CISPR 11, στο οποίο ανήκει στην κατηγορία Β της ομάδας 2. Εξοπλισμός ομάδας 2: η

ομάδα 2 περιέχει όλο τον εξοπλισμό ISM RF στον οποίο η ενέργεια ραδιοσυχνότητας στο εύρος συχνοτήτων 9 kHz έως 400 GHz παράγεται σκόπιμα και χρησιμοποιείται ή χρησιμοποιείται μόνο τοπικά, με τη μορφή ηλεκτρομαγνητικής ακτινοβολίας, επαγωγικής και/ή χωρητικής ζεύξης, για την επεξεργασία του υλικού, για σκοπούς επιθεώρησης/ανάλυσης, ή για μεταφορά ηλεκτρομαγνητικής ενέργειας. Ο εξοπλισμός της κατηγορίας Β είναι εξοπλισμός κατάλληλος για χρήση σε τοποθεσίες σε οικιστικά περιβάλλοντα και σε εγκαταστάσεις που συνδέονται άμεσα με δίκτυο τροφοδοσίας χαμηλής τάσης το οποίο τροφοδοτεί κτίρια που χρησιμοποιούνται για οικιακούς σκοπούς.

18. Αυτή η συσκευή δεν προορίζεται για χρήση από άτομα (συμπεριλαμβανομένων των παιδιών) με μειωμένες σωματικές, αισθητηριακές ή διανοητικές ικανότητες ή έλλειψη εμπειρίας και γνώσης, εκτός εάν τους έχουν δοθεί οδηγίες αναφορικά με τη χρήση της συσκευής από ένα άτομο που είναι υπεύθυνο για την ασφάλεια τους.
19. Τα παιδιά θα πρέπει να επιβλέπονται ώστε να διασφαλίζεται ότι δεν παίζουν με τη συσκευή.
20. Ο φούρνος μικροκυμάτων χρησιμοποιείται μόνο σε ανεξάρτητη θέση.
21. **ΠΡΟΕΙΔΟΠΟΙΗΣΗ!**--Μην τοποθετείτε φούρνο επάνω σε φούρνο μαγειρέματος ή άλλη συσκευή παραγωγής θερμότητας. Εάν τοποθετηθεί μπορεί να μπορεί να καταστραφεί και η εγγύηση δεν θα ισχύει.
22. Ο φούρνος μικροκυμάτων δεν πρέπει να τοποθετείται μέσα σε ένα ντουλάπι.
23. Η πόρτα ή η εξωτερική επιφάνεια μπορεί να θερμανθεί όταν η συσκευή λειτουργεί.
24. **ΠΡΟΕΙΔΟΠΟΙΗΣΗ!**--Τα προσβάσιμα εξαρτήματα ενδέχεται να θερμανθούν κατά τη χρήση. Τα μικρά παιδιά πρέπει να κρατούνται μακριά.
25. Κατά την διάρκεια της χρήσης οι συσκευές θερμαίνονται πολύ. Πρέπει να λαμβάνεται μέριμνα ώστε να αποφεύγεται η επαφή των θερμαντικών στοιχείων στο εσωτερικό του φούρνου, για το εύρος μαγειρέματος και τους φούρνους.
26. Η θερμοκρασία των προσβάσιμων επιφανειών μπορεί να είναι υψηλή όταν η συσκευή λειτουργεί.
27. Η συσκευή δεν πρέπει να χρησιμοποιείται από παιδιά ή άτομα με μειωμένες σωματικές, αισθητηριακές ή πνευματικές ικανότητες ή έλλειψη εμπειρίας και γνώσης, εκτός εάν τους έχει δοθεί επίβλεψη ή οδηγίες.
28. **ΠΡΟΕΙΔΟΠΟΙΗΣΗ!**--Σε περίπτωση βλάβης των τσιμουχών της πόρτας ή της πόρτας, ο φούρνος δεν πρέπει να λειτουργεί έως ότου επισκευαστεί από αρμόδιο άτομο.
29. Οι συσκευές δεν προορίζονται για λειτουργία μέσω εξωτερικού χρονοδιακόπτη ή ξεχωριστού συστήματος τηλεχειρισμού.
30. Ο φούρνος μικροκυμάτων προορίζεται μόνο για οικιακή χρήση και όχι για εμπορική χρήση.
31. Μην αφαιρείτε ποτέ τη διάταξη συγκράτησης απόστασης στο πίσω μέρος ή στα πλάγια, καθώς εξασφαλίζει μια ελάχιστη απόσταση από τον τοίχο για την κυκλοφορία του αέρα.
32. Ασφαλίστε την περιστρεφόμενη βάση πριν μετακινήσετε τη συσκευή για να αποφύγετε ζημιές.
33. **ΠΡΟΣΟΧΗ!**--Είναι επικίνδυνο να επισκευάσετε ή να συντηρήσετε τη συσκευή από κάποιον που δεν είναι ειδικός, διότι υπό αυτές τις συνθήκες πρέπει να αφαιρέσετε το κάλυμμα που εξασφαλίζει την προστασία από την ακτινοβολία μικροκυμάτων.

- Αυτό ισχύει και για την αλλαγή του καλωδίου τροφοδοσίας ή του φωτισμού. Στείλτε τη συσκευή σε αυτές τις περιπτώσεις στο κέντρο επισκευής μας.
34. Ο φούρνος μικροκυμάτων προορίζεται μόνο για την απόψυξη, το μαγείρεμα και τον ατμό των τροφίμων.
 35. Χρησιμοποιήστε γάντια αν αφαιρέσετε τυχόν τρόφιμα που έχουν θερμανθεί.
 36. Προσοχή! Ο ατμός θα διαφύγει, όταν ανοίγετε τα καπάκια ή το αλουμινοχαρτο περιτυλίγματος.
 37. Αυτή η συσκευή μπορεί να χρησιμοποιηθεί από παιδιά ηλικίας 8 ετών ή μεγαλύτερα και από άτομα με μειωμένες σωματικές, αισθητηριακές ή διανοητικές ικανότητες ή έλλειψη εμπειρίας και γνώσης εάν είναι υπό επίβλεψη ή τους έχουν δοθεί οδηγίες αναφορικά με τη χρήση της συσκευής με ασφαλή τρόπο και έχουν κατανοήσει τους κινδύνους που ενέχονται. Τα παιδιά δεν θα πρέπει να παίζουν με την συσκευή. Ο καθαρισμός και η συντήρηση από το χρήστη δεν πρέπει να γίνονται από παιδιά εκτός εάν είναι ηλικίας 8 ετών και άνω και επιβλέπονται.
 38. Εάν εκπέμπεται καπνός, απενεργοποιήστε ή αποσυνδέστε τη συσκευή και κρατήστε την πόρτα κλειστή για να καταπνίξετε τυχόν φλόγες.

ΟΔΗΓΟΣ ΕΓΚΑΤΑΣΤΑΣΗΣ

1. Βεβαιωθείτε ότι όλα τα υλικά συσκευασίας έχουν αφαιρεθεί από το εσωτερικό της πόρτας.
2. **ΠΡΟΕΙΔΟΠΟΙΗΣΗ!**--Ελέγξτε το φούρνο για τυχόν ζημιές, όπως εσφαλμένα ευθυγραμμισμένη ή λυγισμένη πόρτα, χαλασμένες τσιμούχες και επιφάνειες στεγανοποίησης, σπασμένους ή χαλαρούς μεντεσέδες και κλειδαριές πόρτας και βαθουλώματα μέσα στον θάλαμο ή στην πόρτα. Εάν υπάρχει οποιαδήποτε ζημιά, μην χρησιμοποιείτε το φούρνο και επικοινωνήστε με εξειδικευμένο προσωπικό τεχνικής εξυπηρέτησης.
3. Αυτός ο φούρνος μικροκυμάτων πρέπει να τοποθετείται σε επίπεδη, σταθερή επιφάνεια για να συγκρατεί το βάρος του και το βαρύτερο φαγητό που μπορεί να μαγειρευτεί στο φούρνο.
4. Μην τοποθετείτε το φούρνο όπου παράγεται θερμότητα, υγρασία ή υψηλή υγρασία ή κοντά σε εύφλεκτα υλικά.
5. Για τη σωστή λειτουργία, ο φούρνος πρέπει να έχει επαρκή ροή αέρα. Αφήστε τουλάχιστον 20 cm ελεύθερου χώρου πάνω από την άνω επιφάνεια του φούρνου και 5 cm και στις δύο πλευρές. Η οπίσθια πλάκα του φούρνου μικροκυμάτων πρέπει να τοποθετείται κοντά στον τοίχο. Μην καλύπτετε και μην μπλοκάρτε τυχόν ανοίγματα της συσκευής. Μην αφαιρείτε τα πόδια.
6. Μην λειτουργείτε το φούρνο χωρίς τον γυάλινο δίσκο, το στήριγμα κυλίνδρου, και τον άξονα στις σωστές θέσεις τους.
7. Βεβαιωθείτε ότι το καλώδιο τροφοδοσίας είναι άθικτο και δεν λειτουργεί κάτω από το φούρνο ή πάνω από οποιαδήποτε θερμή ή αιχμηρή επιφάνεια.
8. Η πρίζα πρέπει να είναι εύκολα προσβάσιμη ώστε να μπορεί εύκολα να αποσυνδεθεί σε περίπτωση έκτακτης ανάγκης.
9. Μην χρησιμοποιείτε το φούρνο σε εξωτερικούς χώρους.

ΟΔΗΓΙΕΣ ΓΕΙΩΣΗΣ

Αυτή η συσκευή πρέπει να γειωθεί. Αυτός ο φούρνος είναι εξοπλισμένος με καλώδιο που έχει καλώδιο γείωσης με βύσμα γείωσης. Πρέπει να είναι συνδεδεμένο σε πρίζα τοίχου που είναι σωστά τοποθετημένη και γειωμένη. Σε περίπτωση ηλεκτρικού βραχυκυκλώματος, η γείωση μειώνει τον κίνδυνο ηλεκτροπληξίας παρέχοντας ένα σύρμα διαφυγής για το ηλεκτρικό ρεύμα. Συνιστάται να παρέχεται ξεχωριστό κύκλωμα που να εξυπηρετεί μόνο το φούρνο. Η χρήση υψηλής τάσης είναι επικίνδυνη και μπορεί να οδηγήσει σε πυρκαγιά ή άλλο ατύχημα που θα προκαλέσει ζημιά στο φούρνο. **ΠΡΟΕΙΔΟΠΟΙΗΣΗ!**--Η ακατάλληλη χρήση του βύσματος γείωσης μπορεί να οδηγήσει σε κίνδυνο ηλεκτροπληξίας. Σημείωση:

1. Εάν έχετε απορίες σχετικά με τις οδηγίες γείωσης ή τις ηλεκτρικές οδηγίες, συμβουλευτείτε εξειδικευμένο ηλεκτρολόγο ή τεχνικό από την τεχνική εξυπηρέτηση.
2. Ούτε ο κατασκευαστής ούτε ο αντιπρόσωπος μπορούν να αποδεχθούν οποιαδήποτε ευθύνη για ζημιά στο φούρνο ή τραυματισμό που προκύπτει από τη μη τήρηση των διαδικασιών ηλεκτρικής σύνδεσης.

Τα καλώδια σε αυτό το καλώδιο έχουν χρωματιστεί σύμφωνα με τον ακόλουθο κώδικα:

Πράσινο και κίτρινο = ΓΕΙΩΣΗ

Μπλε = ΟΥΔΕΤΕΡΟΣ

Καφέ = ΦΑΣΗ

ΡΑΔΙΟΗΛΕΚΤΡΙΚΕΣ ΠΑΡΕΜΒΟΛΕΣ

Η λειτουργία του φούρνου μικροκυμάτων μπορεί να προκαλέσει παρεμβολές στο ραδιόφωνο, την τηλεόραση ή παρόμοιο εξοπλισμό. Όταν υπάρχει παρεμβολή, μπορεί να μειωθεί ή να εξαλειφθεί με τη λήψη των ακόλουθων μέτρων:

1. Καθαρίστε την πόρτα και την επιφάνεια σφράγισης του φούρνου.
2. Επαναπροσανατολίστε την κεραία λήψης του ραδιοφώνου ή της τηλεόρασης.
3. Μετακινήστε το φούρνο μικροκυμάτων σε σχέση με το δέκτη.
4. Μετακινήστε το φούρνο μικροκυμάτων μακριά από το δέκτη.
5. Συνδέστε το φούρνο μικροκυμάτων σε διαφορετική πρίζα έτσι ώστε ο φούρνος μικροκυμάτων και ο δέκτης να βρίσκονται σε διαφορετικά κυκλώματα διακλάδωσης.

ΠΡΙΝ ΚΑΛΕΣΕΤΕ ΤΗΝ ΥΠΗΡΕΣΙΑ

Πριν ζητήσετε τεχνική υποστήριξη, ελέγξτε κάθε στοιχείο παρακάτω:

- Ελέγξτε για να βεβαιωθείτε ότι ο φούρνος είναι συνδεδεμένος με ασφάλεια. Εάν όχι, αφαιρέστε το βύσμα από την πρίζα, περιμένετε 10 δευτερόλεπτα και συνδέστε το ξανά με ασφάλεια.
- Ελέγξτε για καμένη ασφάλεια κυκλώματος ή ενεργοποιημένο κεντρικό ασφαλειοδιακόπτη. Αν αυτά φαίνονται να λειτουργούν σωστά, δοκιμάστε την πρίζα με άλλη συσκευή.
- Ελέγξτε για να βεβαιωθείτε ότι ο πίνακας ελέγχου έχει προγραμματιστεί σωστά και ότι ο χρονοδιακόπτης έχει ρυθμιστεί.
- Ελέγξτε για να βεβαιωθείτε ότι η πόρτα είναι καλά κλειστή, ενεργοποιώντας το σύστημα κλειδώματος της πόρτας. Αν η πόρτα δεν κλείσει σωστά, η ενέργεια μικροκυμάτων δεν θα ρέει μέσα.

ΕΑΝ ΚΑΝΕΝΑ ΑΠΟ ΤΑ ΠΑΡΑΠΑΝΩ ΔΕΝ ΔΙΟΡΘΩΝΕΙ ΤΗΝ ΚΑΤΑΣΤΑΣΗ, ΕΠΙΚΟΙΝΩΝΗΣΤΕ ΜΕ ΕΝΑΝ ΕΞΕΙΔΙΚΕΥΜΕΝΟ ΤΕΧΝΙΚΟ. ΜΗΝ ΠΡΟΣΠΑΘΗΣΕΤΕ ΝΑ ΡΥΘΜΙΣΕΤΕ Ή ΝΑ ΕΠΙΣΚΕΥΑΣΕΤΕ ΤΟ ΦΟΥΡΝΟ ΜΟΝΟΙ ΣΑΣ.

ΤΕΧΝΙΚΕΣ ΜΑΓΕΙΡΕΜΑΤΟΣ

1. Τακτοποιήστε το φαγητό προσεκτικά. Τοποθετήστε τις πιο πυκνές περιοχές προς τα έξω από το πιάτο.
2. Παρακολουθήστε το χρόνο μαγειρέματος. Μαγειρέψτε για το συντομότερο χρονικό διάστημα που υποδεικνύεται και προσθέστε περισσότερο, όπως απαιτείται. Τα πάρα πολύ ψημένα τρόφιμα μπορούν να καπνίσουν ή να αναφλεγούν.
3. Καλύψτε τα τρόφιμα ενώ μαγειρεύετε. Τα καλύμματα αποτρέπουν το πιτσίλισμα και βοηθούν τα τρόφιμα να μαγειρεύουν ομοιόμορφα.
4. Αναποδογυρίστε τα τρόφιμα μία φορά κατά τη διάρκεια του μαγειρέματος στο φούρνο μικροκυμάτων για να επιταχύνετε το μαγείρεμα τροφίμων όπως κοτόπουλο και χάμπουργκερ. Μεγάλα αντικείμενα όπως τα ψητά πρέπει να αναποδογυρίζονται τουλάχιστον μία φορά.
5. Αναδιατάξτε τα τρόφιμα όπως κεφτέδες στα μισά του μαγειρέματος τόσο από πάνω προς τα κάτω όσο και από το κέντρο του πιάτου προς τα έξω.

ΟΔΗΓΟΣ ΜΑΓΕΙΡΙΚΩΝ ΣΚΕΥΩΝ

1. Ο φούρνος μικροκυμάτων δεν μπορεί να διαπεράσει το μέταλλο. Χρησιμοποιείτε μόνο σκεύη κατάλληλα για χρήση σε φούρνους μικροκυμάτων. Τα μεταλλικά δοχεία για τρόφιμα και ποτά δεν επιτρέπονται κατά τη διάρκεια του μαγειρέματος στο φούρνο μικροκυμάτων. Η απαίτηση αυτή δεν ισχύει εάν ο κατασκευαστής καθορίζει το μέγεθος και το σχήμα των μεταλλικών δοχείων που είναι κατάλληλα για μαγείρεμα σε φούρνο μικροκυμάτων.
2. Ο φούρνος μικροκυμάτων δεν μπορεί να δεισδύσει στο μέταλλο, επομένως δεν πρέπει να χρησιμοποιούνται μεταλλικά σκεύη ή πιάτα με μεταλλικό φινίρισμα.
3. Μην χρησιμοποιείτε ανακυκλωμένα προϊόντα χαρτιού κατά το μαγείρεμα σε φούρνο μικροκυμάτων, καθώς μπορεί να περιέχουν μικρά μεταλλικά θραύσματα που μπορεί να προκαλέσουν σπινθήρες και/ή πυρκαγιές.
4. Συνιστώνται στρογγυλά/οβάλ πιάτα αντί για τετράγωνα/επιμήκη, καθώς το φαγητό στις γωνίες τείνει να παραψήνεται.
5. Στενές ταινίες από φύλλο αλουμινίου μπορούν να χρησιμοποιηθούν για την πρόληψη του υπερβολικού βρασμού των εκτεθειμένων περιοχών. Αλλά προσέξτε να μην χρησιμοποιήσετε πάρα πολύ και κρατήστε απόσταση 2,54 cm (1 ίντσα) μεταξύ του φύλλου αλουμινίου και του θαλάμου.

Η παρακάτω λίστα είναι ένας γενικός οδηγός που θα σας βοηθήσει να επιλέξετε τα σωστά σκεύη.

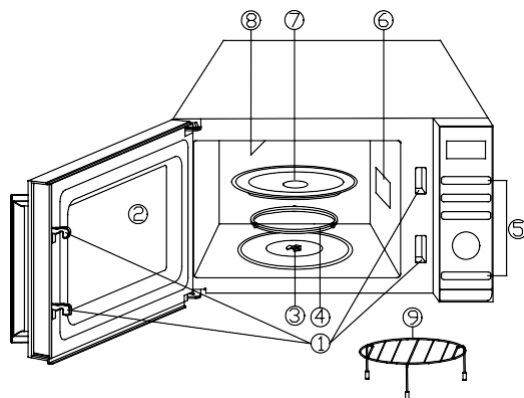
ΣΚΕΥΗ ΜΑΓΕΙΡΕΜΑΤΟΣ	MICROWAVE	ΓΚΡΙΛ	ΣΥΝΔΥΑΣΜΟΣ
Θερμοανθεκτικό γυαλί	Ναι	Ναι	Ναι
Γυαλί μη ανθεκτικό στη θερμότητα	Όχι	Όχι	Όχι
Θερμοανθεκτικά κεραμικά	Ναι	Ναι	Ναι
Πλαστικό πιάτο ασφαλές για μικροκύματα	Ναι	Όχι	Όχι
Χαρτί κουζίνας	Ναι	Όχι	Όχι
Μεταλλικός δίσκος	Όχι	Ναι	Όχι
Μεταλλική σχάρα	Όχι	Ναι	Όχι
Δοχεία από αλουμίνιο και αλουμινόχαρτο	Όχι	Ναι	Όχι

ΤΕΧΝΙΚΑ ΧΑΡΑΚΤΗΡΙΣΤΙΚΑ

Κατανάλωση ισχύος:	230-240 V/50 Hz, 1400 W (μικροκυμάτων)
	1000 W (Ψησταριά)
Ονομαστική ισχύς εξόδου μικροκυμάτων:	900 W
Συχνότητα λειτουργίας:	2450 MHz
Εξωτερικές διαστάσεις:	281 mm (Υ) × 483 mm (Π) × 420 mm (Β)
Διαστάσεις θαλάμου φούρνου:	220 mm(Υ)×340 mm(Π)×344 mm(Β)
Χωρητικότητα φούρνου:	25 λίτρα
Καθαρό βάρος:	Περίπου 14,1 kg

ΔΙΑΓΡΑΜΜΑ ΠΡΟΪΟΝΤΟΣ

1. Σύστημα κλειδώματος πόρτας
2. Παράθυρο φούρνου
3. Άξονας
4. Κύλινδρος κύλισης
5. Πίνακας ελέγχου
6. Οδηγός κυμάτων (Μην αφαιρέσετε την πλάκα μαρμαρυγίας που καλύπτει τον κυματοδηγό)
7. Γυάλινος δίσκος
8. Θερμαντήρας σχάρας
9. Μεταλλική σχάρα



ΠΙΝΑΚΑΣ ΕΛΕΓΧΟΥ



● ΟΘΟΝΗ ΔΡΑΣΗΣ ΜΕΝΟΥ

Εμφανίζονται οι ενδείξεις χρόνου μαγειρέματος, ισχύος, δράσης.

● POWER

Πατήστε για να ρυθμίσετε το επίπεδο ισχύος μαγειρικής μικροκυμάτων.

● ΡΥΘΜΙΣΗ ΒΑΡΟΥΣ

Πιέστε για να ρυθμίσετε το βάρος του φαγητού ή τις μερίδες.

● GRILL

Πατήστε για να ρυθμίσετε το πρόγραμμα ψησίματος στη σχάρα.

● ΣΥΝΔΥΑΣΜΟΣ

Πιέστε για να ορίσετε το πρόγραμμα συνδυασμού.

● ΑΥΤΟΜΑΤΗ ΑΠΟΨΥΞΗ

Πατήστε μία φορά για να ξεπαγώσετε τα τρόφιμα βάσει του χρόνου. Πατήστε δύο φορές για να ξεπαγώσετε τα τρόφιμα με βάση το βάρος.

● ΡΟΛΟΙ

Πιέστε για να ρυθμίσετε την ώρα.

● MENU/TIME (επιλογέας)

Γυρίστε τον επιλογέα για να ρυθμίσετε την ώρα.

Περιστρέψτε τον επιλογέα για να επιλέξετε το μενού αυτόματου μαγειρέματος.

● ΠΑΥΣΗ/ΑΚΥΡΩΣΗ Cancel


Πατήστε μία φορά για να διακόψετε προσωρινά το μαγείρεμα ή δύο φορές για να ακυρώσετε εντελώς το μαγείρεμα.

● START/QUICK START

Πιέστε για να ξεκινήσετε τα προγράμματα μαγειρέματος και απόψυξης.

Απλά πατήστε το αρκετές φορές για να ρυθμίσετε το χρόνο μαγειρέματος και να μαγειρέψετε αμέσως σε επίπεδο πλήρους ισχύος.

ΟΔΗΓΙΕΣ ΧΡΗΣΗΣ

- Όταν ο φούρνος συνδεθεί για πρώτη φορά στην πρίζα, θα ακουστεί ένα ηχητικό σήμα και στην οθόνη θα εμφανιστεί η ένδειξη "1:01", .
- Κατά τη διαδικασία ρύθμισης, ο φούρνος διακόπτεται για περίπου 25 δευτερόλεπτα και επανέρχεται σε κατάσταση αναμονής.
- Κατά τη διάρκεια του μαγειρέματος, αν πατήσετε μία φορά το κουμπί PAUSE/CANCEL, το πρόγραμμα θα διακοπεί, και στη συνέχεια πατήστε το κουμπί START/QUICK START για να συνεχίσετε. Αλλά αν πατήσετε το κουμπί PAUSE/CANCEL δύο φορές, το πρόγραμμα θα ακυρωθεί.
- Μετά το τέλος του μαγειρέματος, στην οθόνη θα εμφανιστεί η ένδειξη End και θα ακούγεται ένας ήχος κάθε δύο λεπτά μέχρι ο χρήστης να πατήσει το κουμπί PAUSE/CANCEL ή να ανοίξει την πόρτα.
- Κατά τη διαδικασία λειτουργίας, πατήστε ένα έγκυρο κουμπί, ο βομβητής χτυπάει μία φορά, αλλά αν πατήσετε ένα άκυρο κουμπί, ο βομβητής χτυπάει δύο φορές.

ΡΥΘΜΙΣΗ ΩΡΑΣ ΡΟΛΟΓΙΟΥ

Πρόκειται για ένα ρολόι 12 και 24 ωρών, μπορείτε να επιλέξετε να ρυθμίσετε την ώρα του ρολογιού σε κύκλο 12 ή 24 ωρών πατώντας το κουμπί CLOCK στη λειτουργία αναμονής.

1. Στη λειτουργία αναμονής, πατήστε επανειλημμένα το κουμπί CLOCK για να επιλέξετε 12ωρο ή 24ωρο ρολόι.
2. Περιστρέψτε τον επιλογέα MENU/TIME για να ρυθμίσετε το ψηφίο της ώρας.
3. Πατήστε το κουμπί CLOCK μία φορά.
4. Περιστρέψτε τον επιλογέα MENU/TIME για να ρυθμίσετε το ψηφίο του λεπτού.
5. Πατήστε το κουμπί CLOCK μία φορά για επιβεβαίωση.

ΣΗΜΕΙΩΣΗ: Κατά τη διάρκεια του μαγειρέματος, μπορείτε να ελέγξετε την τρέχουσα ώρα του ρολογιού πατώντας το κουμπί CLOCK.

ΜΑΓΕΙΡΕΜΑ ΕΞΠΡΕΣ

Χρησιμοποιήστε αυτή τη λειτουργία για να προγραμματίσετε το φούρνο να βάζει τα τρόφιμα σε φούρνο μικροκυμάτων με 100% ισχύ βολικά. Στη λειτουργία αναμονής, απλώς πατήστε επανειλημμένα το κουμπί START/QUICK START για να ρυθμίσετε το χρόνο μαγειρέματος (κάθε πάτημα αυξάνει κατά 30 δευτερόλεπτα και μέχρι 10 λεπτά), ο φούρνος αρχίζει να λειτουργεί αυτόματα με πλήρη ισχύ.

ΜΑΓΕΙΡΕΜΑ ΜΙΚΡΟΚΥΜΑΤΩΝ

1. Στη λειτουργία αναμονής, πατήστε επανειλημμένα το κουμπί POWER για να επιλέξετε το επίπεδο ισχύος.
2. Γυρίστε τον επιλογέα MENU/TIME δεξιόστροφα για να ρυθμίσετε το χρόνο μαγειρέματος. Ο μεγαλύτερος χρόνος είναι 95 λεπτά.

3. Πιέστε το κουμπί START/QUICK START για επιβεβαίωση.

Πατήστε το κουμπί POWER για να επιλέξετε το επίπεδο ισχύος:

Πατήστε το κουμπί POWER	Ισχύς (Οθόνη)	Πατήστε το κουμπί POWER	Ισχύς (Οθόνη)
Μία φορά	100% (100)	7 φορές	40% (40)
Δύο φορές	90% (90)	8 φορές	30% (30)
3 φορές	80% (80)	9 φορές	20% (20)
4 φορές	70% (70)	10 φορές	10% (10)
5 φορές	60% (60)	11 φορές	0% (00)
6 φορές	50% (50)		

ΣΗΜΕΙΩΣΗ: Κατά τη διάρκεια του μαγειρέματος, μπορείτε να ελέγξετε το επίπεδο ισχύος μαγειρέματος πατώντας το κουμπί POWER.

ΧΡΟΝΟΣ ΑΠΟΨΥΞΗΣ

1. Στη λειτουργία αναμονής, πατήστε το κουμπί AUTO DEFROST μία φορά.
2. Περιστρέψτε τον επιλογέα MENU/TIME για να ρυθμίσετε το χρόνο απόψυξης. Ο μεγαλύτερος χρόνος είναι 95 λεπτά.
3. Πιέστε το κουμπί START/QUICK START για επιβεβαίωση.

ΣΗΜΕΙΩΣΗ: Κατά τη διάρκεια του προγράμματος απόψυξης, το σύστημα θα σταματήσει και θα ηχήσει για να υπενθυμίσει στο χρήστη να γυρίσει το φαγητό ανάποδα, και στη συνέχεια να πατήσει το κουμπί START/QUICK START για να συνεχίσει.

ΑΠΟΨΥΞΗ ΒΑΡΟΥΣ

Ο χρόνος απόψυξης και το επίπεδο ισχύος ρυθμίζονται αυτόματα μόλις προγραμματιστεί το βάρος των τροφίμων. Το βάρος των κατεψυγμένων τροφίμων κυμαίνεται από 100 g έως 1800 g.

1. Στη λειτουργία αναμονής, πατήστε το κουμπί AUTO DEFROST δύο φορές.
2. Πατήστε επανειλημμένα το κουμπί WEIGHT ADJUST για να επιλέξετε το βάρος του φαγητού.
3. Πιέστε το κουμπί START/QUICK START για επιβεβαίωση.

ΣΗΜΕΙΩΣΗ: Κατά τη διάρκεια της απόψυξης, το σύστημα θα κάνει παύση και θα ηχήσει για να υπενθυμίσει στο χρήστη να γυρίσει το φαγητό και, στη συνέχεια, πατήστε το κουμπί START/QUICK START για να συνεχίσετε.

ΓΚΡΙΑ

Το ψήσιμο στη σχάρα είναι ιδιαίτερα χρήσιμο για λεπτές φέτες κρέατος, μπριζόλες, παϊδάκια, κεμπάπ, λουκάνικα και κομμάτια κοτόπουλου. Είναι επίσης κατάλληλο για ζεστά σάντουιτς και πιάτα ογκρατέν.

1. Στη λειτουργία αναμονής, πατήστε το κουμπί GRILL μία φορά.
2. Περιστρέψτε τον επιλογή MENU/TIME για να ρυθμίσετε το χρόνο μαγειρέματος. Ο μεγαλύτερος χρόνος είναι 95 λεπτά.
3. Πιέστε το κουμπί START/QUICK START για επιβεβαίωση.

ΣΥΝΔΥΑΣΜΟΣ

Το γκριλ λειτουργεί περισσότερο χρόνο από το φούρνο μικροκυμάτων σε συνδυασμό 1 λειτουργία μαγειρέματος, χρήση για ψάρι και ογκρατέν. Αλλά ο φούρνος μικροκυμάτων λειτουργεί περισσότερο χρόνο από το ψήσιμο στη σχάρα σε συνδυασμό με 2 τρόπους μαγειρέματος, τη χρήση για πουτίγκα, ομελέτες, ψητές πατάτες και πουλερικά.

1. Στη λειτουργία αναμονής, πατήστε το κουμπί COMBINATION μία ή δύο φορές για να επιλέξετε "Co-1" ή "Co-2".
2. Περιστρέψτε τον επιλογή MENU/TIME για να ρυθμίσετε το χρόνο μαγειρέματος. Ο μεγαλύτερος χρόνος είναι 95 λεπτά.
3. Πιέστε το κουμπί START/QUICK START για επιβεβαίωση.

ΑΥΤΟΜΑΤΟΣ ΚΑΘΑΡΙΣΜΟΣ

Βάζουμε στον φούρνο ένα μπολ με 300 γρ. νερό και κλείνουμε την πόρτα.

1. Στη λειτουργία αναμονής, γυρίστε αριστερόστροφα τον επιλογή ΜΕΝΟΥ/ΩΡΑΣ και, στη συνέχεια, γυρίστε τον επιλογή μέχρι η οθόνη να εμφανίσει "CLE" και "AUTO".
2. Πατήστε το κουμπί ΡΥΘΜΙΣΗΣ ΒΑΡΟΥΣ μία φορά.
3. Πατήστε το κουμπί START/QUICK START για να ξεκινήσετε.

ΣΗΜΕΙΩΣΗ: Ο χρόνος καθαρισμού είναι 10 λεπτά.

ΠΑΙΔΙΚΗ ΑΣΦΑΛΕΙΑ

Χρησιμοποιήστε το για να αποτρέψετε τη μη επιτηρούμενη λειτουργία του φούρνου από παιδιά.

Για να μπείτε σε κλειδαριά ασφαλείας για παιδιά: Στη λειτουργία αναμονής, εάν δεν υπάρξει καμία λειτουργία εντός ενός λεπτού, ο φούρνος θα εισέλθει αυτόματα στη λειτουργία κλειδώματος για παιδιά και η ενδεικτική λυχνία κλειδώματος θα ανάψει. Στην κατάσταση κλειδώματος, όλα τα κουμπιά είναι απενεργοποιημένα.

Για να ακυρώσετε: Στη λειτουργία κλειδώματος για παιδιά, ανοίξτε ή κλείστε την πόρτα του φούρνου για να ακυρώσετε το πρόγραμμα και η ενδεικτική λυχνία κλειδώματος θα σβήσει.

ΑΥΤΟΜΑΤΟ ΜΑΓΕΙΡΕΜΑ

Για το επόμενο φαγητό ή τη λειτουργία μαγειρέματος, δεν είναι απαραίτητο να προγραμματίσετε τον χρόνο και την ισχύ μαγειρέματος. Αρκεί να αναφέρετε το είδος του φαγητού που θέλετε να μαγειρέψετε καθώς και το βάρος ή τις μερίδες του φαγητού.

1. Στη λειτουργία αναμονής, γυρίστε τον επιλογέα MENU/TIME αριστερόστροφα για να επιλέξετε κωδικό φαγητού.
2. Πατήστε επανειλημμένα το κουμπί WEIGHT ADJUST για να επιλέξετε το βάρος του φαγητού ή τις μερίδες.
3. Πιέστε το κουμπί START/QUICK START για επιβεβαίωση.

Μενού αυτόματου μαγειρέματος:

Κωδικός	Τρόφιμο	Βάρος/ ποσότητα	Σημείωση
A-01	Γάλα/καφές/τσάι (200 ml/φλιτζάνι)	1 φλ.	Στην οθόνη θα εμφανιστεί ο αριθμός των μερίδων αντί για το βάρος του φαγητού
		2 φλιτζάνια	
		3 φλιτζάνια	
A-02	Σπαγγέτι	100 g	
		200 g	
		300 g	
A-03	Πατάτα	100 g	
		200 g	
		300 g	
A-04	Αυτόματη αναθέρμανση	200 g	
		300 g	
		400 g	
		500 g	
		600 g	
		700 g	
		800 g	
A-05	Ψάρι	200 g	
		300 g	
		400 g	
		500 g	
		600 g	
A-06	Ποπκορν	100 g	
A-07	Κοτόπουλο	800 g	Κατά τη διάρκεια του μαγειρέματος ο
		900 g	

Κωδικός	Τρόφιμο	Βάρος/ ποσότητα	Σημείωση
		1000 g	φούρνος θα σταματήσει για να υπενθυμίσει στο χρήστη να γυρίσει το φαγητό, και μετά θα πατήσει το κουμπί START/QUICK START για να συνεχίσει
		1100 g	
		1200 g	
A-08	Μοσχάρι/Αρνί	200 g	
		300 g	
		400 g	
		500 g	
		600 g	
A-09	Κρέας σούβλας	100 g	Κατά τη διάρκεια του μαγειρέματος ο φούρνος θα σταματήσει για να υπενθυμίσει στο χρήστη να γυρίσει το φαγητό, και μετά θα πατήσει το κουμπί START/QUICK START για να συνεχίσει
		200 g	
		300 g	
		400 g	
		500 g	
A10	Σούπα	200 g	
		400 g	
		600 g	
A11	πόρριτζ	50 g	
		100 g	
		150 g	
A-12	νωπά λαχανικά	200 g	
		300 g	
		400 g	
		500 g	
		600 g	
A-13	Κατεψυγμένα λαχανικά	200 g	
		300 g	
		400 g	

Κωδικός	Τρόφιμο	Βάρος/ ποσότητα	Σημείωση
		500 g	
		600 g	
A-14	Ρύζι	150 g	
		300 g	
		450 g	
		600 g	
A-15	Πίτσα	150 g	
		300 g	
		450 g	
A-16	Ψάρια στη σχάρα	200 g	Κατά τη διάρκεια του μαγειρέματος ο φούρνος θα σταματήσει για να υπενθυμίσει στο χρήστη να γυρίσει το φαγητό, και μετά θα πατήσει το κουμπί START/QUICK START για να συνεχίσει
		300 g	
		400 g	
		500 g	
		600 g	
A-17	Ψητό μπέικον	100 g	
		200 g	
		300 g	
A-18	Αλλαντικά	100 g	Κατά τη διάρκεια του μαγειρέματος ο φούρνος θα σταματήσει για να υπενθυμίσει στο χρήστη να γυρίσει το φαγητό, και μετά θα πατήσει το κουμπί START/QUICK START για να συνεχίσει
		200 g	
		300 g	
		400 g	
		500 g	
A19	Αυτόματος καθαρισμός/(η απόδοση θα είναι η σταγόνα νερού που γεμίζει το εσωτερικό της κοιλότητας)		

Το αποτέλεσμα του αυτόματου μαγειρέματος εξαρτάται από παράγοντες όπως το σχήμα και το μέγεθος του φαγητού, η προσωπική σας προτίμηση ως προς τη

λειτουργικότητα ορισμένων τροφίμων και ακόμη και το πόσο καλά τυχαίνει να τοποθετείτε το φαγητό στο φούρνο. Αν το αποτέλεσμα δεν σας ικανοποιεί καθόλου, ρυθμίστε λίγο το χρόνο μαγειρέματος ανάλογα.

ΚΑΘΑΡΙΣΜΟΣ ΚΑΙ ΦΡΟΝΤΙΔΑ

1. Κλείστε το φούρνο και αποσυνδέστε το καλώδιο τροφοδοσίας από τον τοίχο κατά τον καθαρισμό.
2. Διατηρείτε το εσωτερικό του φούρνου καθαρό. Όταν οι πιτσιλιές τροφίμων ή τα υγρά που έχουν χυθεί προσκολλώνται στα τοιχώματα του φούρνου, σκουπίστε με ένα υγρό πανί. Εάν ο φούρνος λερωθεί πολύ, μπορούν να χρησιμοποιηθούν ήπια απορρυπαντικά. Αποφύγετε τη χρήση σπρέι ή άλλων σκληρών καθαριστικών. Ενδέχεται να λεκιάσουν, να σκιάσουν ή να θαμπώσουν την επιφάνεια της πόρτας.
3. Το εξωτερικό του φούρνου πρέπει να καθαρίζεται με υγρό πανί. Για να αποφύγετε την πρόκληση ζημιάς στα μέρη του φούρνου, δεν πρέπει να επιτρέψετε τη διαρροή νερού στα ανοίγματα εξαερισμού.
4. Σκουπίστε συχνά την πόρτα και το παράθυρο και στις δύο πλευρές, τις σφραγίσεις της πόρτας και τα παρακείμενα μέρη με ένα υγρό πανί για να αφαιρέσετε τυχόν κηλίδες ή πιτσιλιές. Μη χρησιμοποιείτε λειαντικό καθαριστικό.
5. Δεν πρέπει να χρησιμοποιείται ατμοκαθαριστής.
6. Μην αφήνετε τον πίνακα ελέγχου να βραχεί. Καθαρίστε με ένα μαλακό, υγρό πανί. Κατά τον καθαρισμό του πίνακα ελέγχου, αφήστε την πόρτα του φούρνου ανοιχτή για να αποφύγετε την ακούσια ενεργοποίηση του φούρνου.
7. Εάν συσσωρευτεί ατμός μέσα ή γύρω από το εξωτερικό της πόρτας του φούρνου, σκουπίστε με ένα μαλακό πανί. Αυτό μπορεί να συμβεί όταν ο φούρνος μικροκυμάτων λειτουργεί σε συνθήκες υψηλής υγρασίας. Και είναι φυσιολογικό.
8. Περιστασιακά είναι απαραίτητο να αφαιρέσετε το γυάλινο δίσκο για καθαρισμό. Πλύνετε το δίσκο με ζεστό σαπουνόνερο ή σε πλυντήριο πιάτων.
9. Ο δακτύλιος του κυλίνδρου και το δάπεδο του φούρνου πρέπει να καθαρίζονται τακτικά για να αποφεύγεται ο υπερβολικός θόρυβος. Σκουπίστε απλώς την κάτω επιφάνεια του φούρνου με ήπιο απορρυπαντικό. Ο δακτύλιος του κυλίνδρου μπορεί να πλυθεί με ήπιο σαπουνόνερο ή σε πλυντήριο πιάτων. Κατά την αφαίρεση του κυλινδρικού δακτυλίου, βεβαιωθείτε ότι τον έχετε τοποθετήσει ξανά στη σωστή θέση.
10. Αφαιρέστε τις οσμές από το φούρνο σας συνδυάζοντας ένα φλιτζάνι νερό με το χυμό και το δέρμα ενός λεμονιού σε ένα δοχείο μικροκυμάτων. Φούρνος μικροκυμάτων για 5 λεπτά. Σκουπίστε καλά και στεγνώστε με ένα μαλακό πανί.
11. Εάν ο λαμπτήρας καεί, επικοινωνήστε με την εξυπηρέτηση πελατών για να τον αντικαταστήσετε.
12. Ο φούρνος πρέπει να καθαρίζεται τακτικά και να αφαιρούνται τυχόν υπολείμματα τροφής. Η μη διατήρηση του φούρνου σε καθαρή κατάσταση θα μπορούσε να οδηγήσει σε φθορά της επιφάνειας που θα μπορούσε να επηρεάσει δυσμενώς τη διάρκεια ζωής της μονάδας και θα μπορούσε ενδεχομένως να οδηγήσει σε επικίνδυνη κατάσταση.
13. Παρακαλούμε μην απορρίπτετε αυτή τη συσκευή στον οικιακό κάδο απορριμμάτων. Πρέπει να απορρίπτεται στο συγκεκριμένο κέντρο απορριμμάτων που παρέχεται από τους δήμους.

14. Όταν χρησιμοποιείται για πρώτη φορά ο φούρνος μικροκυμάτων με λειτουργία ψησίματος, ενδέχεται να παράγει ελαφρύ καπνό και οσμή. Αυτό είναι ένα φυσιολογικό φαινόμενο, επειδή ο φούρνος είναι κατασκευασμένος από μια χαλύβδινη πλάκα επικαλυμμένη με λιπαντικό έλαιο, και ο νέος φούρνος θα παράγει καπνούς και οσμές που δημιουργούνται από την καύση του λιπαντικού ελαίου. Το φαινόμενο αυτό θα εξαφανιστεί μετά από μια περίοδο χρήσης.



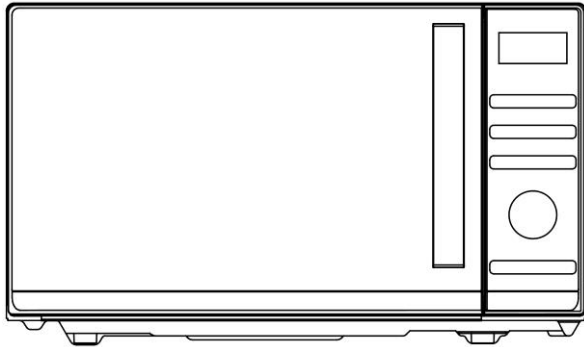
Η συσκευή αυτή επισημαίνεται σύμφωνα με την Ευρωπαϊκή Οδηγία 2012/19/ΕΕ σχετικά με τα Απόβλητα Ηλεκτρικού και Ηλεκτρονικού Εξοπλισμού του 2013 όσον αφορά τις ηλεκτρικές και ηλεκτρονικές συσκευές (ΑΗΗΕ). Τα ΑΗΗΕ περιλαμβάνουν τόσο ρυπογόνες ουσίες οι οποίες περιλαμβάνουν τόσο ρυπογόνες ουσίες (οι οποίες μπορούν να έχουν αρνητικές επιπτώσεις στο περιβάλλον) όσο και βασικά εξαρτήματα (τα οποία μπορούν να χρησιμοποιηθούν και πάλι). Είναι σημαντικό τα ΑΗΗΕ να υποβάλλονται σε συγκεκριμένες

επεξεργασίες έτσι ώστε να αφαιρούνται και να απορρίπτονται όλα τα ρυπογόνα στοιχεία και να ανακτώνται όλα τα υλικά. Τα άτομα μπορούν να διαδραματίσουν σημαντικό ρόλο στην εξασφάλιση ότι τα ΑΗΗΕ δεν θα αποτελέσουν περιβαλλοντικό πρόβλημα. Είναι απαραίτητο να ακολουθούνται μερικοί βασικοί κανόνες:

- τα ΑΗΗΕ δεν θα πρέπει να αντιμετωπίζονται σαν οικιακά απορρίμματα,
- τα ΑΗΗΕ θα πρέπει να μεταφέρονται στα ειδικά κέντρα συλλογής και ανακύκλωσης αποβλήτων που διαχειρίζονται οι δημοτικές αρχές ή εξουσιοδοτημένες εταιρείες.

Σε πολλές χώρες, μπορεί να υπάρχουν διαθέσιμες συλλογές από τα σπίτια για μεγάλα ΑΗΗΕ. Όταν αγοράζετε μια καινούργια συσκευή, η παλιά μπορεί να επιστραφεί στον πωλητή ο οποίος πρέπει να την παραλάβει χωρίς χρέωση σε αναλογία μία προς μία, εφόσον η συσκευή αυτή είναι ισοδύναμου τύπου και έχει τις ίδιες λειτουργίες με την παρεχόμενη συσκευή.

Istruzioni per il forno a microonde



Modello: CMGA25TNDB

Leggere attentamente queste istruzioni prima di installare e mettere in funzione il forno.

INDICE

IMPOSTAZIONE DELL'ORA DELL'OROLOGIO.....	11
CUCINA ESPRESSA.....	11
COTTURA A MICROONDE.....	11
SBRINAMENTO A TEMPO.....	12
SBRINAMENTO A PESO.....	12
GRILL.....	12
COTTURA COMBINATA.....	13
SICUREZZA BAMBINI.....	13
COTTURA AUTOMATICA.....	13

PRECAUZIONI PER EVITARE UNA POSSIBILE ESPOSIZIONE ALL'ECCESSIVA ENERGIA DELLE MICROONDE

1. Non tentare di far funzionare questo forno con lo sportello aperto, poiché il funzionamento a sportello aperto può provocare un'esposizione dannosa all'energia delle microonde. È importante non manomettere gli interblocchi di sicurezza.
2. Non collocare alcun oggetto tra la parte anteriore del forno e lo sportello, né lasciare che residui di sporco o detersivi si accumulino sulle superfici di tenuta.
3. Non azionare il forno se danneggiato. È particolarmente importante che lo sportello del forno si chiuda correttamente e che non vi siano danni a
 - a) Sportello (anche piegato),
 - b) Cerniere e chiusure (rotte o allentate),
 - c) Guarnizioni per sportelli e superfici di tenuta.
4. Il forno non deve essere regolato o riparato da nessuno, ad eccezione del personale di assistenza qualificato.

IMPORTANTI ISTRUZIONI DI SICUREZZA

Quando si utilizzano elettrodomestici è necessario seguire le precauzioni di sicurezza di base, tra cui le seguenti:

AVVERTENZA!-- Per ridurre il rischio di ustioni, scosse elettriche, incendi, lesioni alle persone o l'esposizione a un'eccessiva energia delle microonde:

1. Leggere tutte le istruzioni prima di utilizzare l'elettrodomestico e conservarle per riferimenti futuri.
2. Utilizzare l'elettrodomestico solo per l'uso previsto come descritto nel presente manuale. Non utilizzare prodotti chimici corrosivi o vapori nell'elettrodomestico. Questo tipo di forno è specificamente progettato per riscaldare, cuocere o essiccare gli alimenti. Non è progettato per uso industriale o di laboratorio.
3. Non azionare il forno quando è vuoto.
4. Non mettere in funzione l'elettrodomestico se ha un cavo o una spina danneggiati, se non funziona correttamente o se è stato danneggiato o è caduto. Se il cavo di alimentazione dell'elettrodomestico dovesse essere danneggiato, farlo sostituire dal produttore, dal suo servizio tecnico o da un tecnico qualificato, per evitare rischi.

5. **AVVERTENZA!**– Consentire ai bambini di utilizzare il forno senza sorveglianza solo quando sono state date istruzioni adeguate affinché il bambino sia in grado di utilizzare il forno in modo sicuro e comprenda i rischi di un uso improprio.
6. **AVVERTENZA!**– Quando l'elettrodomestico viene utilizzato in modalità combinata, i bambini dovrebbero utilizzare il forno solo sotto la supervisione di un adulto a causa delle temperature generate.
7. Per ridurre il rischio di incendio nel vano di cottura:
 - Quando si riscaldano alimenti in contenitori di plastica o di carta, tenere sotto controllo il forno per la possibilità di incendi.
 - Rimuovere i fili ritorti da sacchetti di carta o di plastica prima di mettere il sacchetto nel forno.
 - In presenza di fumo, spegnere l'elettrodomestico o staccarlo dall'alimentazione e mantenere lo sportello chiuso onde soffocare le eventuali fiamme.
 - Non utilizzare il vano del forno per la conservazione. Non lasciare prodotti di carta, utensili da cucina o alimenti nel vano del forno quando non è in uso.
 - Il forno a microonde è destinato al riscaldamento di alimenti e bevande. L'asciugatura di cuscinetti riscaldanti, pantofole, spugne, panni umidi e simili possono comportare il rischio di lesioni, accensione o incendio.
8. **AVVERTENZA!**– I liquidi e altri alimenti non devono essere scaldati in contenitori sigillati poiché potrebbero esplodere.
9. Non friggere alimenti nel forno. L'olio caldo può danneggiare le parti del forno e gli utensili e persino causare ustioni alla pelle.
10. Le uova nel guscio e le uova sode intere non devono essere riscaldate nei forni a microonde, poiché possono esplodere anche dopo la fine del riscaldamento a microonde.
11. Forare gli alimenti con bucce pesanti come patate, zucche intere, mele e castagne prima della cottura.
12. Il contenuto dei biberon e dei vasetti di omogeneizzati deve essere mescolato o agitato e la temperatura deve essere controllata prima di servire per evitare ustioni.
13. Gli utensili da cucina possono surriscaldarsi a causa del calore trasferito dal cibo riscaldato. Per maneggiare l'utensile possono essere necessarie le presine.
14. Gli utensili devono essere controllati per verificare che siano adatti all'uso nel forno a microonde.
15. **AVVERTENZA!**– È pericoloso per tutti, ad eccezione del personale addetto, eseguire qualsiasi operazione di manutenzione o di riparazione che implichi la rimozione di qualunque coperchio di protezione contro l'esposizione all'energia microonde.
16. Questo forno a microonde è conforme alla norma EN 55011/CISPR 11; nell'ambito di questa norma appartiene alla classificazione di Classe B Gruppo 2. Apparecchiature del gruppo 2: il gruppo 2 contiene tutte le apparecchiature ISM RF in cui l'energia a radiofrequenza nella gamma di frequenza da 9 kHz a 400 GHz è generata e utilizzata intenzionalmente o utilizzata solo localmente, sotto forma di radiazione elettromagnetica, accoppiamento induttivo e/o capacitivo, per il trattamento di materiale, per scopi di ispezione/analisi, o per il trasferimento di energia elettromagnetica. Per apparecchiature di classe B si intendono apparecchiature adatte all'uso in posizioni all'interno di ambienti residenziali e in sedi direttamente collegate ad una rete di alimentazione a bassa tensione che alimenta gli edifici adibiti ad uso domestico.

17. Questo elettrodomestico non è da intendersi adatto all'uso da parte di persone (incluso bambini) con ridotte capacità fisiche, sensoriali o mentali, o prive di esperienza e conoscenza, a meno che siano state supervisionate o istruite riguardo all'uso dell'elettrodomestico da una persona responsabile della loro sicurezza.
18. I bambini devono essere supervisionati per assicurarsi che non giochino con l'elettrodomestico.
19. Il forno a microonde viene utilizzato solo in versione indipendente.
20. **AVVERTENZA!**-- Non installare il forno sopra un piano di cottura o altro elettrodomestico che produce calore. Se installato in questo modo potrebbe essere danneggiato e la garanzia diventerebbe nulla.
21. Il forno a microonde non deve essere collocato in un mobile.
22. Lo sportello o la superficie esterna può surriscaldarsi quando l'elettrodomestico è in funzione.
23. **AVVERTENZA!**-- Durante l'utilizzo le parti accessibili possono diventare calde. I bambini piccoli devono essere mantenuti a distanza.
24. Durante l'uso l'elettrodomestico diventa caldo. Fare attenzione a non toccare le resistenze di riscaldamento all'interno del forno, per i ripiani di cottura e nei forni.
25. La temperatura delle superfici accessibili può essere elevata quando l'elettrodomestico è in funzione.
26. L'elettrodomestico non deve essere utilizzato da bambini o persone con ridotte capacità fisiche, sensoriali o mentali, o con scarsa esperienza e conoscenza, a meno che non siano stati supervisionati o istruiti.
27. **AVVERTENZA!**-- Se lo sportello o la guarnizione dello sportello sono danneggiati, il forno non dev'essere utilizzato fino a quando non è stato riparato da personale competente
28. Gli elettrodomestici non sono concepiti per funzionare con temporizzatori esterni o con sistemi di comando a distanza separati.
29. Il forno a microonde è solo per uso domestico e non per uso commerciale.
30. Non rimuovere mai il distanziatore sul retro o sui lati, in quanto garantisce una distanza minima dalla parete per la circolazione dell'aria.
31. Fissare il piatto rotante prima di spostare l'elettrodomestico per evitare danni.
32. **ATTENZIONE!**-- È pericoloso fare riparare o sottoporre a manutenzione l'elettrodomestico da personale non specializzato, poiché in queste circostanze è necessario rimuovere la copertura che garantisce la protezione contro le radiazioni a microonde. Questo vale anche per la sostituzione del cavo di alimentazione o dell'illuminazione. In questi casi, inviare l'elettrodomestico al nostro centro di assistenza.
33. Il forno a microonde è destinato esclusivamente allo scongelamento, alla cottura e alla cottura a vapore degli alimenti.
34. Utilizzare i guanti se si rimuovono gli alimenti riscaldati.
35. Attenzione! Il vapore fuoriesce quando si aprono i coperchi o la pellicola avvolgente.
36. L'elettrodomestico può essere utilizzato da bambini di età superiore a 8 anni e da persone con ridotte capacità fisiche, sensoriali o mentali, oppure prive di esperienza e conoscenza, se supervisionate o istruite riguardo all'uso dell'elettrodomestico in sicurezza, e se comprendono i rischi che derivano dall'uso dello stesso. I bambini

non devono giocare con l'elettrodomestico. La pulizia o la manutenzione da parte dell'utente non deve essere eseguita da bambini a meno che non abbiano più di 8 anni e siano sorvegliati.

37. In presenza di fumo, spegnere l'elettrodomestico o staccarlo dall'alimentazione e mantenere lo sportello chiuso onde soffocare le eventuali fiamme.

GUIDA ALL'INSTALLAZIONE

1. Assicurarsi che tutti i materiali di imballaggio siano stati rimossi dall'interno dello sportello.
2. **AVVERTENZA!**-- Controllare che il forno non presenti danni, come sportello non allineato o piegato, guarnizioni e superfici di tenuta danneggiate, cerniere e chiusure dello sportello rotte o allentate e ammaccature all'interno del vano di cottura o sullo sportello. In caso di danni, non mettere in funzione il forno e contattare il personale di assistenza qualificato.
3. Questo forno a microonde deve essere posizionato su una superficie piana e stabile per sostenere il suo peso e gli alimenti più pesanti che possono essere cotti all'interno del forno.
4. Non collocare il forno in luoghi in cui si generano calore, umidità, anche elevata, o in prossimità di materiali combustibili.
5. Per un corretto funzionamento, il forno deve avere un flusso d'aria sufficiente. Lasciare almeno 20 cm di spazio libero necessario sopra la superficie superiore del forno e 5 cm su entrambi i lati. La piastra posteriore del forno a microonde deve essere posizionata vicino alla parete. Non coprire o bloccare le aperture dell'elettrodomestico. Non rimuovere i piedini.
6. Non mettere in funzione il forno senza il vassoio in vetro, il supporto a rulli e il perno nella posizione corretta.
7. Accertarsi che il cavo di alimentazione non sia danneggiato e non si trovi sotto il forno o su superfici calde o taglienti.
8. La presa deve essere facilmente accessibile in modo da poter essere facilmente scollegata in caso di emergenza.
9. Non collocare l'elettrodomestico in ambienti esterni.

ISTRUZIONI DI MESSA A TERRA

Questo elettrodomestico deve essere collegato a terra. Questo forno è dotato di un cavo con filo di messa a terra e spina di messa a terra. Deve essere inserito in una presa a muro correttamente installata e messa a terra. In caso di corto circuito elettrico, la messa a terra riduce il rischio di scosse elettriche fornendo un filo di fuga per la corrente elettrica. Si raccomanda di prevedere un circuito separato che serva solo il forno. L'uso di una tensione elevata è pericoloso e può provocare un incendio o altri incidenti che possono causare danni al forno. **AVVERTENZA!**-- L'uso non corretto della spina di messa a terra può comportare il rischio di scosse elettriche. Nota:

1. In caso di domande sulla messa a terra o sulle istruzioni elettriche, consultare un elettricista qualificato o un tecnico dell'assistenza.

2. Né il produttore né il rivenditore si assumono alcuna responsabilità per danni al forno o lesioni personali derivanti dalla mancata osservanza delle procedure di collegamento elettrico.

I fili di questo cavo principale sono colorati secondo il seguente codice:

Verde e giallo = TERRA

Blu = NEUTRO

Marrone = ALIMENTAZIONE

INTERFERENZE RADIO

Il funzionamento del forno a microonde può causare interferenze con la radio, la TV o apparecchiature simili. In presenza di interferenze, queste possono essere ridotte o eliminate adottando le seguenti precauzioni:

1. Pulire lo sportello e la superficie di tenuta del forno.
2. Orientare nuovamente l'antenna di ricezione della radio o della televisione.
3. Riposizionare il forno a microonde rispetto al ricevitore.
4. Allontanare il forno a microonde dal ricevitore.
5. Collegare il forno a microonde ad una presa diversa in modo che il forno a microonde e il ricevitore si trovino su circuiti di derivazione diversi.

PRIMA DI CONTATTARE IL CENTRO ASSISTENZA

Prima di chiamare l'assistenza, controllare ciascuna delle voci sotto riportate:

- Controllare che il forno sia collegato perfettamente. In caso contrario, rimuovere la spina dalla presa, attendere 10 secondi e reinserirla a fondo.
- Controllare la presenza di un fusibile bruciato o di un salvamatore scattato. Se tutto sembra funzionare correttamente, provare la presa di corrente con un altro elettrodomestico.
- Verificare che il pannello di controllo sia programmato correttamente e che il timer sia impostato.
- Verificare che lo sportello sia chiuso saldamente innestando il sistema di blocco dello sportello. Se lo sportello non è chiuso correttamente, l'energia del microonde non fluisce all'interno.

SE NESSUNO DI QUESTI INTERVENTI RISOLVE LA SITUAZIONE, CONTATTARE UN TECNICO QUALIFICATO. NON CERCARE DI REGOLARE O RIPARARE IL FORNO DA SOLI.

TECNICHE DI COTTURA

1. Disporre gli alimenti con cura. Posizionare le parti più spesse verso l'esterno del piatto.
2. Controllare l'orario di cottura. Cuocere per il minor tempo indicato e aggiungere ulteriore tempo se necessario. Gli alimenti molto cotti possono produrre fumo o infiammarsi.
3. Coprire gli alimenti durante la cottura. Le coperture prevengono gli schizzi e aiutano la cottura uniforme degli alimenti.
4. Girare gli alimenti una volta durante la cottura a microonde per velocizzare la cottura di alimenti come pollo e hamburger. Alimenti di grandi dimensioni come gli arrostiti devono essere capovolti almeno una volta.
5. Girare gli alimenti come le polpette a metà cottura sia dall'alto verso il basso che dal centro del piatto verso l'esterno.

GUIDA AGLI UTENSILI DA CUCINA

1. Le microonde non possono penetrare il metallo. Utilizzare solo utensili adatti per l'uso nei forni a microonde. Non sono ammessi contenitori metallici per alimenti e bevande durante la cottura a microonde. Questo requisito non è applicabile se il produttore specifica le dimensioni e la forma dei contenitori metallici adatti alla cottura a microonde.
2. Le microonde non possono penetrare nel metallo, quindi non si devono usare utensili o stoviglie in metallo con finiture metalliche.
3. Non utilizzare prodotti di carta riciclata per la cottura a microonde, in quanto possono contenere piccoli frammenti metallici che possono causare scintille e/o incendi.
4. Si consigliano piatti rotondi/ovalati piuttosto che quadrati/oblunghi, dato che il cibo negli angoli tende a cuocere eccessivamente.
5. È possibile utilizzare strisce strette di foglio di alluminio per evitare il surriscaldamento delle aree esposte. Prestare attenzione a non usarne troppo e mantenere una distanza di 2,54 cm (1 pollice) tra il foglio e il vano cottura.

L'elenco che segue è una guida generale per aiutarvi a selezionare gli utensili corretti.

TIPI DI PENTOLE	MICROONDE	GRILL	COMBINATA
Vetro termoresistente	Sì	Sì	Sì
Vetro non termoresistente	No	No	No
Ceramica termoresistente	Sì	Sì	Sì
Piatto di plastica adatto al microonde	Sì	No	No
Carta da cucina	Sì	No	No

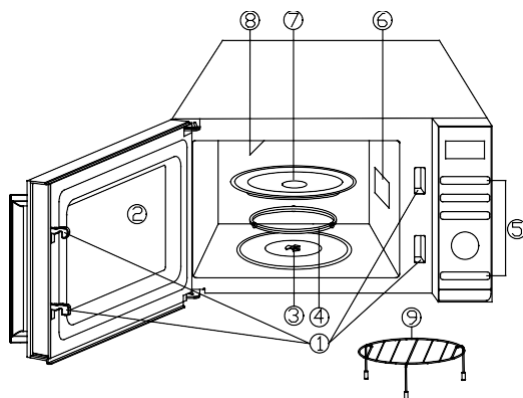
Vassoio in metallo	No	Sì	No
Ripiano in metallo	No	Sì	No
Pellicola di alluminio e contenitori in pellicola di alluminio	No	Sì	No

SPECIFICHE

Potenza assorbita:	230-240 V/50 Hz, 1400 W (microonde) 1000 W (griglia)
Potenza nominale microonde:	900 W
Frequenza di funzionamento:	2450 MHz
Dimensioni esterne:	281 mm(H)x483 mm(W)x420 mm(D)
Dimensioni del vano cottura:	220 mm(H)x340 mm(W)x344 mm(D)
Capacità forno:	25 litri
Peso netto:	Circa 14,1 kg

SCHEMA DEL PRODOTTO

1. Sistema di blocco di sicurezza porta
2. Finestra del forno
3. Perno
4. Anello a rulli
5. Pannello di controllo
6. Guida onde
(Si prega di non rimuovere la piastra di mica che copre la guida d'onda)
7. Vassoio in vetro
8. Riscaldatore Grill
9. Ripiano in metallo



PANNELLO DI CONTROLLO



● SCHERMO AZIONE MENÙ

Vengono visualizzati il tempo di cottura, la potenza e gli indicatori di azione.

● POTENZA

Premere per impostare il livello di potenza di cottura a microonde.

● REGOLAZIONE DEL PESO

Premere per impostare il peso del cibo o le porzioni.


● GRIGLIA

Premere per impostare il programma di cottura con grill.

● COMBINAZIONE

Premere per impostare il programma di combinazione.

● SCONGELAMENTO AUTOMATICO

Auto 

Premere una volta per scongelare il cibo in base al tempo. Premere due volte per scongelare il cibo in base al peso.

● OROLOGIO

Premere per impostare l'ora dell'orologio.

● MENU/TIME (quadrante)

Girare la manopola per impostare il tempo.

Ruotare la manopola per selezionare il menu di cottura automatica.

● PAUSA/ANNULLAMENTO Cancel


Premere una volta per interrompere temporaneamente la cottura o due volte per annullare la cottura.

● AVVIO/AVVIO RAPIDO Quick Start

Premere per avviare i programmi di cottura e scongelamento.

Basta premerlo più volte per impostare il tempo di cottura e cuocere immediatamente a potenza massima.

ISTRUZIONI PER L'USO

- Quando il forno viene collegato per la prima volta, viene emesso un segnale acustico e il display visualizza "1:01", "".
- Nel processo di impostazione, trascorsi circa 25 secondi il forno tornerà in modalità standby.
- Durante la cottura, se si preme una volta il pulsante PAUSE/CANCEL, il programma verrà messo in pausa, quindi premere il pulsante START/QUICK START per riprendere. Ma se si preme due volte il pulsante PAUSE/CANCEL, il programma sarà cancellato.
- Dopo la fine della cottura, il display mostrerà End e il segnale acustico suonerà ogni due minuti finché l'utente non preme il pulsante PAUSE/CANCEL o apre lo sportello.
- Nel processo di funzionamento, premere un pulsante valido, il cicalino suona una volta, ma se premere un pulsante non valido, il cicalino suona due volte.

IMPOSTAZIONE DELL'ORA DELL'OROLOGIO

Questo è un orologio di 12 e 24 ore, si può scegliere di impostare il tempo dell'orologio in 12 o 24 ore premendo il pulsante CLOCK in modalità standby.

1. In modalità standby, premere ripetutamente il pulsante CLOCK per scegliere l'orologio a 12 o 24 ore.
2. Girare la manopola MENU/TIME per impostare la cifra dell'ora.
3. Premere una volta il pulsante CLOCK.
4. Girare la manopola MENU/TIME per impostare la cifra dei minuti.
5. Premere una volta il pulsante CLOCK per confermare.

NOTA: Durante la cottura, è possibile controllare l'ora corrente dell'orologio premendo il pulsante CLOCK.

CUCINA ESPRESSA

Usare questa funzione per programmare il forno a microonde al 100% di potenza in modo conveniente. In modalità standby, basta premere ripetutamente il pulsante START/QUICK START per impostare il tempo di cottura (ogni pressione aumenta di 30 secondi, e fino a 10 minuti), il forno inizia a lavorare automaticamente a piena potenza.

COTTURA A MICROONDE

1. In modalità standby, premere ripetutamente il pulsante POWER per selezionare il livello di potenza.
2. Girare la manopola MENU/TIME in senso orario per impostare il tempo di cottura. Il tempo massimo è di 95 minuti.
3. Premere il pulsante AVVIO/AVVIO RAPIDO per confermare.

Premere il pulsante POWER per selezionare il livello di potenza:

Premere il pulsante POWER	Potenza (display)	Premere il pulsante POWER	Potenza (display)
Una volta	100% (100)	7 volte	40% (40)
Due volte	90% (90)	8 volte	30% (30)
3 volte	80% (80)	9 volte	20% (20)
4 volte	70% (70)	10 volte	10% (10)
5 volte	60% (60)	11 volte	0% (00)
6 volte	50% (50)		

NOTA: Durante la cottura, è possibile controllare il livello di potenza di cottura premendo il pulsante POWER.

SBRINAMENTO A TEMPO

1. In modalità standby, premere una volta il pulsante AUTO DEFROST.
2. Girare la manopola MENU/TIME per impostare il tempo di sbrinamento. Il tempo massimo è di 95 minuti.
3. Premere il pulsante AVVIO/AVVIO RAPIDO per confermare.

NOTA: Durante il programma di scongelamento, il sistema si ferma ed emette un segnale acustico per ricordare all'utente di girare gli alimenti, quindi premere il pulsante AVVIO/AVVIO RAPIDO per riprendere lo scongelamento.

SBRINAMENTO A PESO

Il tempo di scongelamento e il livello di potenza sono impostati automaticamente una volta programmato il peso del cibo. Il peso del cibo congelato varia da 100 g a 1800 g.

1. In modalità standby, premere due volte il pulsante AUTO DEFROST.
2. Premere ripetutamente il pulsante WEIGHT ADJUST per selezionare il peso del cibo.
3. Premere il pulsante AVVIO/AVVIO RAPIDO per confermare.

NOTA: Durante lo scongelamento, il sistema si ferma e suona per ricordare all'utente di girare il cibo e poi premere il pulsante START/QUICK START per riprendere.

GRILL

La cottura alla griglia è particolarmente utile per fette sottili di carne, bistecche, bracioline, spiedini, salsicce e pollo in pezzi. È adatto anche per panini caldi e piatti gratinati.

1. In modalità standby, premere una volta il pulsante GRILL.

2. Girare la manopola MENU/TIME per impostare il tempo di cottura. Il tempo massimo è di 95 minuti.
3. Premere il pulsante AVVIO/AVVIO RAPIDO per confermare.

COTTURA COMBINATA

Il grill funziona più a lungo del microonde in combinazione con la modalità di cottura 1, si utilizza per la cottura del pesce e per i piatti gratinati. Ma il microonde funziona più a lungo del grill in combinazione con la modalità di cottura 2, si utilizza per i budini, le omelette, le patate al forno e il pollame.

1. In modalità standby, premere il pulsante COMBINATION una o due volte per selezionare "Co-1" o "Co-2".
2. Girare la manopola MENU/TIME per impostare il tempo di cottura. Il tempo massimo è di 95 minuti.
3. Premere il pulsante AVVIO/AVVIO RAPIDO per confermare.

PULIZIA AUTOMATICA

Mettere una ciotola con 300 g di acqua nel forno e chiudere la porta.

4. In modalità standby, girare il quadrante MENU/TIME in senso antiorario una volta, e poi girare il quadrante finché il display mostra "CLE" e "AUTO".
5. Premere una volta il pulsante WEIGHT ADJUST.
6. Premere il pulsante START/QUICK START per iniziare.

NOTA: Il tempo di pulizia è di 10 minuti.

SICUREZZA BAMBINI

Utilizzare per evitare che i bambini utilizzino il forno senza supervisione.

Per entrare nel blocco a prova di bambino: In modalità standby, se non c'è nessuna operazione entro un minuto, il forno entrerà automaticamente in modalità di blocco per bambini e la spia del blocco si accenderà. Nello stato di sicurezza bambini, tutti i pulsanti sono disabilitati.

Per annullare: In modalità blocco bambini, aprire o chiudere lo sportello del forno per cancellare il programma e la spia del blocco si spegne.

COTTURA AUTOMATICA

Per il seguente alimento o modo di cottura, non è necessario programmare il tempo e la potenza di cottura. È sufficiente indicare il tipo di cibo che si desidera cucinare, nonché il peso o le porzioni di questo alimento.

1. In modalità standby, girare la manopola MENU/TIME in senso antiorario per selezionare il codice del cibo.
2. Premere ripetutamente il pulsante WEIGHT ADJUST per selezionare il peso del cibo o le porzioni.
3. Premere il pulsante AVVIO/AVVIO RAPIDO per confermare.

Menù di cottura automatica:

Codice	Alimenti	Peso/Quantità	Nota
A-01	Latte/caffè/tè (200 ml/tazza)	1 tazza	Il display mostrerà il numero di porzioni invece del peso del cibo
		da 2 dosatori	
		da 3 dosatori	
A-02	Spaghetti	100 g	
		200 g	
		300 g	
A-03	Patata	100 g	
		200 g	
		300 g	
A-04	Riscaldamento automatico	200 g	
		300 g	
		400 g	
		500 g	
		600 g	
		700 g	
		800 g	
A-05	Pesce	200 g	
		300 g	
		400 g	
		500 g	
		600 g	
A-06	Popcorn	100 g	
A-07	Pollo	800 g	Durante la cottura il forno si fermerà per ricordare all'utente di girare il cibo, dopo di che premere il pulsante START/QUICK START per riprendere
		900 g	
		1000 g	
		1100 g	
		1200 g	
A-08	Manzo/Montone	200 g	
		300 g	
		400 g	
		500 g	
		600 g	

Codice	Alimenti	Peso/Quantità	Nota
A-09	Carne allo spiedo	100 g	Durante la cottura il forno si fermerà per ricordare all'utente di girare il cibo, dopo di che premere il pulsante START/QUICK START per riprendere
		200 g	
		300 g	
		400 g	
		500 g	
A-10	Zuppa	200 g	
		400 g	
		600 g	
A-11	Porridge	50 g	
		100 g	
		150 g	
A-12	ortofrutticoli allo stato naturale	200 g	
		300 g	
		400 g	
		500 g	
		600 g	
A-13	Verdura congelata	200 g	
		300 g	
		400 g	
		500 g	
		600 g	
A-14	Riso	150 g	
		300 g	
		450 g	
		600 g	
A-15	Pizza	150 g	
		300 g	
		450 g	
A-16	Pesce alla griglia	200 g	Durante la cottura il forno si fermerà per ricordare all'utente di girare il cibo, dopo di che premere il pulsante START/QUICK START per riprendere
		300 g	
		400 g	
		500 g	
		600 g	

Codice	Alimenti	Peso/Quantità	Nota
A-17	Pancetta alla griglia	100 g	
		200 g	
		300 g	
A-18	Salsicce e salami	100 g	Durante la cottura il forno si fermerà per ricordare all'utente di girare il cibo, dopo di che premere il pulsante START/QUICK START per riprendere
		200 g	
		300 g	
		400 g	
A-19	Autoclean/(la prestazione sarebbe la goccia d'acqua piena dell'interno della cavità)	500 g	

Il risultato della cottura automatica dipende da fattori quali la forma e le dimensioni degli alimenti, le vostre preferenze personali per quanto riguarda il grado di cottura di alcuni alimenti e anche con che cura introducete gli alimenti nel forno stesso. Se il risultato non dovesse comunque risultare soddisfacente, regolare di conseguenza il tempo di cottura.

PULIZIA E MANUTENZIONE

1. Spegner il forno e togliere il cavo di alimentazione dalla presa a muro prima della pulizia.
2. Pulizia all'interno del vano cottura. Quando schizzi di alimenti o liquidi versati aderiscono alle pareti del forno, strofinare con un panno umido. Se il forno è molto sporco, è possibile utilizzare un detergente delicato. Evitare l'uso di spray o altri detergenti aggressivi. Possono macchiare, striare o opacizzare la superficie dello sportello.
3. La parte esterna del forno deve essere pulita con un panno umido. Per evitare danni alle parti operative all'interno del forno, non lasciare che l'acqua penetri nelle aperture di ventilazione.
4. Pulire lo sportello e il vetro su entrambi i lati, le guarnizioni dello sportello e le parti adiacenti frequentemente con un panno umido per rimuovere eventuali fuoriuscite o spruzzi. Non utilizzare detergenti aggressivi.
5. Si sconsiglia l'utilizzo di una pulitrice a vapore.
6. Non lasciare che il pannello di controllo si bagni. Pulire con un panno morbido e umido. Durante la pulizia del pannello di controllo, lasciare lo sportello del forno aperto per evitare che il forno si accenda accidentalmente.
7. Se il vapore si accumula all'interno o all'esterno dello sportello del forno, strofinare con un panno morbido. Ciò può verificarsi quando il forno a microonde viene utilizzato in condizioni di elevata umidità. Tutto questo è normale.

8. Occasionalmente è necessario rimuovere il vassoio in vetro per la pulizia. Lavare il vassoio in acqua tiepida insaponata o in lavastoviglie.
9. L'anello a rulli e il fondo del forno devono essere puliti regolarmente per evitare rumori eccessivi. Pulire semplicemente la superficie inferiore del forno con un detergente delicato. L'anello a rulli può essere lavato in acqua tiepida insaponata o in lavastoviglie. Quando si toglie l'anello a rulli, assicurarsi di riposizionarlo nella posizione corretta.
10. Eliminare gli odori dal forno mescolando una tazza d'acqua con il succo e la buccia di un limone in una ciotola adatta per microonde. Riscaldarla nel microonde per 5 minuti. Risciacquare accuratamente e asciugare con uno panno morbido.
11. Se la lampadina si brucia, si prega di contattare il servizio clienti per farla sostituire.
12. Il forno deve essere pulito regolarmente togliendo gli eventuali depositi di alimenti. La mancata conservazione del forno in condizioni di pulizia può portare ad un deterioramento della superficie che potrebbe compromettere la durata dell'elettrodomestico e causare una situazione di pericolo.
13. Non gettare l'elettrodomestico insieme ai rifiuti domestici; deve essere smaltito in un apposito centro di smaltimento messo a disposizione dai comuni.
14. Quando il forno a microonde con funzione grill viene utilizzato per la prima volta, può produrre un leggero fumo e odore. Si tratta di un fenomeno normale perché il forno è costituito da una piastra di acciaio rivestita di olio lubrificante e il forno nuovo produrrà fumi e odori generati dalla combustione dell'olio lubrificante. Questo fenomeno scomparirà dopo un periodo di utilizzo.



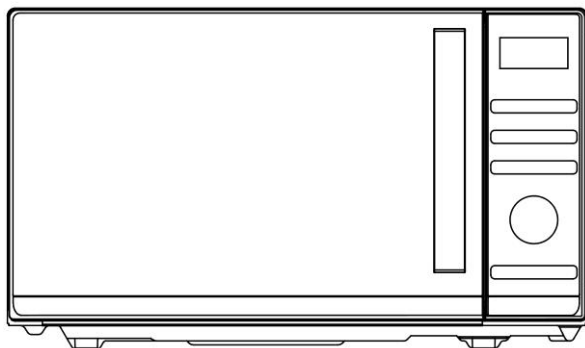
Questo apparecchio è etichettato in conformità alla direttiva europea 2012/19/UE sui rifiuti di apparecchiature elettriche ed elettroniche (Waste Electrical and Electronic Equipment Regulations 2013) per quanto riguarda le apparecchiature elettriche ed elettroniche (WEEE). I RAEE contengono sia sostanze inquinanti (che possono avere un effetto negativo sull'ambiente) sia elementi base (che possono essere riutilizzati). È importante che i RAEE siano sottoposti a trattamenti specifici in modo da togliere e smaltire in

modo corretto gli inquinanti e recuperare tutti i materiali. Spetta ai singoli individui garantire che i RAEE non diventino un problema a livello ambientale. Esistono alcune regole specifiche da rispettare:

- i RAEE non devono essere trattati come rifiuti domestici;
- i RAEE devono essere portati nelle aree di smaltimento specifiche, gestite dai comuni o da società autorizzate.

In molti stati, nel caso di RAEE di grandi dimensioni sono disponibili servizi di prelievo a domicilio. Nel caso di acquisto di un nuovo elettrodomestico, quello vecchio può essere restituito al venditore che lo deve accettare gratuitamente in un'unica soluzione, a condizione che l'elettrodomestico sia di tipo simile ed abbia le stesse funzioni di quello acquistato.

Instruções do forno de microondas



Modelo: CMGA25TNDB

Leia atentamente estas instruções antes de instalar e operar o forno.

CONTEÚDOS

ACERTAR A HORA DO RELÓGIO.....	11
COZINHA EXPRESSA.....	11
COZIMENTO COM MICROONDAS.....	11
DESCONGELAMENTO TEMPORAL.....	12
DESCONGELAMENTO DO PESO.....	12
GRILL.....	13
COMBINAÇÃO.....	13
BLOQUEIO PARA CRIANÇAS.....	13
COZINHEIRO AUTOMÁTICO.....	13

PRECAUÇÕES PARA EVITAR POSSÍVEIS EXPOSIÇÕES À ENERGIA EXCESSIVA DE MICRO-ONDAS

1. Não tente operar este forno com a porta aberta, pois o funcionamento de porta aberta pode resultar em exposição nociva à energia de microondas. É importante não derrotar ou adulterar as travas de segurança.
2. Não colocar nenhum objeto entre a face frontal do forno e a porta ou permitir que se acumulem resíduos nas superfícies vedantes.
3. Não operar o forno se este estiver danificado. É muito importante que a porta do forno se feche correctamente e que não haja danos para a
 - a) Porta (incluindo qualquer dobra),
 - b) Dobradiças e fechos (quebrados ou afrouxados),
 - c) Selagem de portas e superfícies de selagem.
4. O forno não deve ser ajustado ou reparado por ninguém, excepto por pessoal de serviço qualificado.

INSTRUÇÕES DE SEGURANÇA IMPORTANTES

Ao utilizar aparelhos eléctricos devem ser seguidas as precauções básicas de segurança, incluindo as seguintes:

ADVERTÊNCIA!--Diminuir o risco de queimaduras, choques eléctricos, incêndios, ferimentos em pessoas ou exposição a energia excessiva de microondas:

1. Leia todas as instruções antes de utilizar o aparelho e guarde-as para referência futura.
2. Utilizar este aparelho apenas para o seu uso pretendido, tal como descrito no manual. Nunca utilize produtos corrosivos neste forno, nem permita que ele seja exposto a vapores de produtos corrosivos. Este tipo de forno é especificamente concebido para aquecer, cozinhar ou secar alimentos. Ele não foi concebido para uma utilização industrial nem laboratorial.
3. NUNCA utilize o forno quando este estiver vazio.
4. Não operar este aparelho se tiver um cabo ou ficha danificados, se não estiver a funcionar correctamente, ou se tiver sido danificado ou caído. Se o cabo de alimentação estiver danificado, deve ser substituído pelo fabricante, pelo seu agente de serviço ou por pessoa qualificada, para evitar perigo.
5. **ADVERTÊNCIA!**--Apenas permitir que as crianças utilizem o forno sem supervisão quando tiverem sido dadas instruções adequadas para que a criança possa utilizar

o forno de uma forma segura e compreenda os perigos de uma utilização inadequada.

6. **ADVERTÊNCIA!**--Quando o aparelho é operado no modo combinado, as crianças só devem utilizar o forno sob a supervisão de um adulto, devido às temperaturas geradas
7. Para reduzir o risco de incêndio na cavidade do forno:
 - Ao aquecer alimentos em recipientes de plástico ou papel, vigiar o forno devido à possibilidade de inflamação.
 - Remover os cordões de arame dos sacos de papel ou plástico antes de colocar o saco no forno.
 - Se fizer fumo, desligar o aparelho e manter a porta fechada para abafar algumas chamas.
 - Não utilizar a cavidade para fins de armazenamento. Não deixar produtos de papel, utensílios de cozinha, ou alimentos na cavidade quando não estiverem a ser utilizados.
 - O forno de microondas destina-se ao aquecimento de alimentos e bebidas. A secagem do vestuário e o aquecimento das almofadas de aquecimento, chinelos, esponjas, pano húmido e similares podem levar ao risco de ferimentos, ignição ou fogo.
8. **ADVERTÊNCIA!**--Os líquidos ou outros alimentos não devem ser aquecidos em recipientes selados, uma vez que são susceptíveis de explodir.
9. O aquecimento por microondas de bebidas pode resultar numa ebulição eruptiva retardada, pelo que se deve ter cuidado ao manusear o recipiente.
10. Não fritar os alimentos no forno. O óleo quente pode danificar partes do forno e utensílios e até resultar em queimaduras na pele.
11. Nunca cozinhe ovos com casca nem aqueça ovos cozidos inteiros no forno microondas, pois corre o risco de eles explodirem depois de o forno se desligar.
12. Perfurar alimentos com peles pesadas, tais como batatas, abóboras inteiras, maçãs e castanhas antes de cozinhar.
13. O conteúdo dos biberões e dos biberões deve ser mexido ou abanado e a temperatura deve ser verificada antes de servir, a fim de evitar queimaduras.
14. Os utensílios de cozinha podem ficar quentes por causa do calor transferido dos alimentos aquecidos. Podem ser necessários porta-objects para manusear o utensílio.
15. Os utensílios devem ser verificados para garantir que são adequados para utilização em fornos de microondas.
16. **ADVERTÊNCIA!**--É perigoso para qualquer pessoa que não seja uma pessoa treinada realizar qualquer serviço ou operação de reparação que envolva a remoção de qualquer cobertura que dê protecção contra a exposição à energia de microondas.
17. Esta Microonda cumpre a norma EN 55011/CISPR 11, nesta norma pertence à classificação da Classe B Grupo 2. Equipamento do grupo 2: o grupo 2 contém todo o equipamento ISM RF em que a energia de radiofrequência na gama de frequências de 9 kHz a 400 GHz é intencionalmente gerada e utilizada ou apenas utilizada localmente, sob a forma de radiação electromagnética, acoplamento indutivo e/ou capacitivo, para o tratamento de material, para fins de inspecção/análise, ou para a transferência de energia electromagnética. O equipamento de classe B é equipamento adequado para utilização em locais em

- ambientes residenciais e em estabelecimentos directamente ligados a uma rede de alimentação eléctrica de baixa tensão que abastece edifícios utilizados para fins domésticos.
18. Este aparelho não se destina a ser utilizado por pessoas (incluindo crianças) com capacidades físicas, sensoriais ou mentais reduzidas, ou falta de experiência e conhecimento, exceto se tiverem recebido instruções relativas à utilização do mesmo por uma pessoa responsável pela sua segurança.
 19. As crianças devem ser supervisionadas para garantir que não brincam com o equipamento.
 20. O forno de microondas só é utilizado em regime de livre utilização.
 21. **ADVERTÊNCIA!**--Não instalar o forno sobre um fogão de gama ou outro aparelho produtor de calor. se instalado poderia ser danificado e a garantia seria evitada .
 22. O forno de microondas não deve ser colocado num armário.
 23. A porta ou a superfície exterior pode ficar quente quando o aparelho está a funcionar.
 24. **ADVERTÊNCIA!**--As partes acessíveis podem ficar quentes durante a utilização. As crianças pequenas devem ser mantidas afastadas.
 25. Durante a utilização, o aparelho fica quente. Deve-se ter o cuidado de evitar tocar nos elementos de aquecimento no interior do forno, para cozer ao ar livre e fornos.
 26. A temperatura das superfícies acessíveis pode ser elevada quando o aparelho está em funcionamento.
 27. O aparelho não deve ser usado por crianças ou pessoas com capacidades físicas, sensoriais ou mentais reduzidas, ou com falta de experiência e conhecimento, a menos que tenham recebido supervisão ou instruções.
 28. **ADVERTÊNCIA!**--Se a porta ou as juntas da porta forem danificadas, o forno não deve ser operado até que tenha sido reparado por uma pessoa competente.
 29. O equipamento não foi desenhado para ser operado através de um temporizador externo ou sistema de controlo remoto separado.
 30. O forno de microondas é apenas para uso doméstico e não para uso comercial.
 31. Nunca remover o suporte de distância na parte de trás ou nos lados, pois garante uma distância mínima da parede para a circulação de ar.
 32. Por favor, prenda o prato antes de mover o aparelho para evitar danos.
 33. **CUIDADO!**--É perigoso reparar ou manter o aparelho apenas por um especialista, porque nestas circunstâncias a cobertura tem de ser removida, o que assegura a protecção contra a radiação de microondas. Isto aplica-se também à mudança do cabo de alimentação ou da iluminação. Enviar o aparelho nestes casos para o nosso centro de serviços.
 34. O forno de microondas destina-se apenas à descongelação, cozedura e estufagem de alimentos.
 35. Usar luvas se remover qualquer alimento aquecido.
 36. Cuidado! O vapor escapará, ao abrir as tampas ou ao embrulhar a folha.
 37. Este equipamento pode ser usado por crianças a partir dos 8 anos de idade e por pessoas com incapacidade física, sensorial ou mental, ou sem experiência e conhecimentos para o fazer, desde que supervisionadas ou devidamente orientadas relativamente ao uso seguro do equipamento e sobre os perigos envolvidos. As crianças não podem brincar com o equipamento. A limpeza e a

manutenção não devem ser efetuadas por crianças, a não ser que tenham mais de 8 anos e que sejam supervisionadas.

38. Se fizer fumo, desligar o aparelho e manter a porta fechada para abafar algumas chamas.

GUIA DE INSTALAÇÃO

1. Certificar-se de que todos os materiais de embalagem são removidos do interior da porta.
2. **ADVERTÊNCIA!**--Verifiquem o forno quanto a quaisquer danos, tais como porta desalinhada ou dobrada, vedações de porta e superfície de vedação danificadas, dobradiças de porta partidas ou soltas e fechos e amolgadelas no interior da cavidade ou na porta. Se houver algum dano, não operar o forno e contactar pessoal de serviço qualificado.
3. Este forno microondas deve ser colocado sobre uma superfície plana e estável para manter o seu peso e os alimentos mais pesados susceptíveis de serem cozinhados no forno.
4. Não colocar o forno onde é gerado calor, humidade, ou humidade elevada, ou perto de materiais combustíveis.
5. Para um funcionamento correcto, o forno deve ter fluxo de ar suficiente. Permitir um mínimo de 20cm de espaço livre necessário acima da superfície superior do forno e 5cm em ambos os lados. A placa traseira do forno microondas deve ser colocada perto da parede. Não cubra nem bloqueie quaisquer aberturas no aparelho. Não retirar os pés.
6. Não operar o forno sem bandeja de vidro, suporte de rolos, e eixo nas suas posições adequadas.
7. Certifique-se de que o cabo de alimentação não está danificado e não corre sob o forno ou sobre qualquer superfície quente ou afiada.
8. A tomada deve ser facilmente acessível para que possa ser facilmente desconectada em caso de emergência.
9. Não utilizar o forno ao ar livre.

INSTRUÇÕES DE ATERRAMENTO

Este aparelho deve ser ligado à terra. Este forno está equipado com um cordão com um fio de aterramento com uma ficha de aterramento. Deve ser ligado a um recipiente de parede devidamente instalado e ligado à terra. No caso de um curto-circuito, a ligação à terra reduz o risco de choque eléctrico ao fornecer um fio de fuga para a corrente eléctrica. Recomenda-se que seja fornecido um circuito separado que sirva apenas o forno. A utilização de alta voltagem é perigosa e pode resultar num incêndio ou outro acidente causando danos no forno. **ADVERTÊNCIA!**--O uso incorrecto da ficha de ligação à terra pode resultar num risco de choque eléctrico. Nota:

1. Se tiver quaisquer perguntas sobre a ligação à terra ou instruções eléctricas, consulte um electricista qualificado ou uma pessoa de serviço.

2. Nem o fabricante nem o revendedor podem aceitar qualquer responsabilidade por danos no forno ou ferimentos pessoais resultantes da não observância dos procedimentos de ligação eléctrica.

Os fios neste cabo principal são coloridos de acordo com o seguinte código:

Verde e amarelo TERRA

Azul = Neutro

Marrom = Vivo

INTERFERÊNCIAS ELECTROMAGNÉTICAS

O funcionamento do forno de microondas pode causar interferências no seu rádio, televisão ou equipamento semelhante. Quando há interferência, esta pode ser reduzida ou eliminada através da adopção das seguintes medidas:

1. Limpar a porta e a superfície de vedação do forno.
2. Reorientar a antena de recepção de rádio ou televisão.
3. Mudar a localização do forno de microondas em relação ao receptor.
4. Afastar o forno de microondas do receptor.
5. Ligar o forno de microondas a uma tomada diferente para que o forno de microondas e o receptor estejam em circuitos de ramificação diferentes.

ANTES DE CHAMAR AO SERVIÇO

Antes de pedir o serviço, por favor verifique cada item abaixo:

- Verificar se o forno está ligado com segurança. Caso contrário, remover a ficha da tomada, esperar 10 segundos, e ligá-la novamente em segurança.
- Verificar se há um fusível queimado ou um disjuntor principal activado. Se estes parecerem estar a funcionar correctamente, testar a tomada com outro aparelho.
- Verificar se o painel de controlo está programado correctamente e se o temporizador está definido.
- Verificar se a porta está bem fechada, encaixando o sistema de fecho da porta. Se a porta não estiver devidamente fechada, a energia do microondas não fluirá para dentro.

SE NENHUMA DAS SITUAÇÕES ACIMA REFERIDAS RECTIFICAR A SITUAÇÃO, ENTÃO CONTACTAR UM TÉCNICO QUALIFICADO. NÃO TENHA AJUSTAR OU REPARAR O FORNO VOCÊ MESMO.

TÉCNICAS DE COZEDURA

1. Organizar cuidadosamente os alimentos. Colocar as áreas mais espessas em direcção ao exterior do prato.
2. Observar o tempo de cozedura. Cozinhar durante o menor período de tempo indicado e adicionar mais conforme necessário. Os alimentos muito cozinhados podem fumar ou incendiar-se.
3. Cobrir os alimentos enquanto cozinham. As coberturas evitam salpicos e ajudam os alimentos a cozinhar de forma homogénea.
4. Virar os alimentos uma vez durante a cozedura no microondas para acelerar a cozedura de alimentos como o frango e os hambúrgueres. Grandes itens como assados devem ser virados pelo menos uma vez.
5. Reorganizar alimentos tais como almôndegas a meio caminho da cozedura tanto de cima para baixo como do centro do prato para o exterior.

GUIA DE UTENSÍLIOS DE COZINHA

1. As micro-ondas não conseguem penetrar o metal. Utilizar apenas utensílios adequados para utilização em fornos de microondas. Os recipientes metálicos para alimentos e bebidas não são permitidos durante a cozedura no microondas. Este requisito não é aplicável se o fabricante especificar o tamanho e a forma dos recipientes metálicos adequados para cozinhar no microondas.
2. As microondas não podem penetrar o metal, pelo que não devem ser utilizados utensílios metálicos ou pratos com guarnições metálicas.
3. Não utilizar produtos de papel reciclado ao cozinhar no microondas, pois podem conter pequenos fragmentos de metal que podem causar faíscas e/ou incêndios.
4. Recomenda-se pratos redondos/ovais em vez de quadrados/oblongos, uma vez que a comida nos cantos tende a cozer em demasia.
5. Tiras estreitas de folha de alumínio podem ser usadas para evitar a cozedura excessiva de áreas expostas. Mas tenha cuidado, não use demasiado e mantenha uma distância de 2,54cm (1 polegada) entre a folha e a cavidade.

A lista abaixo é um guia geral para o ajudar a seleccionar os utensílios correctos.

Utensílios de cozinha	MICRO-ONDAS	GRELHA	COMBINAÇÃO
Vidro Resistente ao Calor	Sim	Sim	Sim
Vidro não resistente ao calor	Não	Não	Não
Cerâmica resistente ao calor	Sim	Sim	Sim
Prato de Plástico Micro-Ondas-Safe	Sim	Não	Não
Papel de cozinha	Sim	Não	Não

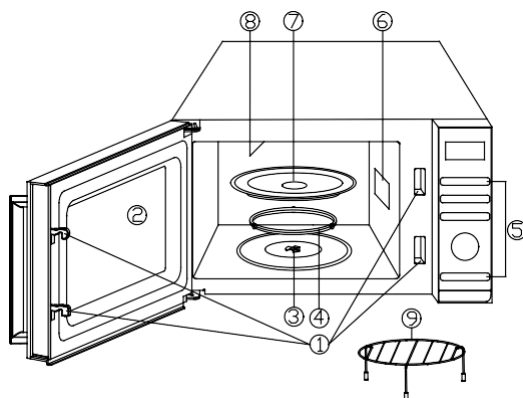
Utensílios de cozinha	MICRO-ONDAS	GRELHA	COMBINAÇÃO
Bandeja metálica	Não	Sim	Não
Bastidor metálico	Não	Sim	Não
Folha de Alumínio e Recipientes de Folha de Alumínio	Não	Sim	Não

ESPECIFICAÇÕES

Consumo de Energia:	230-240 V/50 Hz, 1400 W(Microondas) 1000 W(Grill)
Potência Nominal de Saída de Microondas:	900 W
Frequência de funcionamento:	2450MHz
Dimensões externas:	281 mm(A)x483 mm(L)x420 mm(P)
Dimensões do interior do forno:	220 mm(A)x340 mm(L)x344 mm(P)
Capacidade do Forno:	25 litros
Peso Líquido:	Aprox.14.1 kg

DIAGRAMA DO PRODUTO

1. Sistema de Fecho de Segurança de Portas
2. VIDRO DO FORNO
3. Eixo
4. Anel de rolete
5. Painel de controlo
6. guia de ondas
(Por favor não remova a placa de mica que cobre a guia de ondas)
7. Bandeja em vidro
8. Resistência do grelhador:
9. Bastidor metálico



PAINEL DE CONTROLO



● ECRÃ DE ACÇÃO DO MENU

O tempo de cozedura, a potência, os indicadores de acção são exibidos.

● POWER

Pressione para definir o nível de potência de cozedura no microondas.

● AJUSTE DO PESO

Pressione para definir o peso dos alimentos ou porções.

● GRELHA

Pressione para definir o programa de cozedura de grelhados.

● COMBINAÇÃO

Pressione para definir o programa de combinação.

● AUTO DEFROST Auto

Pressione uma vez para descongelar os alimentos com base no tempo. Pressione duas vezes para descongelar os alimentos com base no peso.

● RELÓGIO

Pressione para acertar a hora do relógio.

● MENU/TIME (marcação)

Rode o mostrador para acertar a hora. Rode o mostrador para seleccionar o menu de cozedura automática.

● PAUSA/CANCELA Cancel


Pressione uma vez para parar temporariamente de cozinhar, ou duas vezes para cancelar completamente a cozedura.

● INÍCIO/ARRANQUE RÁPIDO Quick Start

Pressione para iniciar programas de cozedura e descongelação.

Basta premir várias vezes para definir o tempo de cozedura e cozinhar imediatamente ao nível da potência máxima.

INSTRUÇÕES DE FUNCIONAMENTO

- Quando o forno for ligado pela primeira vez, soará um sinal sonoro e o visor mostrará "1:01", .
- No processo de afinação, partiu-se cerca de 25 segundos e o forno voltará ao modo de espera.
- Durante a cozedura, se premir uma vez o botão PAUSE/CANCEL, o programa será pausado, depois premir o botão START/QUICK START para retomar. Mas se pressionar duas vezes o botão PAUSE/CANCEL, o programa será cancelado.
- Após o final da cozedura, o visor mostrará End e o sinal sonoro soará de dois em dois minutos até o utilizador premir o botão PAUSE/CANCEL ou abrir a porta.
- No processo de operação, prima um botão válido, a campainha toca uma vez, mas se premir um botão inválido, a campainha toca duas vezes.

ACERTAR A HORA DO RELÓGIO

Este é um relógio de 12 e 24 horas, pode escolher acertar a hora do relógio em ciclo de 12 ou 24 horas premindo o botão CLOCK em modo de espera.

1. Em modo de espera, premir repetidamente o botão CLOCK para escolher um relógio de 12 ou 24 horas.
2. Rode o botão MENU/TIME para definir o dígito da hora.
3. Carregar uma vez no botão CLOCK.
4. Rode o botão MENU/TIME para definir o dígito dos minutos.
5. Prima o botão CLOCK uma vez para confirmar.

NOTA: Durante a cozedura, pode verificar a hora actual do relógio premindo o botão CLOCK.

COZINHA EXPRESSA

Utilize esta funcionalidade para programar convenientemente o forno para alimentos de microondas a 100% de potência. No modo de espera, basta premir repetidamente o botão START/QUICK START para definir o tempo de cozedura (cada pressão para aumentar 30 segundos, e até 10 minutos), o forno começa a funcionar automaticamente na potência máxima.

COZIMENTO COM MICROONDAS

1. Em modo de espera, premir repetidamente o botão POWER para seleccionar o nível de potência.
2. Rodar MENU/TIME no sentido dos ponteiros do relógio para definir o tempo de cozedura. O tempo mais longo é de 95 minutos.
3. Prima o botão START/QUICK START para confirmar.

Prima o botão POWER para seleccionar o nível de potência:

Pressione o botão POWER	Energia (visor)	Pressione o botão POWER	Energia (visor)
Uma vez	100% (100)	7 tempos	40 (11)
Duas vezes	90% (90)	8 tempos	30% (30)
3 tempos	80% (80)	9 tempos	20% (20)
4 tempos	70% (70)	10 tempos	10 (10)
5 tempos	60% (60)	11 tempos	0% (00)
6 tempos	50% (50)		

NOTA: Durante a cozedura, é possível verificar o nível de potência de cozedura premindo o botão POWER.

DESCONGELAMENTO TEMPORAL

1. Em modo de espera, premir uma vez o botão AUTO DEFROST.
2. Rodar MENU/TIME para definir o tempo de descongelamento. O tempo mais longo é de 95 minutos.
3. Prima o botão START/QUICK START para confirmar.

NOTA: Durante a descongelação, o sistema fará uma pausa e som para lembrar o utilizador de virar os alimentos, e depois premir o botão START/QUICK START para retomar.

DESCONGELAMENTO DO PESO

O tempo de descongelação e o nível de potência são automaticamente definidos assim que o peso dos alimentos é programado. O peso dos alimentos congelados varia de 100 g a 1800 g.

1. Em modo de espera, premir duas vezes o botão AUTO DEFROST.
2. Prima repetidamente o botão WEIGHT ADJUST para seleccionar o peso dos alimentos.
3. Prima o botão START/QUICK START para confirmar.

NOTA: Durante a descongelação, o sistema fará uma pausa e soará para lembrar o utilizador de transformar os alimentos e depois prima o botão START/QUICK START para retomar.

GRILL

A cozedura em grelha é particularmente útil para fatias finas de carne, bifes, costeletas, espetadas, salsichas e pedaços de frango. É também adequado para sanduíches quentes e pratos gratinados

1. Em modo de espera, premir uma vez o botão GRILL.
2. Rodar o botão MENU/TIME para definir o tempo de cozedura. O tempo mais longo é de 95 minutos.
3. Prima o botão START/QUICK START para confirmar.

COMBINAÇÃO

O grelhador funciona mais tempo do que o microondas em combinação 1 modo de cozedura, utilização para peixe e gratinado. Mas o microondas funciona mais tempo que o grelhador em combinação 2 modo de cozedura, utilização para pudim, omeletes, batatas assadas e aves de capoeira.

1. Em modo de espera, premir uma ou duas vezes o botão COMBINATION para seleccionar "Co-1" ou "Co-2".
2. Rodar o botão MENU/TIME para definir o tempo de cozedura. O tempo mais longo é de 95 minutos.
3. Prima o botão START/QUICK START para confirmar.

AUTO LIMPO

Colocar uma taça de 300 g de água no forno e fechar a porta.

4. No modo de espera, rodar MENU/TIME uma vez no sentido anti-horário, e depois rodar o mostrador até o mostrador mostrar "CLE" e "AUTO".
5. Prima o botão WEIGHT ADJUST uma vez.
6. Prima o botão START/QUICK START para começar.

NOTA: O tempo de limpeza é de 10 minutos.

BLOQUEIO PARA CRIANÇAS

Utilização para evitar o funcionamento não supervisionado do forno por crianças.

Para entrar na fechadura à prova de crianças: Em modo de espera, se não houver qualquer operação dentro de um minuto, o forno entrará automaticamente no modo de bloqueio de crianças e a luz indicadora de bloqueio acender-se-á. No estado de bloqueio, todos os botões estão desactivados.

Para cancelar: No modo de fechadura para crianças, abrir ou fechar a porta do forno para cancelar o programa e a luz indicadora de fechadura apagar-se-á.

COZINHEIRO AUTOMÁTICO

Para os seguintes alimentos ou modo de cozedura, não é necessário programar o tempo e a potência de cozedura. É suficiente indicar o tipo de comida que se quer cozinhar, bem como o peso ou porções desta comida.

1. Em modo de espera, rodar MENU/TIME no sentido contrário ao dos ponteiros do relógio para seleccionar o código alimentar.
2. Premir repetidamente o botão WEIGHT ADJUST para seleccionar o peso dos alimentos ou porções.
3. Prima o botão START/QUICK START para confirmar.

Menus de cozinha automática:

Código	Alimentos	Peso/ Quantidade	Observação
A-01	Leite/Café/Tea (200 ml/copo)	1 chávena	A exposição mostrará o número de porções em vez do peso dos alimentos
		2 chávenas	
		3 chávenas	
A-02	Esparguete	100 g	
		200 g	
		300 g	
A-03	Batata	100 g	
		200 g	
		300 g	
A-04	Reaquecer Auto	200 g	
		300 g	
		400 g	
		500 g	
		600 g	
		700 g	
		800 g	
A-05	Peixe	200 g	
		300 g	
		400 g	
		500 g	
		600 g	
A-06	Pipocas	100 g	
A-07	Frango	800 g	Durante a cozedura o forno irá parar para lembrar o utilizador de virar os alimentos, depois disso prima o botão START/QUICK START para retomar
		900 g	
		1000 g	
		1100 g	
		1200 g	

Código	Alimentos	Peso/ Quantidade	Observação
A-08	Carne de vaca/Mutton	200 g	
		300 g	
		400 g	
		500 g	
		600 g	
A-09	Carne Espetada	100 g	Durante a cozedura o forno irá parar para lembrar o utilizador de virar os alimentos, depois disso prima o botão START/QUICK START para retomar
		200 g	
		300 g	
		400 g	
		500 g	
A-10	Sopa	200 g	
		400 g	
		600 g	
A-11	Papas	50 g	
		100 g	
		150 g	
A-12	produto hortícola no estado natural	200 g	
		300 g	
		400 g	
		500 g	
		600 g	
A-13	Vegetais congelados	200 g	
		300 g	
		400 g	
		500 g	
		600 g	
A-14	Arroz	150 g	
		300 g	
		450 g	
		600 g	
A-15	Pizza	150 g	
		300 g	
		450 g	
A-16	Peixe Grelhado	200 g	Durante a cozedura o forno irá parar para
		300 g	

Código	Alimentos	Peso/ Quantidade	Observação
		400 g	lembrar o utilizador de virar os alimentos, depois disso prima o botão START/QUICK START para retomar
		500 g	
		600 g	
A-17	Bacon grelhado	100 g	
		200 g	
		300 g	
A-18	Enchidos	100 g	Durante a cozedura o forno irá parar para lembrar o utilizador de virar os alimentos, depois disso prima o botão START/QUICK START para retomar
		200 g	
		300 g	
		400 g	
		500 g	
A-19	Autoclean/(performance seria a gota de água cheia do interior da cavidade)		

O resultado da cozedura automática depende de factores tais como a forma e o tamanho dos alimentos, as suas preferências pessoais quanto à doçura de certos alimentos e mesmo o quão bem se colocam os alimentos no forno. Se o resultado não for satisfatório, por favor ajuste o tempo de cozedura um pouco em conformidade.

LIMPEZA E MANUTENÇÃO

1. Desligue o forno e desligue o cabo de alimentação da parede ao limpar.
2. Manter o interior do forno limpo. Quando salpicos de comida ou líquidos derramados aderem às paredes do forno, limpe com um pano húmido. Podem ser utilizados detergentes suaves se o forno ficar muito sujo. Evitar o uso de spray ou outros produtos de limpeza agressivos. Podem manchar, riscar ou entorpecer a superfície da porta.
3. O exterior do forno deve ser limpo com um pano húmido. Para evitar danos nas partes operacionais no interior do forno, não se deve permitir a infiltração de água nas aberturas de ventilação.
4. Limpar a porta e a janela de ambos os lados, as juntas da porta e as partes adjacentes frequentemente com um pano húmido para remover quaisquer derrames ou salpicos. Não utilizar produto de limpeza abrasivo.
5. Não é utilizado um aparelho de limpeza a vapor.

6. Não permitir que o painel de controlo fique molhado. Limpe com um pano macio e úmido. Ao limpar o painel de controlo, deixar a porta do forno aberta para evitar que o forno se ligue acidentalmente.
7. Se o vapor se acumular dentro ou à volta da porta do forno, limpe com um pano macio. Isto pode ocorrer quando o forno de microondas é operado sob condições de humidade elevada. E é normal.
8. É ocasionalmente necessário retirar o tabuleiro de vidro para limpeza. Lavar o tabuleiro em água quente com gás ou numa máquina de lavar louça.
9. O anel de roletes e o chão do forno devem ser limpos regularmente para evitar ruídos excessivos. Limpar simplesmente a superfície inferior do forno com detergente suave. O anel de rolo pode ser lavado em água suave, com sabão ou numa máquina de lavar louça. Ao remover o anel de rolete, certifique-se de que o substitui na posição correcta.
10. Retire os odores do seu forno combinando uma chávena de água com o sumo e a pele de um limão numa tigela que pode ser colocada no microondas. Microondas durante 5 minutos. Limpar bem e secar com um pano macio.
11. Se a lâmpada se queimar, contactar o serviço ao cliente para que seja substituída.
12. O forno deve ser limpo regularmente e todos os resíduos de alimentos devem ser removidos. A não manutenção do forno num estado limpo poderia levar à deterioração da superfície que poderia afectar negativamente a vida útil da unidade e poderia possivelmente resultar numa situação perigosa.
13. Por favor, não deitar este aparelho no caixote do lixo doméstico; ele deve ser deitado no centro de eliminação específico fornecido pelos municípios.
14. Quando o forno microondas com função de grelhador é utilizado pela primeira vez, pode produzir fumo e cheiro ligeiro. Este é um fenómeno normal, porque o forno é feito de uma placa de aço revestida com óleo lubrificante, e o novo forno produzirá fumos e odores gerados pela queima do óleo lubrificante. Este fenómeno desaparecerá após um período de utilização.

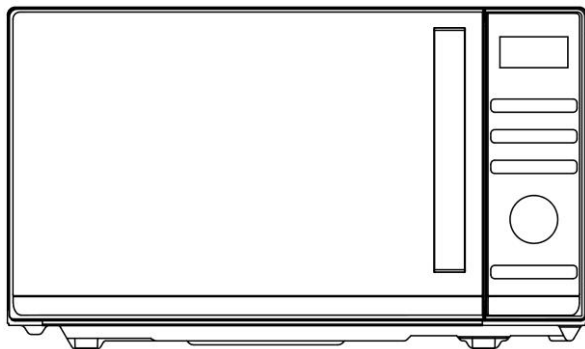


Este aparelho está rotulado em conformidade com a Diretiva Europeia 2012/19/UE relativa aos resíduos de equipamentos elétricos e eletrónicos (REEE) 2013 em relação aos aparelhos elétricos e eletrónicos. Os REEE contêm substâncias poluentes (que podem ter um efeito negativo sobre o meio ambiente) e elementos base (que podem ser reutilizados). É importante que os REEE sejam submetidos a tratamentos específicos para remover e eliminar os poluentes e recuperar todos os materiais. As pessoas podem desempenhar um papel importante para garantir que os REEE não representem um problema ambiental; é essencial que sejam cumpridas algumas normas básicas:

- Os REEE não devem ser tratados como lixo doméstico;
- Os REEE devem ser levados para áreas de recolha dedicadas administradas pelo município ou por uma empresa registada.

Em muitos países, as recolhas domésticas podem estar disponíveis para grandes REEEs. Quando compra um aparelho novo, o antigo pode ser devolvido ao revendedor, que deve aceitar tratar da recolha gratuitamente, desde que o equipamento seja de um tipo equivalente e tenha as mesmas funções do equipamento fornecido.

Návod k mikrovlnnej rúre



Model: CMGA25TNDB

Pred inštaláciou a obsluhou rúry si pozorne prečítajte tento návod.

OBSAH

NASTAVENIE ČASU HODÍN	11
EXPRESNÉ VARENIE	11
MIKROVLNNÁ PRÍPRAVA JEDLA	11
ČASOVÉ ROZMRAZOVANIE	12
ODMRAZOVANIE HMOTNOSTI	12
GRIL	12
KOMBINOVANÉ VARENIE	13
DETSKÁ POISTKA	13
AUTOMATICKÉ VARENIE	13

OPATRENIA NA ZABRÁNENIE MOŽNÉMU VYSTAVENIU NADMERNEJ MIKROVLNNEJ ENERGII

1. Nepokúšajte sa používať túto rúru s otvorenými dvierkami, pretože prevádzka s otvorenými dvierkami môže mať za následok škodlivé vystavenie mikrovlnnej energii. Je dôležité, aby ste nepoškodili bezpečnostné zámky ani s nimi nemanipulovali.
2. Medzi čelnú plochu rúry a dvierka neumiestňujte žiadne predmety, ani nedovoľte, aby sa na tesniacich plochách nahromadila špina alebo zvyšky čistiaceho prostriedku.
3. Ak je rúra poškodená, nepoužívajte ju. Je veľmi dôležité, aby sa dvierka rúry riadne zatvorili a aby nedošlo k poškodeniu
 - a) Dvierka (vrátane akýchkoľvek ohnutých),
 - b) Závesy a západky (zlomené alebo uvoľnené),
 - c) Tesnenia dvierok a tesniacie plochy.
4. Rúra by mal nastavovať a opravovať len kvalifikovaný servisný personál.

DÔLEŽITÉ BEZPEČNOSTNÉ POKyny

Pri používaní elektrického spotrebiča sa majú dodržiavať základné bezpečnostné opatrenia vrátane:

UPOZORNENIE! Na zníženie rizika popálenín, úrazu elektrickým prúdom, požiaru, zranenia osôb alebo vystavenia nadmernej mikrovlnnej energii:

1. Pred použitím spotrebiča si prečítajte celý návod a uschovajte ho na budúce použitie.
2. Tento spotrebič používajte len na zamýšľané použitie, ako je opísané v návode. Na tento spotrebič nepoužívajte korozívne chemikálie ani výpary. Tento typ rúry je špeciálne navrhnutý na ohrev, varenie alebo sušenie potravín. Nie je určený na priemyselné alebo laboratórne použitie.
3. Ak je rúra prázdna, nepoužívajte ju.
4. Nepoužívajte tento spotrebič, ak má poškodený kábel alebo zástrčku, ak nefunguje správne, alebo ak bol poškodený alebo spadol. Ak došlo k poškodeniu napájacieho kábla, musí ho vymeniť výrobca, jeho servisný zástupca alebo podobne spôsobilá osoba, aby nedošlo k nebezpečenstvu.
5. **UPOZORNENIE!** Deti môžu používať rúru bez dozoru len vtedy, ak im boli poskytnuté primerané pokyny na to, aby mohli používať rúru bezpečným spôsobom a pochopili nebezpečenstvo spojené s nesprávnym použitím.

6. **UPOZORNENIE!** Keď je spotrebič v kombinovanom režime, deti by vzhľadom na generované teploty mali používať rúru len pod dohľadom dospelých.
7. Aby sa znížilo riziko požiaru vo vnútri rúry:
 - Pri ohrievaní potravín v plastových alebo papierových nádobách sledujte rúru kvôli možnosti vznietenia.
 - Pred vložení vrecka do rúry odstráňte drôtené spony z papierových alebo plastových vreciek.
 - Ak spozorujete dym, vypnite alebo odpojte spotrebič a nechajte dvierka zatvorené, aby ste udusili všetok plameň.
 - Nepoužívajte vnútro rúry na skladovacie účely. Ak sa nepoužíva, nenechávajte vo vnútri papierové výrobky, kuchynské potreby ani jedlo.
 - Mikrovlnná rúra je určená na ohrev jedál a nápojov. Sušenie odevov a zahrievanie ohrievacích podložiek, papúč, špongií, vlhkej handričky a podobných výrobkov môže spôsobiť riziko poranenia, vznietenia alebo požiaru.
8. **UPOZORNENIE!** Kvapalná alebo iné potraviny sa nesmú zahrievať v uzavretých nádobách, pretože by mohli vybuchnúť.
9. Ohrievanie nápoja mikrovlnnou rúrou môže viesť k oneskorenému erupčivému varu, preto sa pri manipulácii s nádobou musí postupovať opatrne.
10. Nesmažte jedlo v rúre. Horúci olej môže poškodiť časti rúry a príslušenstvo a dokonca spôsobiť popáleniny pokožky.
11. Vajcia v škrupine a celé vajcia varené na tvrdo by sa nemali zahrievať v mikrovlnných rúrach, pretože môžu vybuchnúť aj po ukončení zahrievania v mikrovlnnej rúre.
12. Potraviny s hrubou kožou, ako sú zemiaky, celé tekvice, jablká a gaštany, pred varením prepichnete.
13. Obsah krmných fliaš a detských pohárov by sa mal miešať alebo pretrepávať a pred podaním by sa mala skontrolovať teplota, aby sa zabránilo popáleninám.
14. Kuchynské nádoby sa môžu zohriať v dôsledku tepla prenášaného z ohrievaných potravín. Na manipuláciu s nádobami môžu byť potrebné kuchynské chňapky.
15. Nádoby by sa mali skontrolovať, aby sa zabezpečilo, že sú vhodné na použitie v mikrovlnnej rúre.
16. **UPOZORNENIE!** Je nebezpečné, aby akúkoľvek servisnú alebo opravnú operáciu, ktorá zahŕňa odstránenie akéhokoľvek krytu, ktorý poskytuje ochranu pred vystavením mikrovlnnej energii, vykonala osoba, ktorá nie je vyškolená.
17. Táto mikrovlnná rúra je v súlade s normou EN 55011/CISPR 11, v tejto norme patrí do triedy B skupiny 2. Zariadenie skupiny 2: skupina 2 obsahuje všetky rádiové frekvenčné zariadenia ISM, v ktorých sa úmyselne vyrába a používa rádiové frekvenčná energia vo frekvenčnom rozsahu 9 kHz až 400 GHz alebo sa používa len lokálne vo forme elektromagnetického žiarenia, indukčného a/alebo kapacitného spojenia na úpravu materiálu, na účely inšpekcie/analýzy alebo na prenos elektromagnetickej energie. Zariadenie triedy B je zariadenie vhodné na používanie na miestach v obytných prostrediach a v zariadeniach priamo pripojených k sieti nízkonapäťového napájania, ktorou sú napájané budovy používané na bývanie.
18. Tento spotrebič nie je určený na použitie osobami (vrátane detí) so zníženými fyzickými, zmyslovými či duševnými schopnosťami, alebo osobami bez žiadnej znalosti, pokiaľ nie sú pod dozorom alebo neboli vopred poučené o používaní spotrebiča osobou zodpovednou za ich bezpečnosť.

19. Deti by mali byť pod dozorom, aby sa zaistilo, že sa nebudú hrať so zariadením.
20. Mikrovlnná rúra sa používa len ako voľne stojaca.
21. **UPOZORNENIE!** Neinštalujte rúru nad hornú časť varnej dosky alebo iný tepelný spotrebič. Ak by ste ju tam inštalovali, mohlo by dôjsť k poškodeniu a záruka by sa ukončila.
22. Mikrovlnná rúra sa nesmie umiestniť do skrine.
23. Dvere alebo vonkajší povrch sa môžu zohriať, keď je spotrebič v prevádzke.
24. **UPOZORNENIE!** Prístupné časti sa môžu počas používania zohriať. Malé deti by mali byť mimo dosahu.
25. Spotrebič sa pri používaní zahrieva na vysokú teplotu. Dávajte pozor, aby ste sa nedotkli vyhrievacích prvkov platničky a na pečenie vo vnútri rúry.
26. Teplota prístupných povrchov môže byť počas prevádzky spotrebiča vysoká.
27. Spotrebič nesmú používať deti alebo osoby so zníženými fyzickými, zmyslovými alebo mentálnymi schopnosťami alebo nedostatkom skúseností a znalostí, pokiaľ nie sú pod dozorom alebo boli poučení.
28. **UPOZORNENIE!** Ak sú dvierka alebo tesnenia dvierok poškodené, rúra nesmie byť v prevádzke, kým ju neopraví kompetentná osoba.
29. Spotrebiče nie sú určené na obsluhu pomocou externého časovača alebo samostatného systému diaľkového ovládania.
30. Mikrovlnná rúra je určená len na použitie v domácnosti a nie na komerčné účely.
31. Nikdy neodstraňujte dištančnú lištu vzadu alebo po stranách, pretože zabezpečuje minimálnu vzdialenosť od steny pre cirkuláciu vzduchu.
32. Pred presunom spotrebiča zaistíte otočný tanier, aby nedošlo k poškodeniu.
33. **UPOZORNENIE!** Je nebezpečné, ak spotrebič opravuje alebo servisuje osoba, ktorá nie je špecialistom, pretože za týchto okolností je potrebné odstrániť kryt, ktorý zabezpečuje ochranu pred mikrovlnným žiarením. Platí to aj pre výmenu napájacieho kábla alebo osvetlenia. V týchto prípadoch pošlite spotrebič do nášho servisného strediska.
34. Mikrovlnná rúra je určená len na rozmrazovanie potravín, ich varenie a varenie v pare.
35. Ak vyberáte akékoľvek zohriate jedlo, použite rukavice.
36. Pozor! Pri otváraní viečok alebo baliacej fólie uniká para.
37. Tento spotrebič môžu používať deti staršie než 8 rokov a osoby so zníženými telesnými, zmyslovými alebo duševnými schopnosťami alebo s nedostatkom skúseností a znalostí, len ak sú pod dozorom alebo dostali pokyny o používaní spotrebiča bezpečným spôsobom a ak chápu nebezpečenstvá s ním súvisiace. Deti sa nesmú hrať so spotrebičom. Čistenie a údržbu používateľa nesmú vykonávať deti, pokiaľ nie sú staršie ako 8 rokov a nie sú pod dohľadom.
38. Ak sa tvorí dym, vypnite alebo odpojte spotrebič a nechajte dvierka zatvorené, aby ste udusili prípadný plameň.

NÁVOD NA INŠTALÁCIU

1. Uistite sa, či sú zvnútra rúry odstránené všetky obalové materiály.
2. **UPOZORNENIE!** Skontrolujte, či rúra nie je poškodená, ako sú nesprávne zarovnané alebo ohnuté dvierka, poškodené tesnenia dvierok a tesniaci povrch, poškodené alebo uvoľnené závesy dvierok a zámky a zuby vo vnútri rúry alebo na dvierkach. Ak dôjde k poškodeniu, rúru nepoužívajte a kontaktujte kvalifikovaný servisný personál.
3. Táto mikrovlnná rúra sa musí umiestniť na rovný, stabilný povrch, ktorý udrží jej hmotnosť a najťažšie jedlo, ktoré sa pravdepodobne bude pripravovať v rúre.
4. Neumiestňujte rúru tam, kde vzniká teplo, vlhko alebo vysoká vlhkosť, alebo v blízkosti horľavých materiálov.
5. Pre správnu prevádzku musí mať rúra dostatočný prietok vzduchu. Ponechajte minimálne 20 cm voľného priestoru nad horným povrchom rúry a 5 cm na oboch stranách. Zadný plech mikrovlnnej rúry musí byť umiestnený blízko steny. Nezakrývajte ani neblokujte žiadne otvory na spotrebiči. Neodstraňujte nožičky.
6. Nepoužívajte rúru bez skleneného taniera, valčekového prstenca a hriadeľa v ich správnej polohe.
7. Uistite sa, či napájací kábel nie je poškodený a či neprechádza pod rúrou ani cez horúci alebo ostrý povrch.
8. Zásuvka musí byť dobre prístupná, aby bolo možné spotrebič, v prípade nebezpečenstva, ľahko odpojiť od siete.
9. Nepoužívajte rúru vonku.

POKYNY NA UZEMNENIE

Tento spotrebič musí byť uzemnený. Táto rúra je vybavená káblom, ktorý má uzemňovací vodič s uzemňovacou zástrčkou. Musí byť zapojený do takej zásuvky, ktorá je správne nainštalovaná a uzemnená. V prípade elektrického skratu uzemnenie znižuje riziko úrazu elektrickým prúdom tým, že poskytuje elektrickému prúdu únikový vodič. Odporúča sa, aby bol k dispozícii samostatný okruh slúžiaci len pre rúru. Použitie vysokého napätia je nebezpečné a môže mať za následok požiar alebo inú nehodu spôsobujúcu poškodenie rúry.

UPOZORNENIE! Nesprávne používanie uzemňovacej zástrčky môže spôsobiť riziko úrazu elektrickým prúdom. Poznámka:

1. Ak máte akékoľvek otázky týkajúce sa uzemnenia alebo elektrických pokynov, poraďte sa s kvalifikovaným elektrikárom alebo servisným technikom.
 2. Výrobca ani predajca nemôžu prevziať žiadnu zodpovednosť za poškodenie rúry alebo zranenie osôb v dôsledku nedodržania postupov elektrického pripojenia.
- Drôty v tomto káblovom vedení sú sfarbené v súlade s nasledujúcim kódom:

Zelená a žltá = UZEMNENIE

Modrá = NEUTRÁL

Hnedá = FÁZA

RÁDIOVÉ RUŠENIE

Prevádzka mikrovlnnej rúry môže spôsobiť rušenie rádiového, televízneho alebo podobného zariadenia. Ak dôjde k rušeniu, môže sa znížiť alebo eliminovať nasledovnými opatreniami:

1. Vyčistite dvierka a tesniaci povrch rúry.
2. Presmerujte prijímaciu anténu rádia alebo televízie.
3. Mikrovlnnú rúru premiestnite s ohľadom na prijímač.
4. Presuňte mikrovlnnú rúru od prijímača.
5. Zapojte mikrovlnnú rúru do inej zásuvky tak, aby boli mikrovlnná rúra a prijímač pripojené k rôznym vetvám obvodu.

PRED VYŽIADANÍM SLUŽBY

Pred vyžiadaním servisu skontrolujte každú položku nižšie:

- Skontrolujte, či je rúra bezpečne zapojená. Ak nie, vyťahnite zástrčku zo zásuvky, počkajte 10 sekúnd a znovu ju bezpečne zapojte.
- Skontrolujte, či nie je spálená poistka obvodu alebo vypnutý hlavný istič. Ak sa zdá, že tieto zariadenia fungujú správne, otestujte zásuvku iným spotrebičom.
- Skontrolujte, či je ovládací panel správne naprogramovaný a časovač je nastavený.
- Skontrolujte, či sú dvierka bezpečne zatvorené s použitím systému zámku dvierok. Ak dvierka nie sú správne zatvorené, vo vnútri nebude prúdiť mikrovlnná energia.

AK ŽIADNE Z VYŠŠIE UVEDENÝCH OPATRENÍ NEVYRIEŠI PROBLÉM, KONTAKTUJTE KVALIFIKOVANÉHO TECHNIKA. NEPOKÚŠAJTE SA RÚRU NASTAVIŤ ANI OPRAVIŤ SAMI.

TECHNIKY VARENIA

1. Opatrne pripravte potraviny. Najhrubšie miesta umiestnite smerom von z taniera.
2. Sledujte čas prípravy jedla. Varte čo najkratšie a podľa potreby ho predĺžte. Silne prehriate jedlo môže dymiť alebo sa môže vznietiť.
3. Počas varenia zakryte potraviny. Kryty zabraňujú rozstreknutiu a pomáhajú rovnomernému vareniu potravín.
4. Počas mikrovlnnej prípravy jedla jedenkrát otočte jedlo, aby ste urýchlili varenie takých potravín, ako sú kurča a hamburgery. Veľké kusy, ako sú pečenky, sa musia otočiť aspoň raz.
5. Jedlo ako mäsové guľky uprostred varenia premiešajte tak, aby sa guľky zdola dostali nahor a guľky zo stredu taniera na okraj.

SPRIEVODCA KUCHYNSKÝM NÁČINÍM

1. Mikrovlny nemôžu preniknúť cez kov. Používajte len také nádoby, ktoré sú vhodné na použitie v mikrovlnných rúrach. Kovové nádoby na potraviny a nápoje nie sú počas mikrovlnnej prípravy jedla povolené. Táto požiadavka sa neuplatňuje, ak výrobca špecifikuje veľkosť a tvar kovových nádob vhodných na mikrovlnnú prípravu jedla.
2. Mikrovlny nemôžu preniknúť cez kov, preto by sa nemali používať kovové nádoby alebo riady s kovovým lemovaním.
3. Výrobky z recyklovaného papiera nepoužívajte pri mikrovlnnej príprave jedla, pretože môžu obsahovať malé kovové úlomky, ktoré môžu spôsobiť iskry a/alebo požiare.
4. Odporúčame zvoliť radšej okrúhle alebo oválne nádoby, pretože v obdĺžnikových a štvorcových sa môže jedlo v rohoch prehrievať.
5. Na zabránenie prehriatia exponovaných plôch sa môžu použiť úzke pásy hliníkovej fólie. Ale buďte opatrní, nepoužívajte jej príliš veľa a udržiavajte vzdialenosť 2,54 cm medzi fóliou a stenou vnútra.

Zoznam uvedený nižšie je všeobecným sprievodcom, ktorý vám pomôže vybrať správne nádoby.

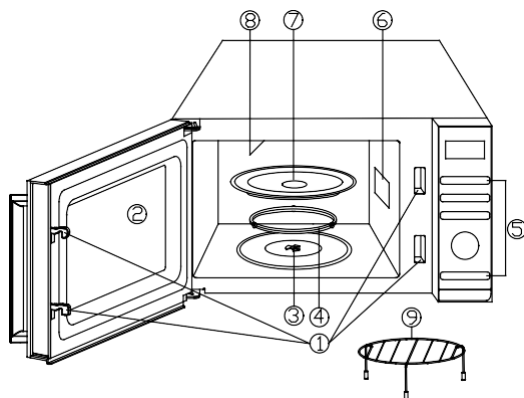
RIAD	MIKROVLNA	GRIL	KOMBINOVANÉ VARENIE
Tepelne odolné sklo	Áno	Áno	Áno
Sklo, ktoré nie je odolné voči teplu	Nie	Nie	Nie
Keramika odolná voči teplu	Áno	Áno	Áno
Plastový riad bezpečný pre mikrovlnnú rúru	Áno	Nie	Nie
Kuchynský papier	Áno	Nie	Nie
Kovový tanier	Nie	Áno	Nie
Kovový stojan	Nie	Áno	Nie
Hliníkové fólie a fóliové obaly	Nie	Áno	Nie

ŠPECIFIKÁCIE

Príkon:	230-240 V/50 Hz, 1400 W (mikrovlnná rúra) 1000 W (gril)
Menovitý výkon mikrovlnnej rúry:	900 W
Prevádzková frekvencia:	2450 MHz
Vonkajšie rozmery:	281 mm (V) × 483 mm (Š) × 420 mm (H)
Rozmery vnútra rúry:	220 mm (V) × 340 mm (Š) × 344 mm (H)
Objem rúry:	25 litrov
Čistá hmotnosť:	Približne 14,1 kg

DIAGRAM PRODUKTU

1. Systém bezpečnostného zámku dverok
2. Okienko rúry
3. Hriadeľ
4. Valčekový prstenec
5. Ovládací panel
6. Sprievodca vlnami (Neodstraňujte sľudovú dosku pokrývajúcu vlnovod)
7. Sklenený tanier
8. Ohrievač grilu
9. Kovový stojan



OVLÁDACÍ PANEĽ



● AKČNÁ OBRAZOVKA MENU

Zobrazujú sa ukazovatele času varenia, výkonu a činnosti.

● POWER

Stlačením nastavíte úroveň výkonu mikrovlnnej prípravy jedla.

● NASTAVENIE VÁHY

Stlačením tlačidla nastavíte hmotnosť potravín alebo porcií.

● GRIL

Stlačte pre nastavenie programu prípravy jedla grilom.

● KOMBINÁCIA

Stlačením nastavíte kombinovaný program.

● AUTOMATICKÉ ROZMRAZOVANIE

Stlačením jedného tlačidla rozmrazíte potraviny podľa času. Stlačte dvakrát, aby ste rozmrazili potraviny podľa hmotnosti.

● CLOCK

Stlačte pre nastavenie času hodín.

● MENU/ČAS (vytáčanie)

Otočením ovládača nastavte čas. Otáčaním voliča vyberte ponuku automatického varenia.

● PAUZA/ZRUŠENIE Cancel


Jedným stlačením dočasne ukončíte prípravu jedla alebo dvoma stlačeniami úplne zrušíte prípravu jedla.

● ŠTART/RÝCHLY ŠTART Quick Start

Stlačením spustíte programy varenia a rozmrazovania.

Jednoducho ho niekoľkokrát stlačte, aby ste nastavili čas prípravy jedla a okamžite ho uvarili pri plnom výkone.

NÁVOD NA OBSLUHU

- Pri prvom zapojení rúry zaznie zvukový signál a na displeji sa zobrazí "1:01", .
- Počas nastavovania prerušeného na asi 25 sekúnd sa rúra vráti do pohotovostného režimu.
- Ak počas varenia raz stlačíte tlačidlo PAUSE/CANCEL, program sa pozastaví, potom stlačením tlačidla START/QUICK START pokračujte. Ak však dvakrát stlačíte tlačidlo PAUSE/CANCEL, program sa zruší.
- Po skončení varenia sa na displeji zobrazí End a každé dve minúty zaznie zvukový signál, kým používateľ nestlačí tlačidlo PAUSE/CANCEL alebo neotvorí dverka.
- Ak počas prevádzky stlačíte platné tlačidlo, bzučiak zazvoní raz, ale ak stlačíte neplatné tlačidlo, bzučiak zazvoní dvakrát.

NASTAVENIE ČASU HODÍN

Ide o 12- a 24-hodinové hodiny, stlačením tlačidla CLOCK v pohotovostnom režime môžete nastaviť čas hodín v 12- alebo 24-hodinovom cykle.

1. V pohotovostnom režime opakovaným stláčaním tlačidla CLOCK vyberte 12-hodinové alebo 24-hodinové hodiny.
2. Otáčaním voliča MENU/ČAS nastavte číslicu hodiny.
3. Stlačte raz tlačidlo CLOCK.
4. Otáčaním voliča MENU/ČAS nastavte číslicu minúty.
5. Stlačte tlačidlo CLOCK jedenkrát na potvrdenie.

POZNÁMKA: Počas varenia môžete skontrolovať aktuálny čas stlačením tlačidla CLOCK.

EXPRESNÉ VARENIE

Túto funkciu použite na pohodlné naprogramovanie rúry na mikrovlnné ohrievanie jedla pri 100 % výkone. V pohotovostnom režime stačí opakovane stlačiť tlačidlo START/QUICK START a nastaviť čas pečenia (každé stlačenie zvýši čas pečenia o 30 sekúnd a až o 10 minút), rúra začne automaticky pracovať na plný výkon.

MIKROVLNNÁ PRÍPRAVA JEDLA

1. V pohotovostnom režime opakovaným stláčaním tlačidla POWER vyberte úroveň výkonu.
2. Otáčaním voliča MENU/TIME v smere hodinových ručičiek nastavte čas varenia. Najdlhší čas je 95 minút.
3. Potvrďte stlačením tlačidla ŠTART/RÝCHLY ŠTART.

Stlačením tlačidla POWER vyberte úroveň výkonu:

Stlačte tlačidlo POWER	Výkon (displej)	Stlačte tlačidlo POWER	Výkon (displej)
Raz	100 % (100)	7-krát	40 % (40)
Dvakrát	90 % (90)	8-krát	30 % (30)
3-krát	80 % (80)	9-krát	20 % (20)
4-krát	70 % (70)	10-krát	10 % (10)
5-krát	60 % (60)	11-krát	0 % (00)
6-krát	50 % (50)		

POZNÁMKA: Počas varenia môžete skontrolovať úroveň výkonu varenia stlačením tlačidla POWER.

ČASOVÉ ROZMRAZOVANIE

1. V pohotovostnom režime stlačte raz tlačidlo AUTO DEFROST.
2. Otočením voliča MENU/ČAS nastavte čas rozmrazovania. Najdlhší čas je 95 minút.
3. Potvrďte stlačením tlačidla ŠTART/RÝCHLY ŠTART.

POZNÁMKA: Počas programu rozmrazovania sa systém zastaví a zaznie zvukový signál, aby používateľovi pripomenul, že má potraviny otočiť, a potom stlačte tlačidlo ŠTART/RÝCHLY ŠTART, aby ste pokračovali.

ODMRAZOVANIE HMOTNOSTI

Čas rozmrazovania a úroveň výkonu sa nastaví automaticky po naprogramovaní hmotnosti potravín. Hmotnosť mrazených potravín sa pohybuje od 100 g do 1800 g.

1. V pohotovostnom režime dvakrát stlačte tlačidlo AUTO DEFROST.
2. Opakovaným stláčaním tlačidla WEIGHT ADJUST vyberte hmotnosť potraviny.
3. Potvrďte stlačením tlačidla ŠTART/RÝCHLY ŠTART.

POZNÁMKA: Počas rozmrazovania sa systém pozastaví a zvukovým signálom pripomenie používateľovi, aby potraviny otočil a potom stlačením tlačidla START/QUICK START pokračovať.

GRIL

Grilovanie je zvlášť vhodné pre tenké plátky mäsa, bifteky, rezne, kebaby, údeniny a kúsky kuraťa. Je vhodné aj na teplé sendviče a gratinované jedlá.

1. V pohotovostnom režime stlačte raz tlačidlo GRIL.
2. Otočením voliča MENU/ČAS nastavte čas varenia. Najdlhší čas je 95 minút.
3. Potvrďte stlačením tlačidla ŠTART/RÝCHLY ŠTART.

KOMBINOVANÉ VARENIE

Gril funguje dlhšie ako mikrovlnná rúra v režime prípravy jedla kombinované varenie 1, použite na ryby a gratinovanie. Mikrovlnná rúra však funguje dlhšie ako gril v režime prípravy jedla kombinované varenie 2, použite na puding, omelety, pečené zemiaky a hydinu.

1. V pohotovostnom režime stlačte tlačidlo COMBINATION raz alebo dvakrát, aby ste vybrali "Co-1" alebo "Co-2".
2. Otočením voliča MENU/ČAS nastavte čas varenia. Najdlhší čas je 95 minút.
3. Potvrďte stlačením tlačidla ŠTART/RÝCHLY ŠTART.

AUTOMATICKÉ ČISTENIE

Do rúry vložte misku s 300 g vody a zatvorte dverka.

4. V pohotovostnom režime otočte raz volič MENU/TIME proti smeru hodinových ručičiek a potom otáčajte voličom, kým sa na displeji nezobrazí „CLE“ a „AUTO“.
5. Stlačte raz tlačidlo WEIGHT ADJUST.
6. Stlačte tlačidlo START/QUICK START na spustenie.

POZNÁMKA: Čas čistenia je 10 minút.

DETSKÁ POISTKA

Používajte, aby ste zabránili deťom obsluhovať rúru bez dozoru.

Zadanie detskej poistky: V pohotovostnom režime, ak sa do jednej minúty nevykoná žiadna činnosť, rúra automaticky prejde do režimu detskej poistky a rozsvieti sa kontrolka poistky. V stave detskej poistky sú všetky tlačidlá deaktivované.

Zrušenie: V režime detskej poistky otvorte alebo zatvorte dverka rúry, aby ste zrušili program a kontrolka poistky zhasne.

AUTOMATICKÉ VARENIE

Pre nasledujúce jedlo alebo režim varenia nie je potrebné programovať čas a výkon varenia. Stačí uviesť druh jedla, ktoré chcete variť, ako aj hmotnosť alebo porcie jedla.

1. V pohotovostnom režime otáčaním voliča MENU/TIME proti smeru hodinových ručičiek vyberte kód jedla.
2. Opakovaným stláčaním tlačidla WEIGHT ADJUST vyberte hmotnosť potravín alebo porcií.
3. Potvrďte stlačením tlačidla ŠTART/RÝCHLY ŠTART.

Ponuky automatického varenia:

Kód	Jedlo	Hmotnosť/množstvo	Poznámka
- A - 01	Mlieko/káva/čaj (200 ml/šálka)	1 šálka	Na displeji sa namiesto hmotnosti
		2 šálky	

Kód	Jedlo	Hmotnosť/množstvo	Poznámka
		3 šálky	potravín zobrazí počet porcií
A-02	špagety	100 kg	
		200 g	
		300 g	
- A - 03	Zemiak	100 kg	
		200 g	
		300 g	
A-04	Automatický opätovný ohrev	200 kg	
		300 g	
		400 g	
		500 g	
		600 g	
		700 g	
		800 g	
A-05	Ryba	200 g	
		300 g	
		400 g	
		500 g	
		600 g	
A-06	Pukance	100 kg	
A-07	Kura	800 kg	Počas pečenia sa rúra zastaví, aby pripomenula používateľovi, že má jedlo otočiť, potom stlačte tlačidlo START/QUICK START, aby ste pokračovali
		900 kg	
		1000 g	
		1100 g	
		1200 g	
A-08	Hovädzie mäso/mäso	200 kg	
		300 g	
		400 g	

Kód	Jedlo	Hmotnosť/množstvo	Poznámka
		500 g	
		600 g	
A-09	Mäso na špíze	100 kg	Počas pečenia sa rúra zastaví, aby pripomenula používateľovi, že má jedlo otočiť, potom stlačte tlačidlo START/QUICK START, aby ste pokračovali
		200 kg	
		300 g	
		400 g	
		500 g	
A-10	polievka	200 kg	
		400 g	
		600 g	
A-11	Ovsená kaša	50 kg	
		100 g	
		150 g	
A-12	Čerstvá zelenina	200 kg	
		300 g	
		400 g	
		500 g	
		600 g	
A-13	MRAZENÁ ZELENINA	200 kg	
		300 g	
		400 g	
		500 g	
		600 g	
A-14	Ryža	150 kg	
		300 g	
		450 g	
		600 g	
A-15	Pizza	150 kg	
		300 g	

Kód	Jedlo	Hmotnosť/množstvo	Poznámka
		450 g	
A-16	Grilovaná ryba *	200 kg	Počas pečenia sa rúra zastaví, aby pripomenula používateľovi, že má jedlo otočiť, potom stlačte tlačidlo START/QUICK START, aby ste pokračovali
		300 kg	
		400 g	
		500 g	
		600 g	
A-17	Grilovaná slanina	100 kg	
		200 g	
		300 g	
A-18	Párky a salámy	100 kg	Počas pečenia sa rúra zastaví, aby pripomenula používateľovi, že má jedlo otočiť, potom stlačte tlačidlo START/QUICK START, aby ste pokračovali
		200 kg	
		300 g	
		400 g	
		500 g	
A-19	Autoclean/(výkon by bol plný kvapky vody vo vnútri dutiny)		

Výsledok automatického varenia závisí od takých faktorov, ako je tvar a veľkosť jedla, vaša osobná preferencia, pokiaľ ide o prepečenie určitých jedál, a dokonca aj od toho, ako umiestnite jedlo v rúre. Ak zistíte, že výsledok nie je v žiadnom prípade úplne uspokojivý, jemne podľa toho upravte čas prípravy jedla.

ČISTENIE A ÚDRŽBA

1. Vypnite rúru a pri čistení odpojte napájací kábel zo zásuvky.
2. Udržujte vnútro rúry čisté. Keď sa rozstreknuté alebo rozliate tekutiny prilepia na steny rúry, utrite ich vlhkou handričkou. Ak sa rúra veľmi zašpiní, môžu sa použiť jemné čistiace prostriedky. Nepoužívajte spreje ani iné silné čistiace prostriedky. Môžu zanechať na povrchu dvierok škvŕny, šmuhy alebo ho môžu zmatnieť.
3. Vonkajší povrch rúry by sa mal čistiť vlhkou handričkou. Aby sa zabránilo poškodeniu obslužných častí vo vnútri rúry, voda nesmie presiaknuť do vetracích otvorov.
4. Dvierka a okienko na oboch stranách, tesnenia dvierok a príslušné časti často utierajte vlhkou handričkou, aby ste odstránili všetky rozliate alebo rozstreknuté tekutiny. Nepoužívajte abrazívny čistiaci prostriedok.
5. Parný čistič sa nepoužíva.
6. Nedovoľte, aby sa ovládací panel namočil. Vyčistite ho mäkkou, vlhkou handričkou. Pri čistení ovládacieho panela nechajte dvierka rúry otvorené, aby sa zabránilo náhodnému zapnutiu rúry.
7. Ak sa para nahromadí vo vnútri alebo okolo dvierok rúry, utrite ju mäkkou handričkou. Toto môže nastať, ak je mikrovlnná rúra v prevádzke pri vysokej vlhkosti. Je to bežný jav.
8. Občas je potrebné vybrať sklenený tanier a očistiť ho. Umyte tanier v teplej mydlovej vode alebo v umývačke riadu.
9. Valčekový prstenec a dno rúry by sa mali pravidelne čistiť, aby sa zabránilo nadmernému hluku. Jednoducho utrite dno rúry jemným čistiacim prostriedkom. Valčekový prstenec sa môže umývať v jemnej mydlovej vode alebo v umývačke riadu. Pri demontáži valčekového prstenca ho nezabudnite dať naspäť v správnej polohe.
10. Zápach z rúry odstránite kombináciou šálky vody so šťavou a kožou jedného citrónu v miske do mikrovlnnej rúry. Zapnite mikrovlnnú rúru na 5 minút. Dôkladne ju utrite a vysušte mäkkou handričkou.
11. Ak sa vypáli žiarovka, požiadajte zákaznícky servis o jej výmenu.
12. Rúra by sa mala pravidelne čistiť a všetky usadeniny potravín by sa mali odstrániť. Neudržiavanie rúry v čistom stave môže viesť k poškodeniu povrchu, ktoré by mohlo nepriaznivo ovplyvniť životnosť zariadenia a spôsobiť nebezpečenstvo.
13. Tento spotrebič nevyhadzujte do domáceho odpadu. Mal by byť zlikvidovaný v špeciálnom zbernom dvore, ktorý zriadila obec.
14. Pri prvom použití mikrovlnnej rúry s funkciou grilu sa môže vytvoriť mierny dym a zápach. Je to bežný jav, pretože rúra je vyrobená z oceľového plechu potiahnutého mazacím olejom a nová rúra bude produkovať výpary a zápach, ktorý vzniká spaľovaním mazacieho oleja. Tento jav zmizne po určitej dobe používania.



Tento spotrebič je označený v súlade s európskou smernicou 2012/19/EÚ o predpisoch o odpade z elektrických a elektronických zariadení z roku 2013 týkajúcich sa elektrických a elektronických spotrebičov (OEEZ). OEEZ sa zaoberá znečisťujúcimi látkami (ktoré môžu mať negatívny vplyv na životné prostredie) a základnými prvkami (ktoré sa môžu znovu použiť). Je dôležité, aby OEEZ podstúpili osobitné úpravy na správne odstránenie a likvidáciu znečisťujúcich látok a obnovu všetkých materiálov. Jednotlivci môžu

zohrávať dôležitú rolu pri zabezpečovaní toho, aby sa z OEEZ nestal problém životného prostredia; potrebné je dodržiavať niekoľko základných pravidiel:

- s OEEZ sa nesmie nakladať ako s domovým odpadom;
- OEEZ sa musia odvážať do vyhradených zberných oblastí spravovaných mestskou radou alebo registrovanou spoločnosťou.

V mnohých krajinách môžu byť k dispozícii pre veľké OEEZ strediská zberu domového odpadu. Keď si kúpite nový spotrebič, starý spotrebič sa môže vrátiť dodávateľovi, ktorý ho musí prijať bezplatne ako jednorazovú záležitosť, pokiaľ je spotrebič ekvivalentného typu a má rovnaké funkcie ako zakúpený spotrebič.